

ADJUSTABLE SWIVEL RING

Figure 800

Designed for the support of non-insulated static pipe lines. The swivel nut is knurled to provide a gripping surface when adjusting the pipe elevation.

Compliance: Federal Specification A-A-1192A Type 10, MSS SP-69 Type 10, Underwriters Laboratory listed, and Factory Mutual approved (¾" through 8").

We also offer Swivel Ring hangers that are for Copper Tubing (Figure 800CT), PVC coated (Figure 800PVC), and for NFPA requirements (Figure 800FP), in this catalog.

Material: Carbon Steel.

Finish: Electro-Galvanized.

Ordering: Specify pipe size, figure number, and finish. For Metric applications specify Figure M800.

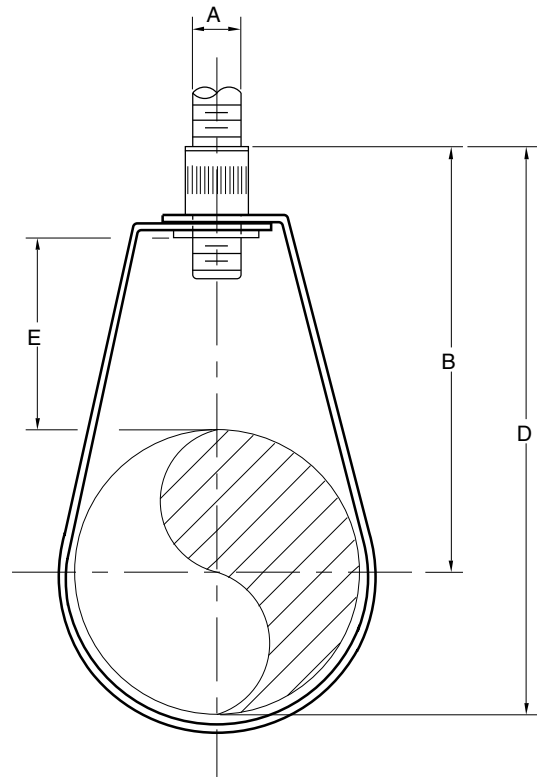


FIGURE 800 – ADJUSTABLE SWIVEL RING

PIPE SIZE	MAXIMUM LOAD	A	B	D	E	WEIGHT EACH
½	300	⅜	2¼	3⅞	1⅞	0.09
10	1335	M10	70	78	37	0.04
¾	300	⅜	2½	3⅞	1⅞	0.10
20	1335	M10	64	78	29	0.05
1	300	⅜	2½	3⅞	1	0.10
25	1335	M10	64	81	25	0.05
1¼	300	⅜	2⅝	3⅞	1⅞	0.10
32	1335	M10	71	90	27	0.05
1½	300	⅜	3⅜	3⅞	1⅞	0.11
40	1335	M10	79	98	27	0.05
2	300	⅜	3⅝	4⅞	1⅞	0.12
50	1335	M10	84	111	29	0.05
2½	600	½	3⅞	5⅞	1¼	0.32
65	2669	M12	94	130	32	0.15
3	600	½	4	5⅞	1⅞	0.35
80	2669	M12	102	149	29	0.16
3½	600	½	4⅞	6⅞	1½	0.39
90	2669	M12	110	168	38	0.18
4	1000	⅝	4⅞	7⅞	1¼	0.43
100	4448	M16	125	181	32	0.20
5	1000	⅝	5⅞	8⅞	1⅞	0.65
125	4448	M16	143	216	35	0.29
6	1250	¾	6⅞	10⅞	2	1.09
150	5560	M20	170	257	51	0.49
8	1800	⅞	8⅞	12⅞	2⅞	1.24
200	8007	M20	211	327	67	0.56

DIMENSIONS		TEMPERATURE	LOADS	WEIGHT
INCHES	FAHRENHEIT	POUNDS	POUNDS	
MILLIMETERS	CELSIUS	NEWTONS	KILOGRAMS	

PIPE ATTACHMENTS

COPPER TUBING SWIVEL RING

Figure 800CT

Designed for the support of non-insulated static copper tubing lines. The swivel nut is knurled to provide a gripping surface when adjusting the tubing elevation.

Compliance: Federal Specification A-A-1192A Type 10, MSS SP-69 Type 10.

We also offer Swivel Ring hangers that are for carbon steel pipe (Figure 800), PVC coated (Figure 800PVC), and for NFPA requirements (Figure 800FP), in this catalog.

Material: Carbon Steel.

Finish: Copper.

Ordering: Specify copper tubing size and figure number. For Metric applications specify Figure M800CT.

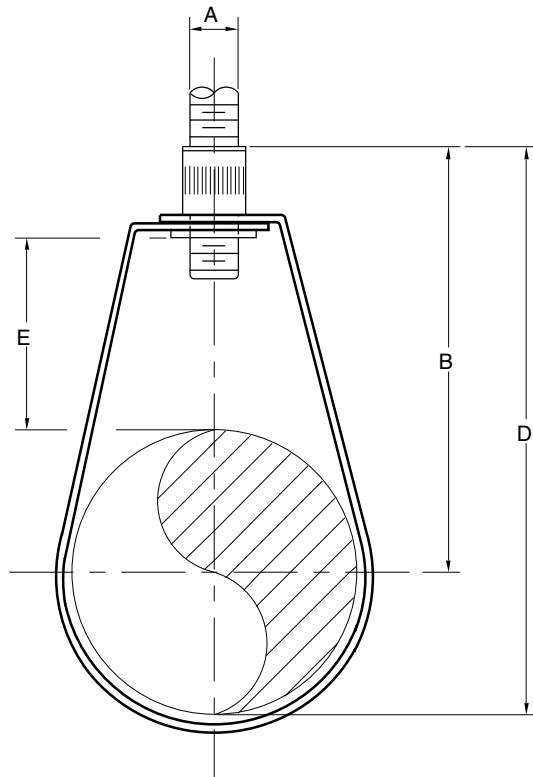


FIGURE 800CT - ADJUSTABLE SWIVEL RING

PIPE SIZE	MAXIMUM LOAD	A	B	D	E	WEIGHT EACH
½	300	⅜	2⅝	3¼	1⅛	0.11
15	1335	M10	60	83	43	0.05
¾	300	⅜	2⅝	3⅝	1⅜	0.11
20	1335	M10	60	79	35	0.05
1	300	⅜	2½	3⅝	1	0.11
25	1335	M10	64	79	25	0.05
1¼	300	⅜	2¾	3¾	1⅝	0.13
32	1335	M10	70	83	24	0.06
1½	300	⅜	2⅞	3⅝	1⅜	0.13
40	1335	M10	75	92	29	0.06
2	300	⅜	3⅛	4⅞	1⅞	0.15
50	1335	M10	84	105	27	0.07
2½	525	⅜	4	4⅝	1⅞	0.16
65	2335	M10	102	117	29	0.07
3	525	½	4⅞	5⅞	1⅞	0.32
80	2335	M12	116	141	33	0.15
3½	525	½	4⅞	5⅞	1⅞	0.35
90	2335	M12	116	149	29	0.16
4	650	½	5⅞	6½	1⅞	0.38
100	2891	M12	141	165	30	0.17
5	1000	½	6¼	8⅝	1⅞	0.58
125	4448	M12	159	213	41	0.26
6	1000	½	7⅞	9⅞	2¼	0.92
150	4448	M12	183	249	57	0.42

DIMENSIONS		TEMPERATURE	LOADS	WEIGHT
INCHES	FAHRENHEIT		POUNDS	POUNDS
MILLIMETERS	CELSIUS		NEWTONS	KILOGRAMS

NFPA SWIVEL RING

Figure 800FP

Designed for the support of non-insulated static pipe lines. The swivel nut is knurled to provide a gripping surface when adjusting the tubing elevation and is tapped to the reduced rod standards of NFPA.

Compliance: Federal Specification A-A-1192A Type 10, MSS SP-69 Type 10, Underwriters Laboratory listed, and Factory Mutual approved (¾" through 8"), and NFPA standards.

We also offer Swivel Ring hangers that are for standard commercial pipe (Figure 800), copper tubing (Figure 800CT), and PVC coated (Figure 800PVC), in this catalog.

Material: Carbon Steel.

Finish: Electro-Galvanized.

Ordering: Specify pipe size, figure number and finish. For Metric applications specify Figure M800N.

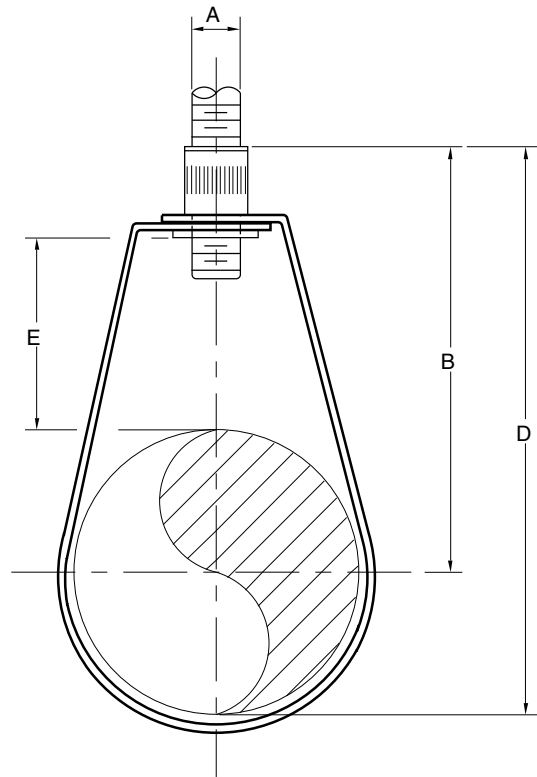


FIGURE 800FP – NFPA ADJUSTABLE SWIVEL RING

PIPE SIZE	MAXIMUM LOAD	A	B	D	E	WEIGHT EACH
½	300	⅜	2¾	3⅞	1⅞	0.09
10	1335	M10	70	78	37	0.04
¾	300	⅜	2½	3⅞	1⅞	0.10
20	1335	M10	64	78	29	0.05
1	300	⅜	2½	3⅞	1	0.10
25	1335	M10	64	81	25	0.05
1¼	300	⅜	2⅜	3⅞	1⅞	0.10
32	1335	M10	71	90	27	0.05
1½	300	⅜	3⅞	3⅞	1⅞	0.11
40	1335	M10	79	98	27	0.05
2	300	⅜	3⅞	4⅞	1⅞	0.12
50	1335	M10	84	111	29	0.05
2½	525	⅜	3⅞	5	1¼	0.25
65	2335	M10	94	127	32	0.11
3	525	⅜	3¾	5⅞	1⅞	0.30
80	2335	M10	95	141	29	0.14
3½	525	⅜	4⅞	6⅞	1½	0.33
90	2335	M10	110	160	38	0.15
4	650	⅜	4½	7	1⅞	0.41
100	2891	M10	114	178	41	0.19
5	1000	½	5⅞	8⅞	2¼	0.58
125	4448	M12	143	213	57	0.26
6	1000	½	6⅞	9⅞	2⅞	0.92
150	4448	M12	165	249	62	0.42
8	1000	½	7⅞	12¼	2⅞	1.16
200	4448	M12	202	311	67	0.53

DIMENSIONS		TEMPERATURE	LOADS	WEIGHT
INCHES	FAHRENHEIT	POUNDS	POUNDS	
MILLIMETERS	CELSIUS	NEWTONS	KILOGRAMS	

PIPE ATTACHMENTS

PVC COATED ADJUSTABLE SWIVEL RING

Figure 800PVC

Designed for the support of non-insulated static pipe lines and to protect the pipe from coming into direct contact with the hanger by having the contact surface PVC coated.. The swivel nut is knurled to provide a gripping surface when adjusting the pipe elevation.

Compliance: Federal Specification A-A-1192A Type 10, MSS SP-69 Type 10, Underwriters Laboratory listed, and Factory Mutual approved (3/4" through 8").

We also offer Swivel Ring hangers that are for Copper Tubing (Figure 800CT) and for NFPA requirements (Figure 800FP) in this catalog.

Operating temperature should not exceed 140° F / 60° C.

Material: Carbon Steel.

Finish: Electro-Galvanized.

Ordering: Specify pipe size, and figure number.

For Metric applications specify Figure M800PVC.

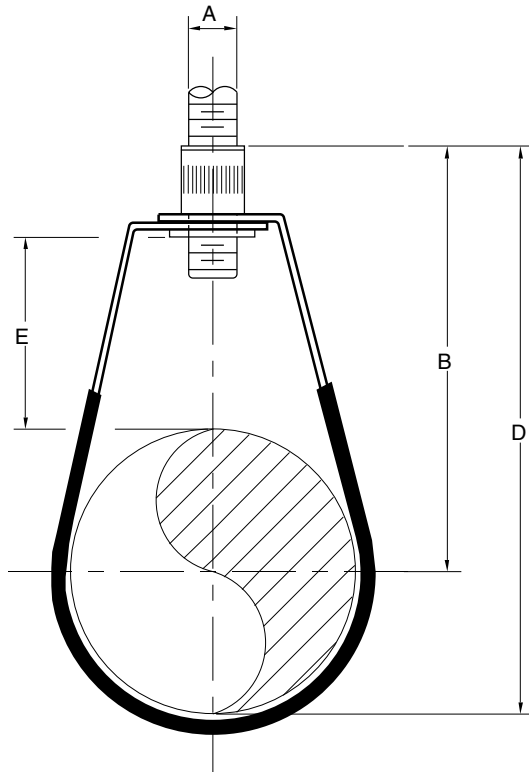


FIGURE 800PVC - PVC COATED ADJUSTABLE SWIVEL RING

PIPE SIZE	MAXIMUM LOAD	A	B	D	E	WEIGHT EACH
½	300	⅜	2¾	3⅝	1⅞	0.11
10	1335	M10	70	78	37	0.05
¾	300	⅜	2½	3⅝	1¾	0.13
20	1335	M10	64	78	29	0.06
1	300	⅜	2½	3⅝	1	0.13
25	1335	M10	64	81	25	0.06
1¼	300	⅜	2⅜	3⅝	1⅞	0.15
32	1335	M10	71	90	27	0.07
1½	300	⅜	3⅜	3⅝	1⅞	0.17
40	1335	M10	79	98	27	0.08
2	300	⅜	3⅝	4⅜	1½	0.18
50	1335	M10	84	111	29	0.08
2½	600	½	3⅞	5⅝	1¼	0.34
65	2669	M12	94	130	32	0.15
3	600	½	4	5⅝	1¾	0.39
80	2669	M12	102	149	29	0.18
3½	600	½	4⅞	6⅝	1½	0.42
90	2669	M12	110	168	38	0.19
4	1000	⅝	4⅞	7⅝	1¼	0.48
100	4448	M16	125	181	32	0.22
5	1000	⅝	5⅝	8⅝	1¾	0.69
125	4448	M16	143	216	35	0.31
6	1250	¾	6⅞	10⅝	2	1.13
150	5560	M20	170	257	51	0.51
8	1800	⅞	8⅞	12⅝	2⅝	1.29
200	8007	M20	211	327	67	0.59

DIMENSIONS		TEMPERATURE	LOADS	WEIGHT
INCHES	FAHRENHEIT		POUNDS	POUNDS
MILLIMETERS	CELSIUS		NEWTONS	KILOGRAMS