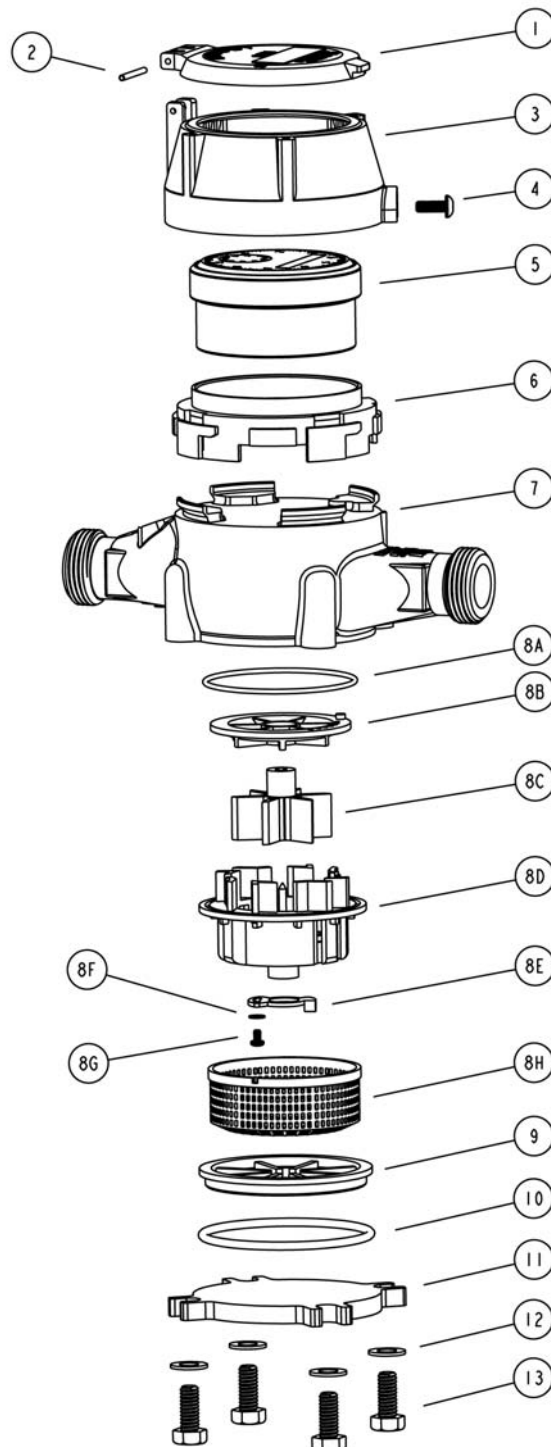


ZENNER PERFORMANCE

Multi-Jet Type Cold Water Meters Parts List Models PMN 01, PMN 02, PMN 03

NO.	DESCRIPTION	QTY
1-B	REGISTER COVER - BRASS	1
1-P	REGISTER COVER - PLASTIC	1
2	REGISTER COVER HINGE PIN	1
3-B	REGISTER SHROUD - BRASS	1
3-P	REGISTER SHROUD - PLASTIC	1
4	TAMPER SCREW	1
5-CF	REGISTER (CUBIC FEET)	1
5-CM	REGISTER (CUBIC METERS)	1
5-US	REGISTER (U.S. GALLONS)	1
6	SHROUD RETAINING RING	1
7	HOUSING	1
8	CHAMBER ASSEMBLY COMPLETE	1
8A	O-RING, CHAMBER SEAL	1
8B	CALIBRATION PLATE, TOP	1
8C	IMPELLER	1
8D	IMPELLER HOUSING	1
8E	CALIBRATION PLATE, BOTTOM	1
8F	WASHER, FLAT, CAL PLATE	1
8G	SCREW, PAN HEAD, CAL PLATE	1
8H	STRAINER	1
9	SEAL RETAINER	1
10	O-RING, BOTTOM PLATE SEAL	1
11-B	BOTTOM PLATE, BRASS	1
11-C	BOTTOM PLATE, CAST IRON EPOXY COATED	1
12	WASHER, FLAT, SS	4
13	BOLT, HEX HEAD, SS	4

Sizes: 5/8 x 1/2, 5/8 x 3/4, 3/4"SL

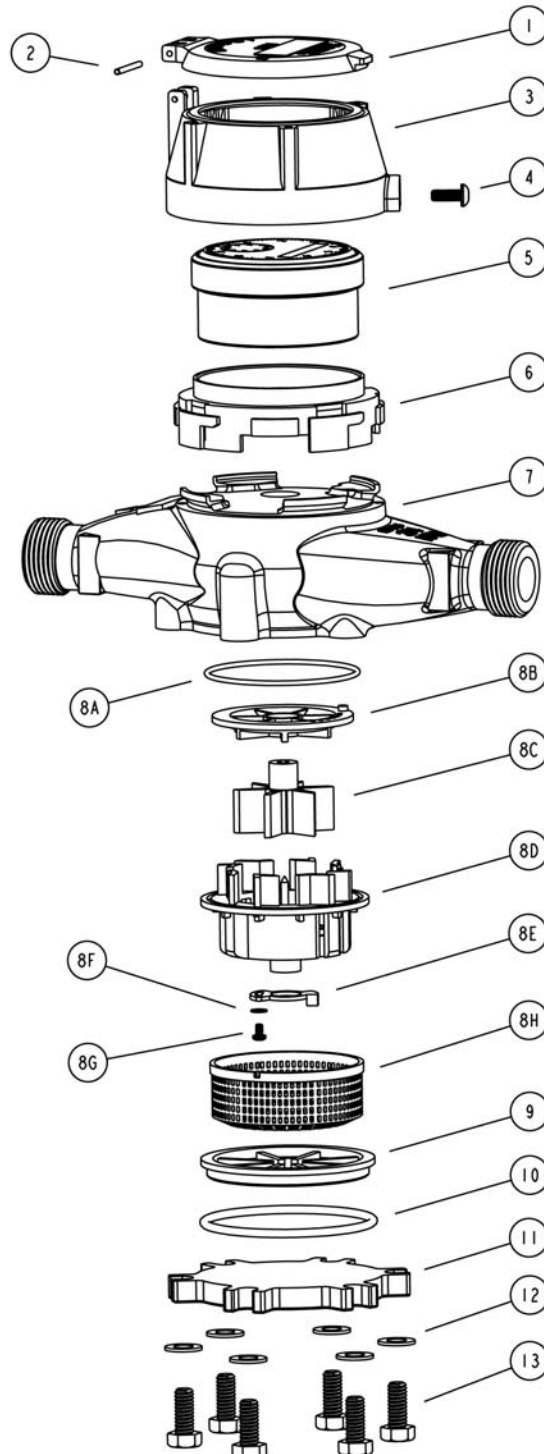


ZENNER PERFORMANCE

Multi-Jet Type Cold Water Meters Parts List Models PMN 04, PMN 05

NO.	DESCRIPTION	QTY
1-B	REGISTER COVER - BRASS	1
1-P	REGISTER COVER - PLASTIC	1
2	REGISTER COVER HINGE PIN	1
3-B	REGISTER SHROUD - BRASS	1
3-P	REGISTER SHROUD - PLASTIC	1
4	TAMPER SCREW	1
5-CF	REGISTER (CUBIC FEET)	1
5-CM	REGISTER (CUBIC METERS)	1
5-US	REGISTER (U.S. GALLONS)	1
6	SHROUD RETAINING RING	1
7	HOUSING	1
8	CHAMBER ASSEMBLY COMPLETE	1
8A	O-RING, CHAMBER SEAL	1
8B	CALIBRATION PLATE, TOP	1
8C	IMPELLER	1
8D	IMPELLER HOUSING	1
8E	CALIBRATION PLATE, BOTTOM	1
8F	WASHER, FLAT, CAL PLATE	1
8G	SCREW, PAN HEAD, CAL PLATE	1
8H	STRAINER	1
9	SEAL RETAINER	1
10	O-RING, BOTTOM PLATE SEAL	1
11	BOTTOM PLATE, BRASS	1
12	WASHER, FLAT, SS	6
13	BOLT, HEX HEAD, SS	6

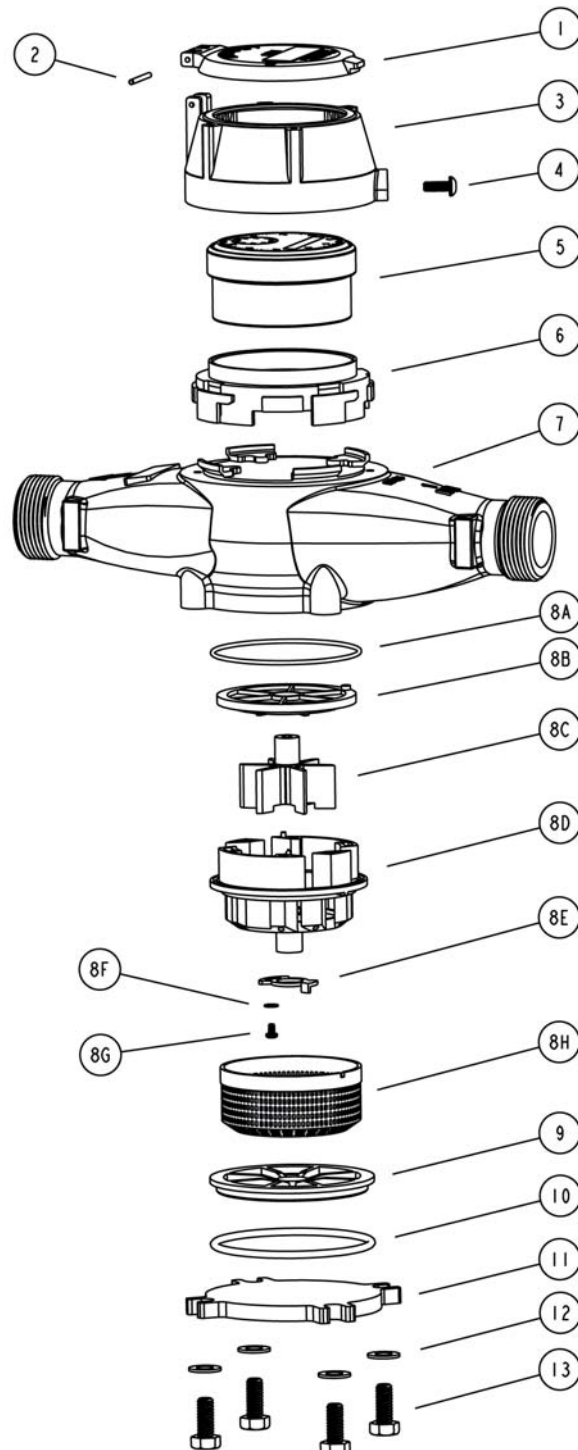
Sizes: 3/4" x 3/4", 3/4" x 1"



ZENNER PERFORMANCE
Multi-Jet Type Cold Water Meters Parts List Model PMN 07

NO.	DESCRIPTION	QTY
1-B	REGISTER COVER - BRASS	1
1-P	REGISTER COVER - PLASTIC	1
2	REGISTER COVER HINGE PIN	1
3-B	REGISTER SHROUD - BRASS	1
3-P	REGISTER SHROUD - PLASTIC	1
4	TAMPER SCREW	1
5-CF	REGISTER (CUBIC FEET)	1
5-CM	REGISTER (CUBIC METERS)	1
5-US	REGISTER (U.S. GALLONS)	1
6	SHROUD RETAINING RING	1
7	HOUSING	1
8	CHAMBER ASSEMBLY COMPLETE	1
8A	O-RING, CHAMBER SEAL	1
8B	CALIBRATION PLATE, TOP	1
8C	IMPELLER	1
8D	IMPELLER HOUSING	1
8E	CALIBRATION PLATE, BOTTOM	1
8F	WASHER, FLAT, CAL PLATE	1
8G	SCREW, PAN HEAD, CAL PLATE	1
8H	STRAINER	1
9	SEAL RETAINER	1
10	O-RING, BOTTOM PLATE SEAL	1
11-B	BOTTOM PLATE, BRASS	1
11-C	BOTTOM PLATE, CAST IRON EPOXY COATED	1
12	WASHER, FLAT, SS	4
13	BOLT, HEX HEAD, SS	4

Size: 1"

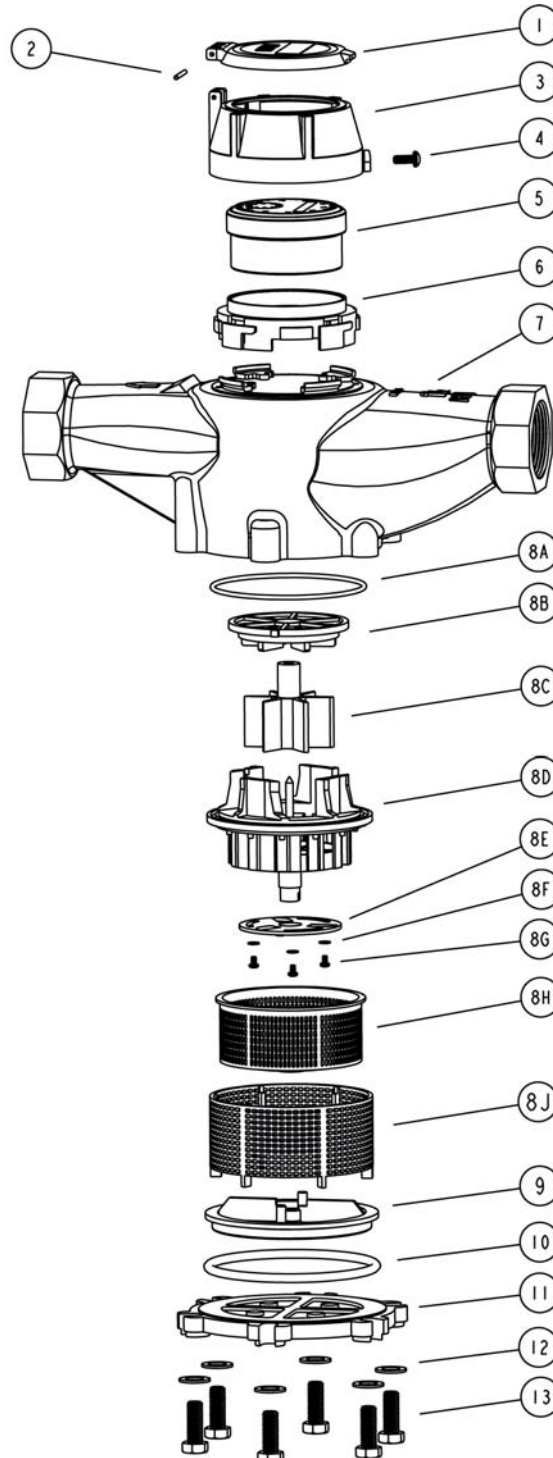


ZENNER PERFORMANCE

Multi-Jet Type Cold Water Meters Parts List Models PMN 08, PMN 11

NO.	DESCRIPTION	QTY
1-B	REGISTER COVER - BRASS	1
1-P	REGISTER COVER - PLASTIC	1
2	REGISTER COVER HINGE PIN	1
3-B	REGISTER SHROUD - BRASS	1
3-P	REGISTER SHROUD - PLASTIC	1
4	TAMPER SCREW	1
5-CF	REGISTER (CUBIC FEET)	1
5-CM	REGISTER (CUBIC METERS)	1
5-US	REGISTER (U.S. GALLONS)	1
6	SHROUD RETAINING RING	1
7	HOUSING	1
8	CHAMBER ASSEMBLY COMPLETE	1
8A	O-RING, CHAMBER SEAL	1
8B	IMPELLER HOUSING TOP PLATE	1
8C	IMPELLER	1
8D	IMPELLER HOUSING	1
8E	CLAIBRATION PLATE	1
8F	WASHER, FLAT, SS, CAL PLATE	3
8G	SCREW, PAN HEAD, SS, CAL PLATE	3
8H	STRAINER, INSIDE	1
8J	STRAINER, OUTSIDE	1
9	SEAL RETAINER	1
10	O-RING, BOTTOM PLATE SEAL	1
11	BOTTOM PLATE, BRASS	1
12	WASHER, FLAT, SS	6
13	BOLT, HEX HEAD, SS,	6

Size: 1-1/2" and 2"

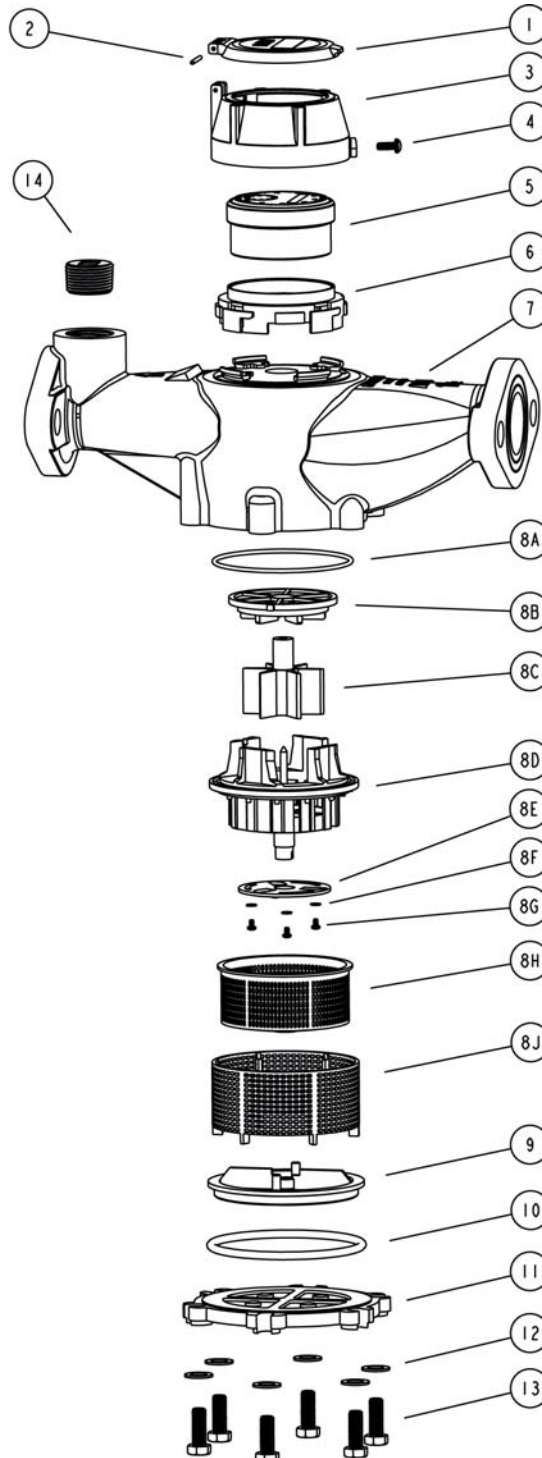


ZENNER PERFORMANCE

Multi-Jet Type Cold Water Meters Parts List Model PMN 09, PMN 12

NO.	DESCRIPTION	QTY
1-B	REGISTER COVER - BRASS	1
1-P	REGISTER COVER - PLASTIC	1
2	REGISTER COVER HINGE PIN	1
3-B	REGISTER SHROUD - BRASS	1
3-P	REGISTER SHROUD - PLASTIC	1
4	TAMPER SCREW	1
5-CF	REGISTER (CUBIC FEET)	1
5-CM	REGISTER (CUBIC METERS)	1
5-US	REGISTER (U.S. GALLONS)	1
6	SHROUD RETAINING RING	1
7	HOUSING	1
8	CHAMBER ASSEMBLY COMPLETE	1
8A	O-RING, CHAMBER SEAL	1
8B	IMPELLER HOUSING TOP PLATE	1
8C	IMPELLER	1
8D	IMPELLER HOUSING	1
8E	CLAIBRATION PLATE	1
8F	WASHER, FLAT, SS, CAL PLATE	3
8G	SCREW, PAN HEAD, SS, CAL PLATE	3
8H	STRAINER, INSIDE	1
8J	STRAINER, OUTSIDE	1
9	SEAL RETAINER	1
10	O-RING, BOTTOM PLATE SEAL	1
11	BOTTOM PLATE, BRASS	1
12	WASHER, FLAT, SS	6
13	BOLT, HEX HEAD, SS	6
14	TEST PLUG, BRASS, 1"	1

Size: 1-1/2" and 2"



ZENNER PERFORMANCE

15280 Addison Rd #340, Addison, TX 75001, (972) 386-6611, Fax (972) 386-1814

www.zennerusa.com