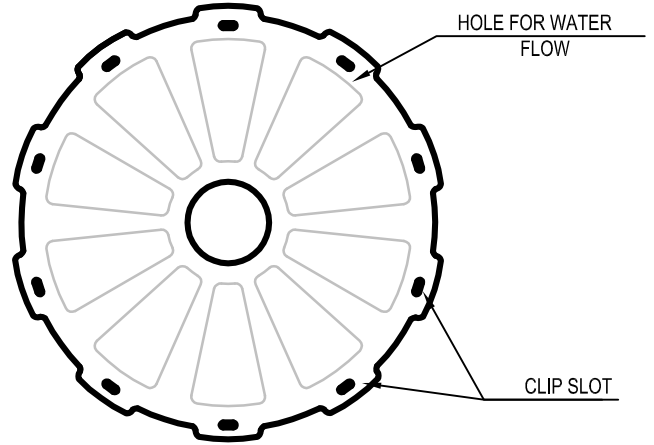


SNAPPABLE
FRICTION FINGERS

SIDE VIEW



HOLE FOR WATER
FLOW

CLIP SLOT

TOP VIEW

FILTER OPTIONS

FILTER IS AVAILABLE IN TWO OPTIONS:

- 1) ALL HIGH-FLOW FILTER
- 2) HIGH-FLOW MATERIAL ON TOP $\frac{2}{3}$, HIGH-EFFICIENCY MATERIAL ON BOTTOM $\frac{1}{3}$

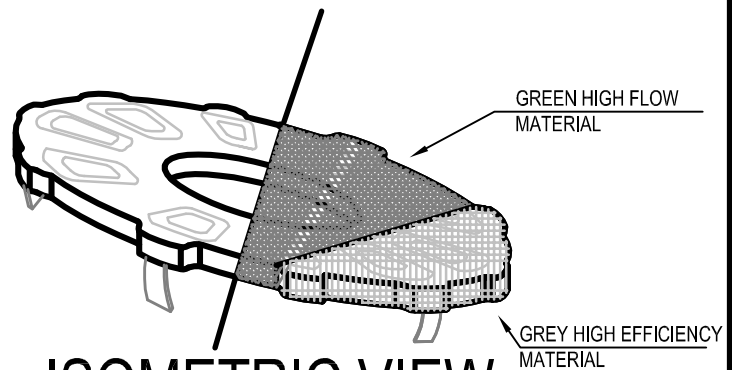
IT IS THE PURCHASERS RESPONSIBILITY TO PURCHASE APPROPRIATE FILTER.

FILTER INSTALLATION

FILTER SLIDES DIRECTLY OVER FILTER FRAME. FRICTION FINGERS PROVIDE A SNUG FIT TO KEEP FILTER FRAME IN PLACE OVER STORM STRUCTURE. EVERY FILTER COMES IN ONE PIECE FOR EASY INSTALLATION.

MAINTENANCE

ALL TEMPORARY EROSION, SEDIMENTATION, & POLLUTION CONTROL PRACTICES SHOULD BE INSPECTED DAILY. CONTRACTOR SHALL REMOVE SEDIMENT AND DISPOSE OF IN A PROPER MANNER. INSPECT FRAME AND FILTER DAILY FOR CUTS, ABRASIONS, AND PROPER INSTALLATION. REPLACE OR REPOSITION AS NECESSARY.



ISOMETRIC VIEW

REPLACEMENT FILTERS: MODEL PSF DOT/HF

PIPE STOPPER

SEDIMENT CONTROL FOR ALL HORIZONTAL PIPES

STOCK SIZES: 15", 18", 24", 30"

FRAME MATERIAL: BLACK 0.25" HMWPE

FILTER FABRIC MATERIAL: REFER TO SPEC

SCALE: NOT TO SCALE

LAST UPDATED: MAY 2016