

TBB Series Commercial True Union Ball Valves

1/2" TO 4" PVC, CPVC, PP AND PVDF

KEY FEATURES

- PVC, CPVC, PP and PVDF
- Full Port Design
- FPM or EPDM Seals
- PTFE Seats
- Double O-Ring Stem Seals
- Adjustable Seat Retainer



TECHNICAL INFORMATION

SELECTION CHART

SIZE	MATERIAL	END CONNECTION	SEALS	PRESSURE RATING
1/2" - 4" (DN15 - DN100)	PVC or CPVC	Socket, Threaded or Flanged*	FPM or EPDM	225 PSI @ 70°F Non-Shock
	PP	Threaded or Flanged	FPM	150 PSI @ 70°F Non-Shock
	PVDF			

* All flanged valves are rated to 150 PSI @ 70°F Non-Shock

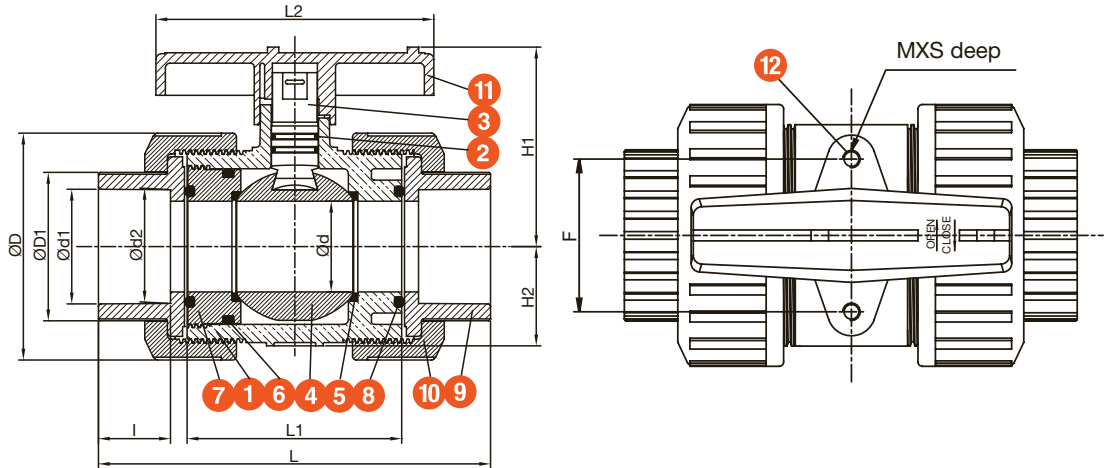
TBB Series True Union Commercial Ball Valves

1/2" TO 4" PVC, CPVC, PP AND PVDF

TECHNICAL INFORMATION, CONTINUED

PARTS LIST

1. Body
2. Stem O-Ring
3. Stem
4. Ball
5. Seat Seal
6. Carrier O-Ring
7. Seal Carrier
8. Union O-Ring
9. End Connector
10. Union Nut
11. Handle
12. Inserted Nut

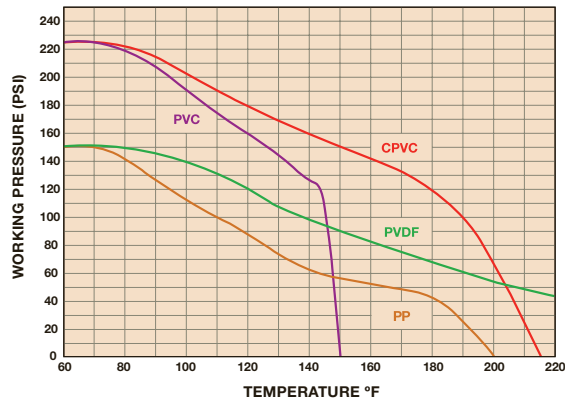


DIMENSIONS

SIZE in/DN	d1 in/mm	d2 in/mm	I in/mm	D in/mm	D1 in/mm	d in/mm	L in/mm	L1 in/mm	L2 in/mm	H1 in/mm	H2 in/mm	F in/mm
1/2/15	.85/22	.84/21	.87/22	1.83/46	1.23/31	.51/13	4.49/114	2.36/60	3.07/78	1.85/47	.81/21	1.2/30
3/4/20	1.06/27	1.05/27	1.00/25	2.17/55	1.46/37	.71/18	5.31/135	2.87/73	3.62/92	2.24/57	1.02/26	1.3/33
1/25	1.32/34	1.31/33	1.13/29	2.60/66	1.75/44	.91/23	5.87/149	3.11/79	3.94/100	2.60/66	1.30/33	1.6/41
1-1/4/32	1.67/42	1.66/42	1.25/32	3.23/82	2.13/54	1.18/30	6.61/168	3.46/88	4.33/110	2.91/74	1.50/38	1.9/48
1-1/2/40	1.91/49	1.89/48	1.38/35	3.86/98	2.54/65	1.50/38	6.89/175	3.72/94	4.76/121	3.43/87	1.57/40	2.0/51
2/50	2.39/61	2.37/60	1.50/38	4.72/120	3.09/78	1.89/48	8.15/207	4.47/114	5.79/147	4.17/106	2.09/53	2.8/71
2-1/2/65	2.89/73	2.87/73	1.75/44	5.51/140	3.60/91	2.40/61	10.83/275	5.43/138	7.09/180	4.57/116	N/A	N/A
3/80	3.52/89	3.49/89	1.88/48	6.42/163	4.23/107	2.70/69	11.97/304	6.22/158	8.82/224	5.12/130	N/A	N/A
4/100	4.52/115	4.49/114	2.25/57	8.86/225	5.73/146	3.90/99	13.03/331	6.93/176	10.94/278	7.01/178	N/A	N/A

Dimensions are subject to change without notice – consult factory for installation information

OPERATING TEMPERATURE/PRESSURE



Hayward is a registered trademark of Hayward Industries, Inc. © 2015 Hayward Industries, Inc.

Contact Hayward Flow Control with questions: **USA:** 1-888-429-4635 • Fax: 1-888-778-8410 • One Hayward Industrial Drive • Clemmons, NC 27012 USA
Canada: 1.888.238.7665 • Fax: 1.905.829.3636 • 2880 Plymouth Drive • Oakville, ON L6H 5R4 Canada • Email: hflowcanada@haywardnet.com
 Visit us at: www.haywardflowcontrol.com • E-mail: hflow@haywardnet.com