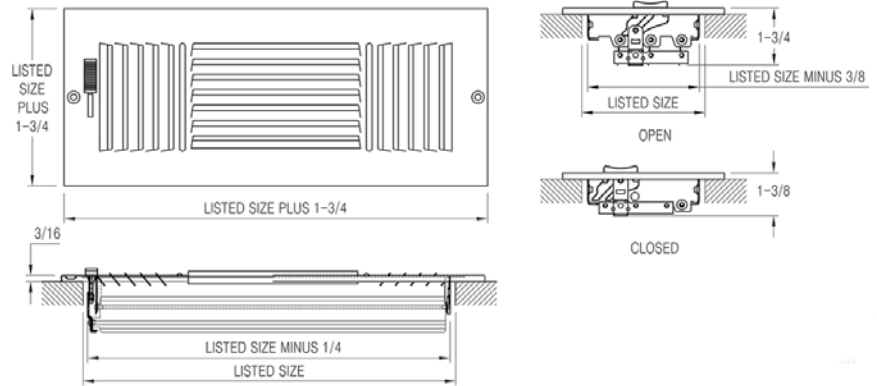




203 - Sidewall/Ceiling 3-Way

- Steel construction
- For sidewall or ceiling application
- Three-way air deflection
- 1/2" Spaced fins
- One-piece stamped face construction
- White durable finish

Available Sizes (in inches)						
HEIGHT	WIDTH					
	6	8	10	12	14	16
4		●	●	●	●	
6	●	●	●	●	●	●
8		●	●	●	●	●
10			●		●	
12				●		
14					●	
16						●



ENGINEERING

203 - SIDEWALL/CEILING 3-WAY

FACE VELOCITY		300	400	500	600	700	800	900	1000
PRESSURE LOSS		0.008	0.012	0.016	0.024	0.032	0.044	0.052	0.064
6 x 6 Ak .118	Total cfm	34	45	56	67	78	90	101	112
	cfm L/S	11/11	15/15	18/19	22/23	25/27	29/30	32/34	36/38
	Throw L/S	4/4	5/4	7/6	8/8	8/8	9/9	10/10	11/11
8 x 4 Ak .11	Total cfm	28	37	47	56	65	74	84	93
	cfm L/S	14/7	18/10	25/11	29/13	34/16	39/18	44/20	49/22
	Throw L/S	4/3	6/4	7/5	8/5	9/6	10/7	11/8	12/9
8 x 6 Ak .149	Total cfm	42	56	71	85	99	113	127	141
	cfm L/S	22/10	29/14	37/17	44/20	51/24	59/27	66/30	73/34
	Throw L/S	4/3	6/4	7/5	8/6	10/7	11/8	12/9	14/10
8 x 8 Ak .211	Total cfm	61	81	101	121	141	162	182	202
	cfm L/S	32/15	42/19	53/24	63/29	74/34	84/39	95/44	105/48
	Throw L/S	5/4	7/5	9/7	10/8	12/9	14/10	15/11	17/12
10 x 4 Ak .121	Total cfm	36	48	60	71	83	95	107	119
	cfm L/S	21/7	30/9	38/11	45/13	53/15	60/17	68/20	76/22
	Throw L/S	4/3	7/4	8/5	9/6	10/7	11/7	13/8	15/9
10 x 6 Ak .193	Total cfm	57	76	95	114	133	152	171	190
	cfm L/S	36/10	49/14	61/17	73/21	85/24	97/27	109/31	122/34
	Throw L/S	6/4	8/5	10/6	11/7	13/8	14/9	16/9	18/10
10 x 8 Ak .29	Total cfm	78	104	130	156	182	208	234	260
	cfm L/S	44/17	58/23	73/29	87/34	102/40	116/46	131/51	146/57
	Throw L/S	7/4	9/6	11/7	13/8	15/9	17/10	19/11	21/12
10 x 10 Ak .320	Total cfm	93	124	155	186	217	249	280	311
	cfm L/S	60/17	80/22	99/28	119/34	139/39	159/45	179/50	199/56
	Throw L/S	7/5	10/6	11/7	13/8	16/9	18/11	20/12	22/13
12 x 4 Ak .152	Total cfm	44	58	73	88	102	117	131	146
	cfm L/S	23/11	30/14	38/18	46/21	53/25	61/28	68/32	76/35
	Throw L/S	4/3	6/4	8/5	9/6	10/7	11/8	13/8	14/9
12 x 6 Ak .236	Total cfm	70	93	116	139	162	186	209	232
	cfm L/S	36/17	48/22	60/28	72/33	84/39	97/45	109/50	121/56
	Throw L/S	6/4	8/6	10/7	12/8	13/9	15/10	17/11	18/12
12 x 8 Ak .33	Total cfm	96	128	160	192	224	256	288	320
	cfm L/S	50/23	67/31	83/38	100/46	116/54	133/61	150/69	166/77
	Throw L/S	7/5	9/6	11/7	13/9	14/10	16/11	18/12	19/13

12 x 12 Ak .483	Total cfm	141	188	235	282	330	377	424	471
	cfm L/S	73/34	98/45	122/56	147/68	171/79	196/90	220/102	245/113
	Throw L/S	8/5	10/7	13/8	15/10	17/11	20/13	22/15	25/16
14 x 4 Ak .178	Total cfm	52	70	87	104	122	139	157	174
	cfm L/S	30/11	40/15	50/19	60/22	69/26	79/30	89/34	99/37
	Throw L/S	5/3	6/5	8/5	10/6	11/7	13/8	15/9	16/10
14 x 6 Ak .296	Total cfm	89	118	148	178	207	237	266	296
	cfm L/S	53/18	71/24	89/30	107/36	127/41	142/47	160/53	178/59
	Throw L/S	7/5	9/6	11/7	14/8	16/10	18/11	21/12	23/13
14 x 8 Ak .395	Total cfm	119	158	198	237	277	316	356	395
	cfm L/S	71/24	95/32	119/40	142/47	166/55	190/63	213/71	237/79
	Throw L/S	7/5	10/6	12/8	14/9	17/10	19/11	22/12	25/14
8 x 6 Ak .152	Total cfm	46	61	76	91	106	122	137	152
	cfm L/S	24/11	31/15	40/18	47/22	55/26	63/29	71/33	79/36
	Throw L/S	4/3	6/4	8/5	9/6	10/7	11/8	13/8	14/9
14 x 10 Ak .465	Total cfm	140	186	233	279	326	372	419	465
	cfm L/S	83/28	111/38	139/47	166/56	194/66	222/75	249/85	277/94
	Throw L/S	7/6	10/7	12/9	14/10	17/11	19/13	22/14	25/16
14 x 14 Ak .667	Total cfm	200	267	334	400	467	534	600	667
	cfm L/S	120/40	160/53	200/67	240/80	280/93	320/107	360/120	400/133
	Throw L/S	10/6	13/8	15/10	19/12	21/14	24/15	28/16	30/18
16 x 8 Ak .445	Total cfm	134	178	223	267	312	356	401	445
	cfm L/S	79/27	106/36	132/45	159/54	185/63	212/72	238/81	265/90
	Throw L/S	7/5	10/6	12/8	14/9	17/10	19/12	22/13	25/15
Terminal Velocity of 75 fpm									