

# 757TLF Ball Valve • Spec Sheet

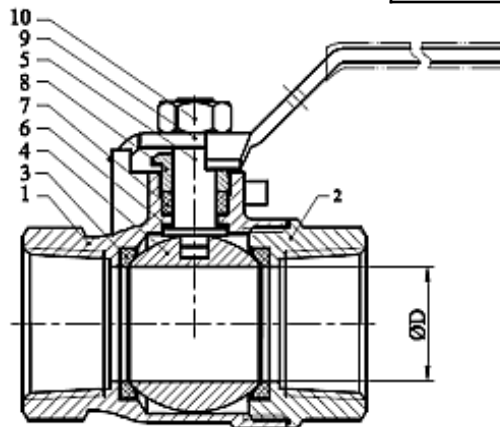
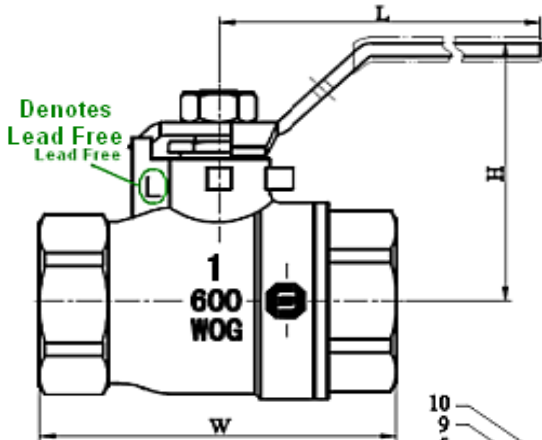


## FEATURES & BENEFITS

- Lead Free Forged Brass\*
- 600 WOG - 150 SWP
- Full Port
- Blow Out Proof Stem
- Threaded Ends Comply with ASME B1.20.1
- Conforms to MSS-SP-110 Specifications
- ISO-9001
- UPC, UL/FM, NSF Approved
- CSA Approved
  - ANSI Z21.15 (½ psi) (CSA 9.1) (1/4" – 2")
  - ASME B16.44 (5 psi) (CR91-002) (1/4" – 2")
  - ASME B16.33 (125 psi) (CGA 3.16) (1/2" – 2")
- Sizes 1/4" - 2"

## DIMENSIONS

Part #	Size	ØD ± 0.15	H	L	W ± 1
757T01LF	1/4"	9.50	34.7	82	46
757T02LF	3/8"	9.50	34.7	82	46
757T03LF	1/2"	12.7	36.7	82	53.7
757T04LF	3/4"	19.0	44.9	100	61.4
757T05LF	1"	25.0	57.6	120	75.1
757T06LF	1-1/4"	30.5	61.8	120	83.4
757T07LF	1-1/2"	38.0	74.8	160	93.1
757T08LF	2"	50.0	86.4	160	107



## MATERIAL SPECIFICATIONS

No.	Part	Material
1	Body	Brass C37700
2	End Cap	Brass C37700
3	Seat	PTFE
4	Ball	Brass C37700
5	Stem	Brass C36000
6	Thrust Washer	PTFE
7	Stem Packing	PTFE
8	Gland	Brass C36000
9	Handle	Carbon Steel
10	Nut	Stainless Steel

\* These product complies with 0.25% weighted average lead content on wetted surfaces in accordance with Safe Water Drinking Act (SDWA) / Federal Public Law No. 111-380.



Global sourcing. National compliance. Local service.

**CALIFORNIA** 5595 Fresca Dr., La Palma CA 90623  
**TEXAS** 1150 Silber Rd., Houston TX 77055  
**ILLINOIS** 278 Windy Point Dr., Glendale Heights, IL 60139  
**GEORGIA** 113 Industrial Blvd., Americus, Georgia 31709  
**NEW YORK** PO Box 27, Rt.22, Brewster NY 10509  
 WEB: [www.matco-norca.com](http://www.matco-norca.com)

• Phone: 866-532-8306 • Fax: 866-532-8307  
 • Phone: 800-935-5456 • Fax: 713-680-2999  
 • Phone: 844-412-5068 • Fax: 800-640-2252  
 • Phone: 800-433-7526 • Fax: 800-533-5134  
 • Phone: 800-431-2082 • Fax: 845-278-9056  
 EMAIL: [mail@matco-norca.com](mailto:mail@matco-norca.com)