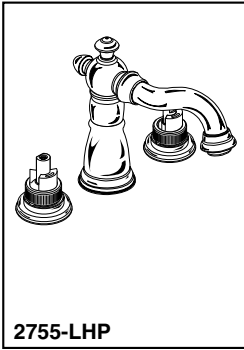




# BATH VALVES

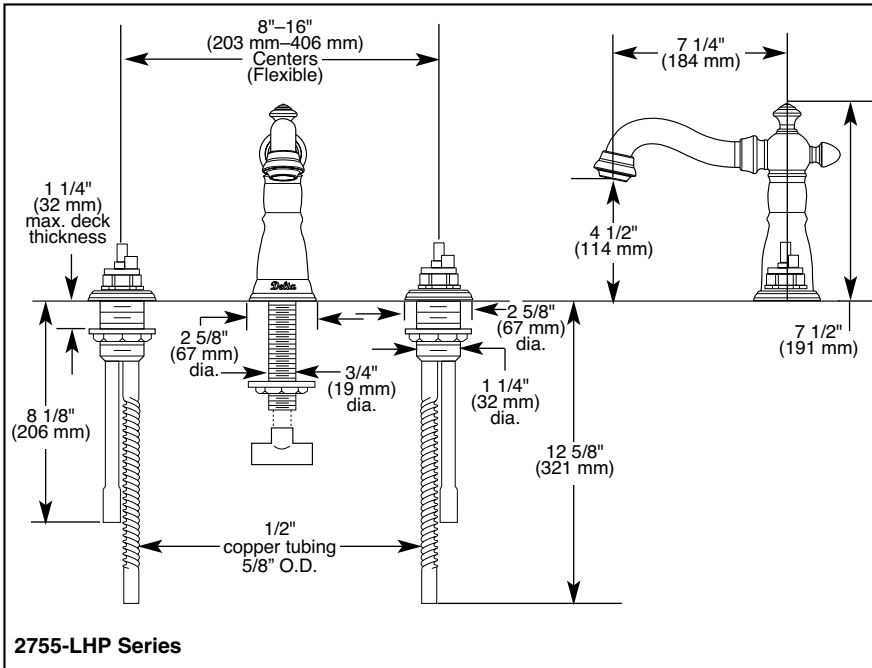
- Victorian™ Series
- Two Handle Roman Tub Faucet
- Complete Trim and Rough
- Three Hole Installation
- Flexible Widespread Mount on Deck or Ledge
- 7 1/4" (184 mm) Long Rigid Slip-On Spout
- Temperature and Volume Controlled with Handles



2755-LHP

Submitted Model No.: \_\_\_\_\_

Specific Features: \_\_\_\_\_

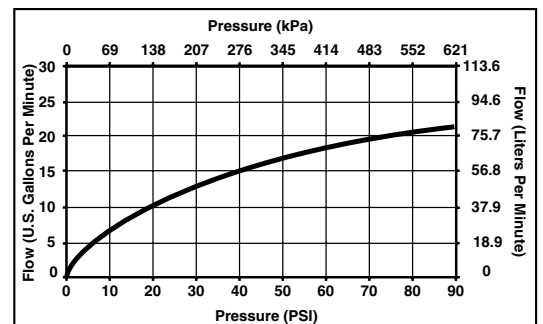


### COMPLIES WITH:

- ASME A112.18.1-2000
- CSA B125-98
- ♿ Indicates ADA compliance to ICC/ANSI A117.1-1998
- CSA Certified
- IAPMO Listed

### STANDARD SPECIFICATIONS:

- Two handle Roman Tub faucet for concealed mounting.
- LHP-Less Handle Program. See available handle options on back.
- Flexible widespread mount on deck or ledge.
- Solid fabricated brass end valves and spout body.
- 7 1/4" (184 mm) long slip-on rigid spout.
- 5/8" O.D. copper inlet supply tubes.
- 5/8" O.D. corrugated copper supply outlet tubes.
- Control mechanism shall be of the rotating cylinder type with stainless steel plate and 180° rotation, with replaceable non-metallic seats operating in stainless steel lined sockets.
- Hot and cold stems are interchangeable.
- Temperature and volume controlled with handles.
- All operating parts shall be replaceable from the top.
- Conventional rough-in adjusts to 1 1/4" (32 mm) maximum deck thickness.



Delta reserves the right (1) to make changes in specifications and materials, and (2) to change or discontinue models, both without notice or obligation. Dimensions are for reference only.

| Standard Features  | 2755-LHP | 2755-CBLHP | 2755-PBLHP | 2755-MNLHP | 2755-NPLHP | 2755-RBLHP |
|--|----------|------------|------------|------------|------------|------------|
| Washerless   | ◆        | ◆          | ◆          | ◆          | ◆          | ◆          |
| Three Hole Installation  | ◆        | ◆          | ◆          | ◆          | ◆          | ◆          |
| Flexible Widespread Mount on Deck or Ledge                                   | ◆        | ◆          | ◆          | ◆          | ◆          | ◆          |
| Conventional Rough-In—Adjusts to 1 1/4" (32 mm) Maximum Deck Thickness       | ◆        | ◆          | ◆          | ◆          | ◆          | ◆          |
| 7 1/4" (184 mm) Long Rigid Slip-On Spout                                     | ◆        | ◆          | ◆          | ◆          | ◆          | ◆          |
| Less Handle Program—See Handle Kit Options*                                  | ◆        | ◆          | ◆          | ◆          | ◆          | ◆          |
| 2 5/8" (67 mm) Diameter Handle Bases   | ◆        | ◆          | ◆          | ◆          | ◆          | ◆          |
| 5/8" O.D. Copper Supply Inlet Tubes  | ◆        | ◆          | ◆          | ◆          | ◆          | ◆          |
| 5/8" O.D. Corrugated Copper Supply Outlet Tubes                              | ◆        | ◆          | ◆          | ◆          | ◆          | ◆          |
| Chrome Finish  | ◆        |            |            |            |            |            |
| Chrome and <i>Brilliance</i> ® Polished Brass Finish                         |          | ◆          |            |            |            |            |
| <i>Brilliance</i> ® Polished Brass Finish                                    |          |            | ◆          |            |            |            |
| <i>Brilliance</i> ® Pearl Nickel Finish                                      |          |            |            | ◆          |            |            |
| <i>Brilliance</i> ® Pearl Nickel and <i>Brilliance</i> ® Polish Brass Finish |          |            |            |            | ◆          |            |
| Venetian Bronze™ Finish  |          |            |            |            |            | ◆          |

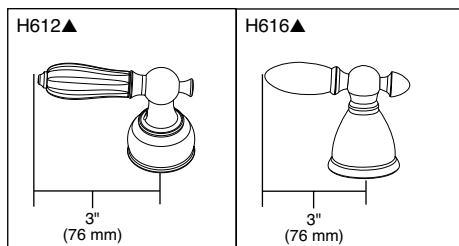
**Available Options for Field Conversion:**

- Roman Tub hand showers, bath waste assemblies and bath accessories are available separately.

**Installation Aids:**

- The Helpful Hand for 4" (102 mm) to 16" (406 mm) centers—aligns widespread handles. Order RP22132.
- Thick tile mounting aid—adds 1" (25 mm) to RP18227 only. Order RP18504 or RP11099 (bulk).
- Thick tile installation aid for RP18227 only. Rigid plastic template installs on deck prior to mud/tile. Order RP27972 or RP28009 (bulk).
- 10" fixed conventional rough-in adjusts to 1 1/4" (32 mm) maximum deck thickness. Order RP23601.
- Thick tile rough-in—mounts to deck prior to mud and tile—adjusts to 3 1/4" (83 mm) maximum deck thickness. Requires RP16867 wrench to adjust. Order RP18235.
- End valve adjustment wrench (for RP18227 and RP18235 rough-in kits). Order RP16867.

**\*Available LHP Handle Options**  
**▲ Specify Finish**



Indianapolis, Indiana 46280  
A Division of Masco Corporation of Indiana  
© 2001, Masco Corporation of Indiana