

90 Degree Adjustable Elbow



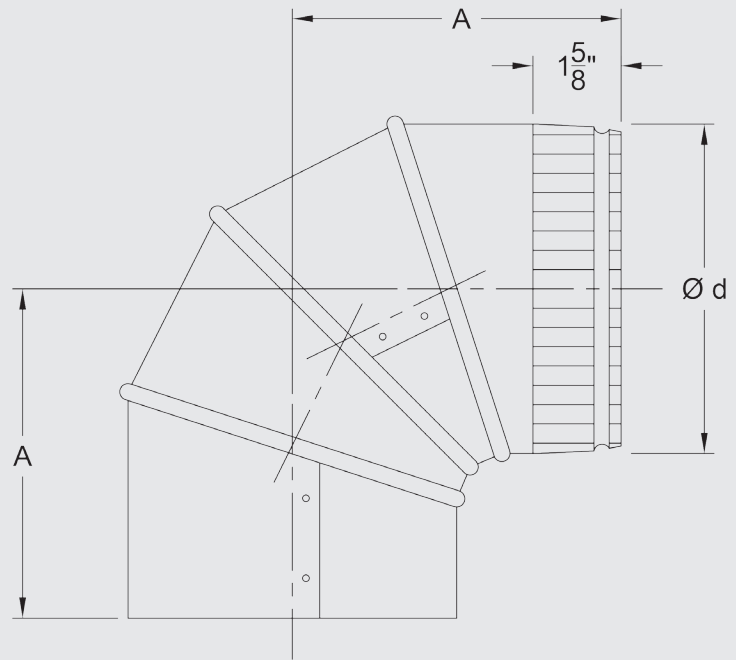
Technical Data

- Galvanized Steel (ASTM A653 and A924)
- G-60 Galvanized Coating (ASTM A653 and ASTM A90)
- Available in Specialty Metals:
 - G-90 Galvanized Steel
 - Aluminum (ASTM B209 Alloy 3003 Temper H14)
 - 304 Stainless Steel (ASTM A480 2B Finish)
- Pressure Rating: -1" WG to +2" WG
- Dimensional Tolerance: $\pm 1/4"$

Product Availability

Size (Ød)	Gauge Availability		Quantity		Dimension
	26 Ga.	24 Ga.	Bundle	Skid	A
3"	Yes	Yes	12	720	4 ½"
4"	Yes	Yes	12	576	5"
5"	Yes	Yes	12	432	5 ½"
6"	Yes	Yes	12	216	6"
7"	Yes	Yes	12	144	6 ½"
8"	Yes	Yes	12	144	7"
9"	Yes	Yes	12	96	8 ½"
10"	Yes	Yes	12	96	9"
12"	Yes	Yes	12	96	10"
14"	Yes	Yes	8	80	10 ½"
16"	Yes	Yes	8	64	12"
18"	Yes	Yes	4	16	14"
20"	Yes	Yes	4	12	15"
22"	‡	‡	4	12	‡
24"	‡	‡	4	12	‡

‡ Consult factory for availability.



Part Number Schematic

Example: **AEC890GA26**** = 90° Adjustable Elbow for 8" Pipe in 26Ga. Galvanized Steel with Both Ends Crimped

AE Adjustable Elbow	C Crimp Both Ends (Opt. Special Order)	8 Elbow Diameter (Ød)	90 90° Elbow	GA Material GA-Galvanized (Std.) AL - Aluminum S4 - 304 S.S.	26 Gauge GA - 26, 24 AL - 32 S4 - 26
-------------------------------	---	---------------------------------	------------------------	---	---

** Add 90 for G90 Galvanized Coating
 Items in green denote other available features
 Check with your sales representative for availability of any size, gauge, or specialty metal item not shown here.