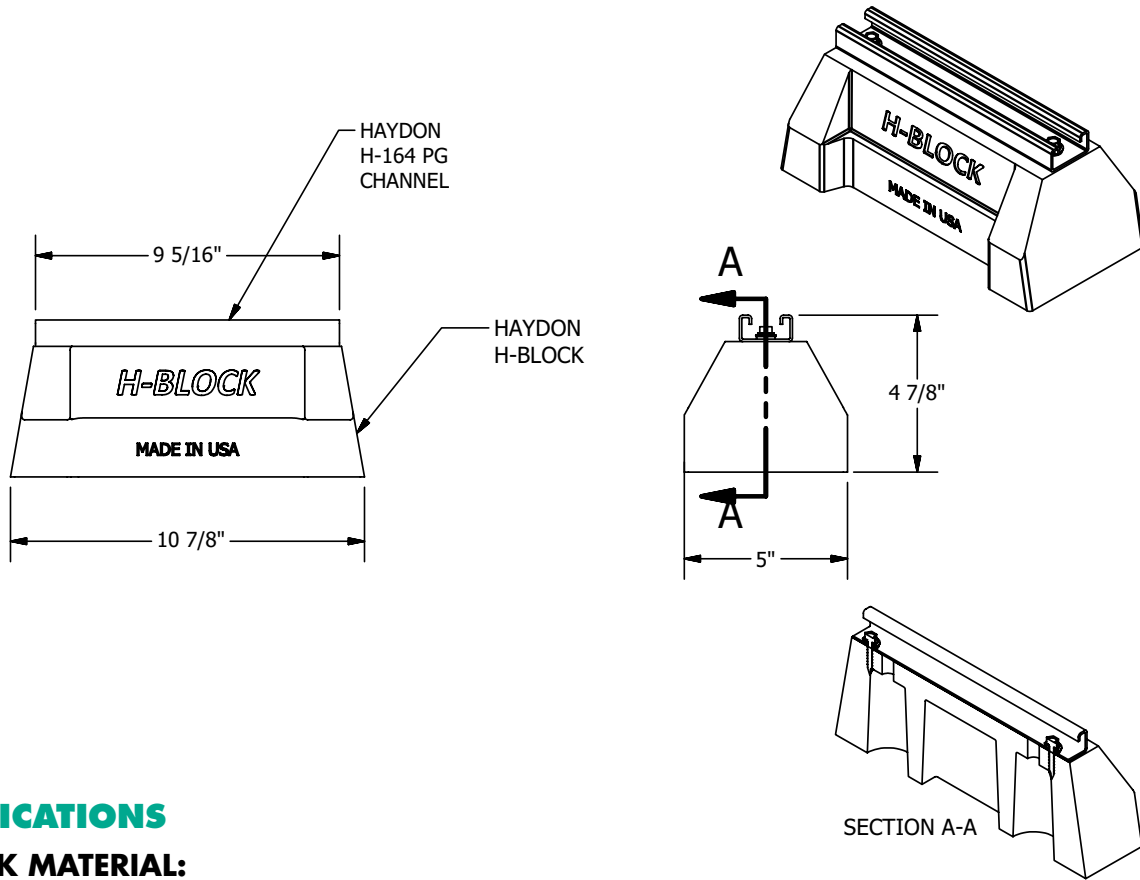


H-BLOCK HBS-Support

With $1\frac{3}{16}$ " H-164 Pre-Galv. Steel Channel

HBS-10-H-164-PG



SPECIFICATIONS

H-BLOCK MATERIAL:

100% RECYCLED RUBBER TIRES- UV RESISTANT

CHANNEL:

All components are produced from steel covered by the following specification:
PRE-GALVANIZED STEEL

ASTM A-653

LOAD CAPACITY:

UNIFORM LOAD2500 LBS*

* THIS LOAD IS ONLY FOR THE CAPACITY OF THE COMPONENTS IN THIS ASSEMBLY.
PLEASE CONSULT ROOFING MANUFACTURER OR ENGINEER FOR ROOF LOAD CAPACITY.

WEIGHT: 5.8 LBS

PROJECT INFORMATION		APPROVAL STAMP	
Project:		<input type="checkbox"/> Approved	
Address:		<input type="checkbox"/> Approved as noted	
Contractor:		<input type="checkbox"/> Not approved	
Engineer:		Remarks:	
Submittal Date:			
Notes 1:			
Notes 2:			