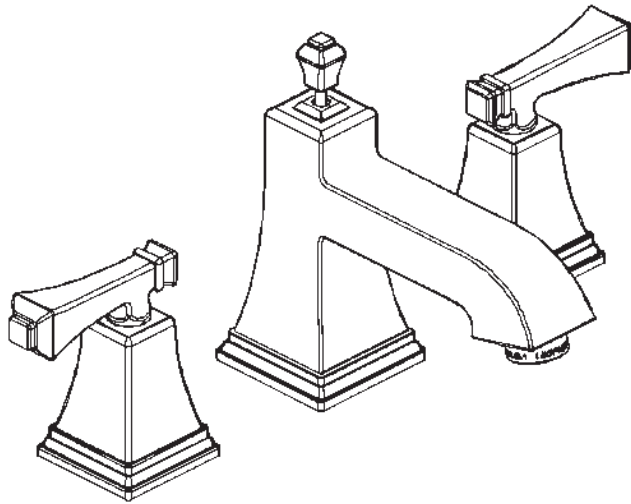


SPEAKMAN®

Rainier™ 8 in. Widespread Faucet

SB-1321

SPECIFICATION



FEATURES:

- Square style
- Lever handle
- Lead-free brass construction
- ¼ turn ceramic cartridge
- 1.5 gpm flow rate
- Quick connect fittings
- Includes pop-up drain assembly

COMPLIANCE:

- ASME A112.18.1/CSA B125.1 certified
- NSF 61 certified
- WaterSense certified
- CA AB 1953 certified
- ADA compliant



FINISH:

ADD SUFFIX TO MODEL #

- Polished Chrome (standard)

WARRANTY:

- 1 year limited

SEE REVERSE FOR ROUGH-IN DIMENSIONS

THIS SPACE FOR ARCHITECT/ENGINEER APPROVAL.

SPEAKMAN®

400 ANCHOR MILL ROAD | NEW CASTLE, DE 19720
P: 800-537-2107 | F: 800-977-2747
WWW.SPEAKMANCOMPANY.COM

REVISION DATE: JANUARY 2014

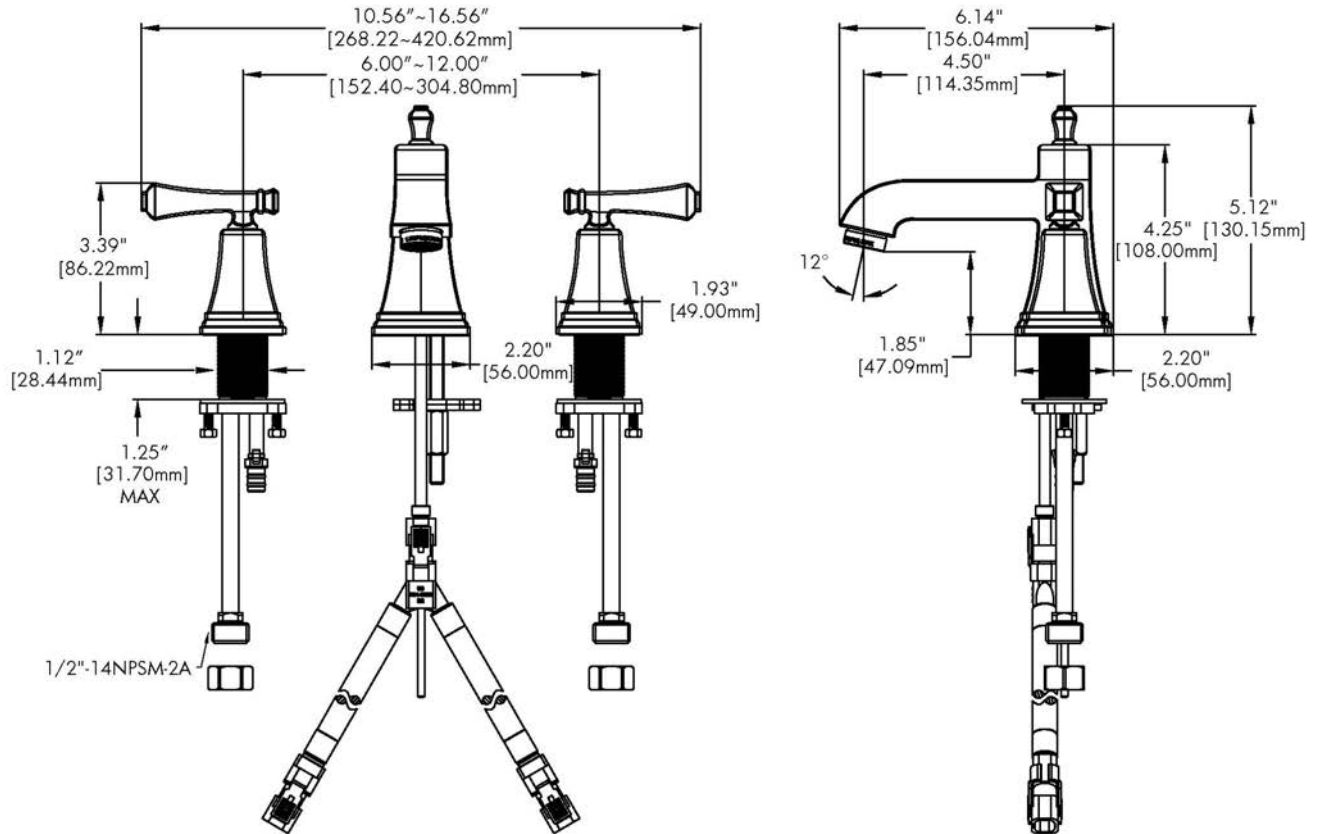


Management Systems
Registered to ISO 9001

SPEAKMAN®

Rainier™ 8 in. Widespread Faucet SB-1321

SPECIFICATION



NOTE: 1. All dimensions are in inches (millimeters) unless otherwise specified and are subject to change without notice.

THIS SPACE FOR ARCHITECT/ENGINEER APPROVAL.

SPEAKMAN®

400 ANCHOR MILL ROAD | NEW CASTLE, DE 19720
 P: 800-537-2107 | F: 800-977-2747
 WWW.SPEAKMANCOMPANY.COM



Management Systems
 Registered to ISO 9001

REVISION DATE: JANUARY 2014