

SHOWER PAN DRAIN

821 series

SPECIFICATION

Sioux Chief 821 series shower pan drain shall be used where necessary in drainage systems. Drain shall have a beveled flashing base adapter with mounting holes for subfloor installation. Strainer shall meet all load and flow requirements for installations in shower areas. Clamping collar shall fasten to drain body with four screws that thread into brass inserts. Drain body shall have a 2" Sch. 40 hub connection and connect to DWV pipe via solvent weld joint. Designed in accordance with ASME A112.18.2-2005 / CSA B125.2-05.

MATERIALS

head/strainer: chrome-plated brass

clamping collar: ABS

base adapter: ABS or PVC

STRAINER LOAD RATING

500 lbs. (light duty, pedestrian traffic)

STRAINER FREE AREA

round: 3.34 in²

square: 5.67 in²

STRAINER FLOW CAPACITY*

round: 7.22 GPM

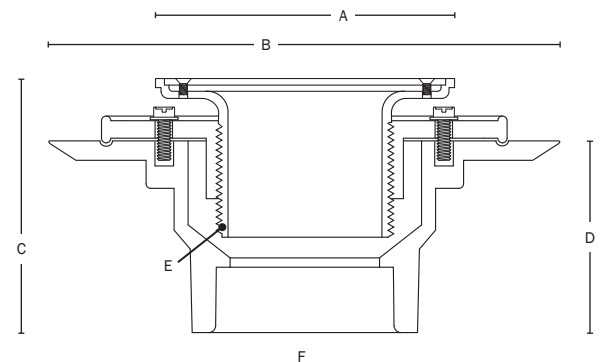
square: 12.26 GPM

DIMENSIONS

A: top diameter	4 $\frac{1}{8}$ "
B: flange diameter	6 $\frac{5}{8}$ "
C: adjustable height	3 $\frac{3}{8}$ " - 5 $\frac{1}{2}$ "
D: drain body height	2 $\frac{5}{8}$ "
E: top housing thread	2" MIP
F: connection	2" Sch. 40 Hub

* Indicates flow rate of the strainer (not necessarily of the fixture) at $\frac{1}{4}$ " head.

Item # Submitted	_____
Job Name	_____
Location	_____
Engineer	_____
Contractor	_____
PO#	_____ TAG _____



Create Item Number

821-AB

e.g. 821-2PQCP = Shower pan drain with 2" Sch. 40 hub connection, and square pattern chrome plated head/strainer

- | | | | |
|--------------------------|--------------------|--------------------------|--|
| <u>A</u> | CONNECTION TYPE | <u>B</u> | STRAINER |
| <input type="checkbox"/> | 2A ABS Sch. 40 hub | <input type="checkbox"/> | CP round pattern - chrome finish |
| <input type="checkbox"/> | 2P PVC Sch. 40 hub | <input type="checkbox"/> | RB round pattern - oil-rubbed bronze finish ¹ |
| | | <input type="checkbox"/> | QCP square pattern - chrome finish |
| | | <input type="checkbox"/> | QRB square pattern - oil-rubbed bronze finish ¹ |

¹ Powder-coat finish applied to chrome-plated head