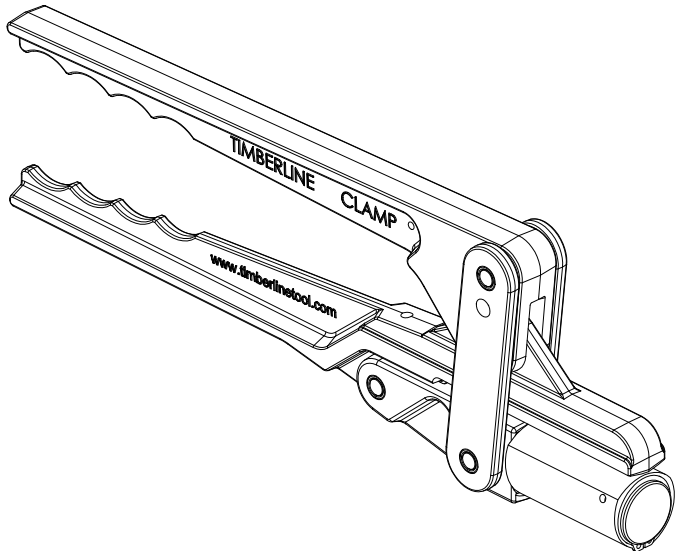




**TIMBERLINE**  
**TOOL®**

# INSTRUCTION MANUAL

## MODEL TC1-S TOPSIDE CLAMP



**TOPSIDE**  
TOP • SIDE • CLAMP

For your personal safety  
READ and UNDERSTAND  
instructions before using tools.



SAVE these instructions  
for future reference.

## SPECIFICATIONS

*Table 1 : Squeeze-off Tool for 1/2" CTS to 1 1/4" CTS (12.7mm CTS - 31.75mm CTS)  
& 1/2" IPS - 1" IPS (12.7mm IPS - 25.4mm CTS) PE Pipe \**



**NOTE**

Length:	15.0 in **	38.1 cm **
Width:	5.0 in	12.7 cm
Weight:	2.4 lbs	1.1 kg

\* Manufacturer reserves the right to change specifications without notice.

\*\* Additional handle extensions may be added to increase the reach of the tool.

## TC1-S DIAGRAM

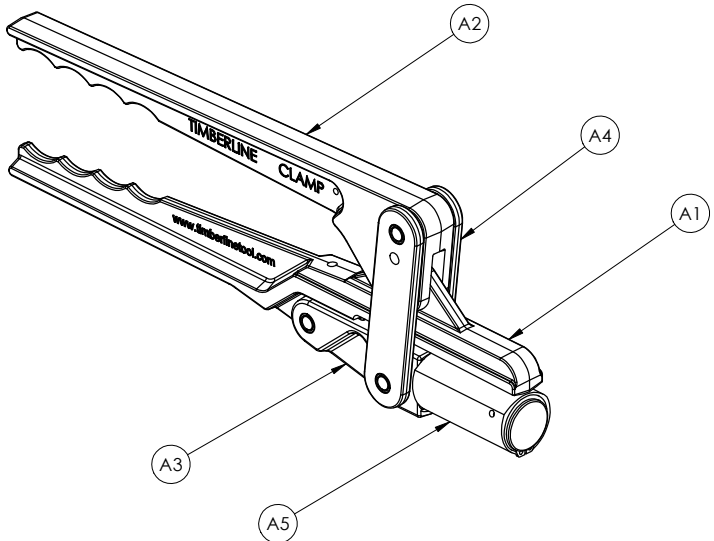
A1 – Top Jaw / Bottom Handle

A2 – Top Handle

A3 – Bottom Jaw

A4 – Links

A5 – Rotating Jaw Sleeve



**NOTE**

Familiarize yourself with all parts, names, and numbers. Refer to this diagram for the assembly and operation procedures that follow.

## INTRODUCTION

Timberline squeeze-off tools are designed to temporarily stop the pressurized flow of liquid or gas in polyethylene (PE) pipe.

Squeeze-off is a technique used to control the flow of gas or liquid in polyethylene pipe by compressing the pipe between parallel bars until the inside surfaces make contact. The flexibility and toughness of most polyethylene pipes allow the pipe to recover from a properly made squeeze-off without a measurable loss in service life. Squeeze-off is useful for making installation tie-ins and emergency repairs.

Timberline squeeze-off tools are made from high strength aluminum for superior durability and will not bend or break under normal use. However, care must be taken to ensure that the pipe is free of foreign material and the pipe setting on the rotating sleeve matches the diameter and wall thickness / SDR of the pipe to be squeezed. \*

Please read the following suggested procedure for squeezing off polyethylene plastic pipe using Timberline Squeeze-off Tools.

## GENERAL SAFETY RULES

### *For all Tools*

READ and UNDERSTAND all instructions. Failure to follow all instructions listed below may result in serious personal injury and/or damage to the tool.

The following ASTM standards provide guidance and requirements for squeeze-off tools, operating procedures, and qualification procedures.

- ASTM F1041, "Standard Guide for Squeeze-off of Polyolefin Gas Pressure Pipe and Tubing"
- ASTM F1563, "Standard Specification for Tools to Squeeze-Off Polyethylene (PE) Gas Pipe or Tubing"
- ASTM F1734, "Standard Practice for Qualification of a Combination of Squeeze Tool, Pipe, and Squeeze-Off Procedures to Avoid Long-Term Damage in Polyethylene (PE) Gas Pipe"

\* The SDR is the ratio of pipe diameter to wall thickness. SDR can be expressed as  $SDR = D/s$  where  $D$  = pipe outside diameter and  $s$  = pipe wall thickness.

## **SAFETY INSTRUCTIONS**

SAVE THESE FOR FUTURE REFERENCE

### *Static Electricity Safety*



#### **WARNING**

Use a proper grounding rod at all times to insure personal safety.

PE pipe is a relatively low conductor of electricity. As a result PE pipe does build up a static charge when it is in gas service due to the gas flow on the inside of the pipe. During squeeze-off a larger amount of static charge builds up.

In addition to the potential for pipe damage due to static discharge, the build up of a static charge represents an ignition source. Timberline Tool recommends that you follow all of your company grounding techniques and that all personnel involved in squeeze-off operations receive training on those grounding procedures so that they understand the hazards involved.

### *Workplace Safety*



#### **CAUTION**

Prior to using any squeeze-off tool, consult ASTM Standards F1041-02, F1563-01 and F1734-03.

Always follow applicable company and OSHA safety procedures.

Observe pipe manufacturers' recommendations and precautions for squeeze-off of polyethylene pipe, exercising particular caution when leaking gas is present.

Safety first. Timberline squeeze-off tools must be used by qualified, trained personnel only and must never be left on the pipe unattended. Refer to pipe manufacturers' recommendations for locating squeeze-off distances from fittings and joints.

### *Personal Safety*



#### **WARNING**

Stay Alert, watch what you are doing, and do not use tools while tired or under the influence of narcotics, alcohol, or medication.

Use proper clothing, eye protection, and safety equipment when using squeeze-tools.

A moment of inattention while operating squeeze-off tools may result in personal injury.

Store idle tools out of reach of children and other untrained persons.

## *Specific Tool Safety*



If you have used other Timberline products please be aware that the operation of this tool may differ from others and that you may need to follow different rules. Always consult the manual to insure you are following the correct safety instructions to avoid personal injury.

## *Tool Usage Safety*

Do not force the tool to perform a squeeze-off. The tool will operate safer and better if the rate of squeeze in these instructions is followed.

Maintain the tool with care. A properly maintained tool will be less likely to cause damage and is easier to control.

Check for misalignment, binding of parts, breakage of parts, and other conditions that might affect the operation of the tool. Accidents may be caused by improperly maintained tools.

Always use the Timberline TC1-S with the grounding rod inserted in the ground when working with natural gas, or any other flammable substance.

Use only the accessories or extension handles that correspond to your product. Accessories specific for one tool may be hazardous if used on a different tool.

Failure to use the TC1-S in the manner specified in this manual may result in injury and/or permanent damage to the tool.

This tool complies with ASTM F1563-01.



Always make sure to use the setting on the rotating sleeve that corresponds to the pipe size and SDR or wall thickness of the pipe to be squeezed-off.

## *Tool Service Safety*



Tool service must only be performed by qualified repair personnel. Service or maintenance performed by unqualified personnel could result in a risk of injury.

## OPERATING PROCEDURE



**WARNING**

Remember this is only a recommended procedure for a safe and effective squeeze-off. Always follow your specific company safety rules when working around natural gas.

1. Ground the tool with the **Grounding Rod**. (*Fig 1*)



**Fig 1**



**WARNING**

2. Rotate the **Jaw Sleeve** so the correct pipe size lines up with the pipe size indicator arrow shown on the **Tool Link**. (*Fig 2*)



**Fig 2**



**CAUTION**

**Make sure the pipe is clear of any debris, rock, dirt, etc.**

3. Open the tool and place over the pipe until the Tool Links are tight against the pipe. (*Fig 3*)



**Fig 3**



**NOTE**

Make sure the tool is perpendicular to the pipe during squeeze-off.

4. Close the handles until the tool goes over center into the self locking position, and the flow is controlled. (*Fig 4*)



**Fig 4**



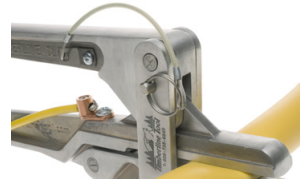
**NOTE**

Squeeze-off is complete when the tool hits the mechanical stop.

5. Place a Security Locking Pin (Accessory Part #TCSP) or Lock-out/tag-out through the holes in the tool links to prevent accidental release of the tool by someone during service operations. **(Fig 6 & Fig 7)**

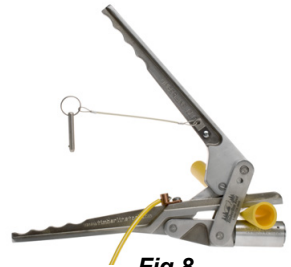


**Fig 6**



**Fig 7**

6. To remove the tool from the pipe remove the Security locking pin or lock-out/tag-out devices, open the handles slowly, and remove the tool from the pipe. **(Fig 8)**



**Fig 8**



**NOTE**

If recommended, re-round the pipe according to instructions provided by the manufacturer. Mark the location to avoid a future squeeze at the same location.



**NOTE**

TC1-S Extension handles are available to ease squeeze-off of large diameter and/or thick-walled pipe. They are sold separately in 12", 24", and 36" lengths.

## SERVICE

*After every 10 uses:*

1. Lubricate the pins and bushings with light oil. (**Fig 9**)



**Fig 9**

2. Lubricate the rotating jaw sleeve with a small amount of light oil. (**Fig 10**)



**Fig 10**



If you have questions, please feel free to contact our customer service representatives at 1-800-735-6845 or by email at [service@timberlinetool.com](mailto:service@timberlinetool.com).

## TC1-S ACCESSORIES



### **WARNING**

Any accessories or attachments recommended for use with your Timberline Tool are specified in this manual. The use of any other accessories or attachments might present the risk of injury. Only use accessories or attachments for their stated purpose.

- TC1EXT12 - 12" Extension Handles (pr)
- TC1EXT24 - 24" Extension Handles (pr)
- TC1EXT36 - 36" Extension Handles (pr)
- TC1CASE - Storage/Carrying Case
- TCGR - Copper Ground Rod
- TCMB - Mounting Bracket
- TCSP - Security Locking Pin and Cable



## **TIMBERLINE LIMITED WARRANTY**

### *Warranty Policy*

Every product manufactured by Timberline Tool is thoroughly inspected and tested before leaving the factory. Our products are warranted to be free of defects from workmanship and materials for the period of ONE YEAR from the date of original purchase. Should any trouble develop with our tools, handles, or accessories during this one-year period please call 800.735.6845 to obtain return authorization for repair. If inspection shows the trouble is caused by defective workmanship or material, Timberline Tool will repair or, at our option, replace the product without charge.

This Warranty does not apply where:

- Repairs have been made or attempted by others.
- Repairs are required because of normal wear and tear.
- The tool has been abused, misused, or improperly maintained.
- Alterations have been made to the tool.

IN NO EVENT SHALL TIMBERLINE TOOL BE LIABLE FOR ANY INDIRECT, INCIDENTAL OR CONSEQUENTIAL DAMAGES FROM THE SALE OR USE OF THE PRODUCT. THIS DISCLAIMER APPLIES BOTH DURING AND AFTER THE TERM OF THIS WARRANTY.

TIMBERLINE TOOL DISCLAIMS LIABILITY FOR ANY IMPLIED WARRANTIES, INCLUDING IMPLIED WARRANTIES OF "MERCHANTABILITY" AND "FITNESS FOR A SPECIFIC PURPOSE," AFTER THE ONE-YEAR TERM OF THIS WARRANTY.

This Warranty gives you specific legal rights, and you may also have other rights which vary from state to state. Some states do not allow the exclusion or limitation of incidental or consequential damages, so the above limitation or exclusion may not apply to you. Some states do not allow limitation on how long an implied warranty lasts, so the above limitation may not apply to you.



This page intentionally left blank

This page intentionally left blank



**TIMBERLINE**  
**TOOL**<sup>®</sup>  
**800-735-6845**



(406)755-4258



(406)257-2711

[www.timberlinetool.com](http://www.timberlinetool.com)

90 Conestoga Ct. Kalispell, MT 59901 USA