



THE "32" SERIES REPLACEMENT ELEMENTS New Sizes for the Blower Market!



FEATURES & SPECIFICATIONS

Polyester Elements:

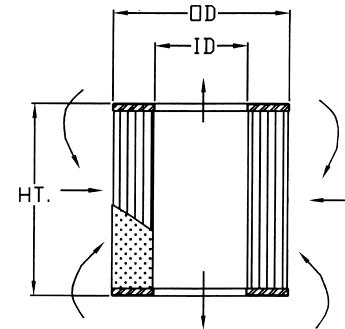
- ♦ 5 micron nominal efficiency rating at **99%+**
- ♦ Reinforced with epoxy coated steel wire mesh
- ♦ Washable - lukewarm water & mild detergent

Paper Elements:

- ♦ 2 micron nominal efficiency rating at **99%+**
- ♦ **Heavy duty** industrial strength paper surrounded by galvanized expanded metal

Specifications:

- ♦ Pleated media for **High Dirt Holding Capacity**
- ♦ Industrial plastisol molded endcaps
- ♦ Optimal surface area per given size
- ♦ Dust loading capacity is increased 40 - 50% with polyurethane prefilter (Select sizes-Contact Solberg)
- ♦ Temp (continuous):min -15°F(-26°C) max 220°F(104°C)
- ♦ Suggested change out differential: 10"-15" H₂O Over initial delta P



Dimension tolerance $\pm 1/4"$

ADVANTAGES: POLYESTER

- ♦ Washable
- ♦ More durable
- ♦ Moisture resistant
- ♦ Handles hot air and oil mist from unload cycle of reciprocating/piston compressor

Paper		Polyester		Dimensions - inches		
Solberg	Stoddard	Solberg	Stoddard	ID	OD	HT
32-16	F8-108	32-17	F8-151	4 3/4	6 7/8	4 3/16
32-18	F8-109	32-19	F8-135	7 1/8	10 3/16	5 1/8
32-20	F8-110	32-21	F8-134	9 1/2	12 9/16	4 7/8
32-22	F8-111	32-23	F8-139	9 1/2	12 9/16	10
32-24	F8-137	32-25	F8-148	15	19 3/4	14

Paper			Polyester			Dimensions - inches		
Solberg	Universal	EM	Solberg	Universal	EM	ID	OD	HT
32-00	81-0470	---	32-01	81-1202	---	4	5 13/16	2
32-02	81-0471	P642	32-03	81-1203	F642	4 1/4	6	2 1/2
32-04	81-0472	P974	32-05	81-1204	F974	7 1/4	9 3/4	4
32-06	81-1063	P976	32-07	81-1205	F976	7 1/4	9 3/4	6
32-08	81-0474	P1197	32-09	81-1206	F1197	9 7/8	11 1/2	7
32-10	81-0475	P13118	32-11	81-1207	F13118	11 5/8	13 5/8	8 5/8
32-12	81-1163	P171310	32-13	81-1209	F171310	13	17	10
32-14	81-1164	P231914	32-15	81-1210	F231914	19	23	14

Contact Solberg for wire mesh element models and availability.

Note: Model offerings and design parameters may change without notice. Contact factory on availability and lead times.