

Figure 16B-200
STAINLESS STEEL CHECK VALVES



**200 WOG
 SWING CHECK VALVE**

Features:

- 200 WOG
- Temperature: -4°F to 356°F
- Investment Cast Components
- Stainless Steel Body and Trim
- Solid One-Piece Disc
- Threaded NPT Ends

Standards:

- Pressure Test: API 598
- Material: ASTM/ASME B16.34
- Connections: ANSI B1.20.1 (NPT)



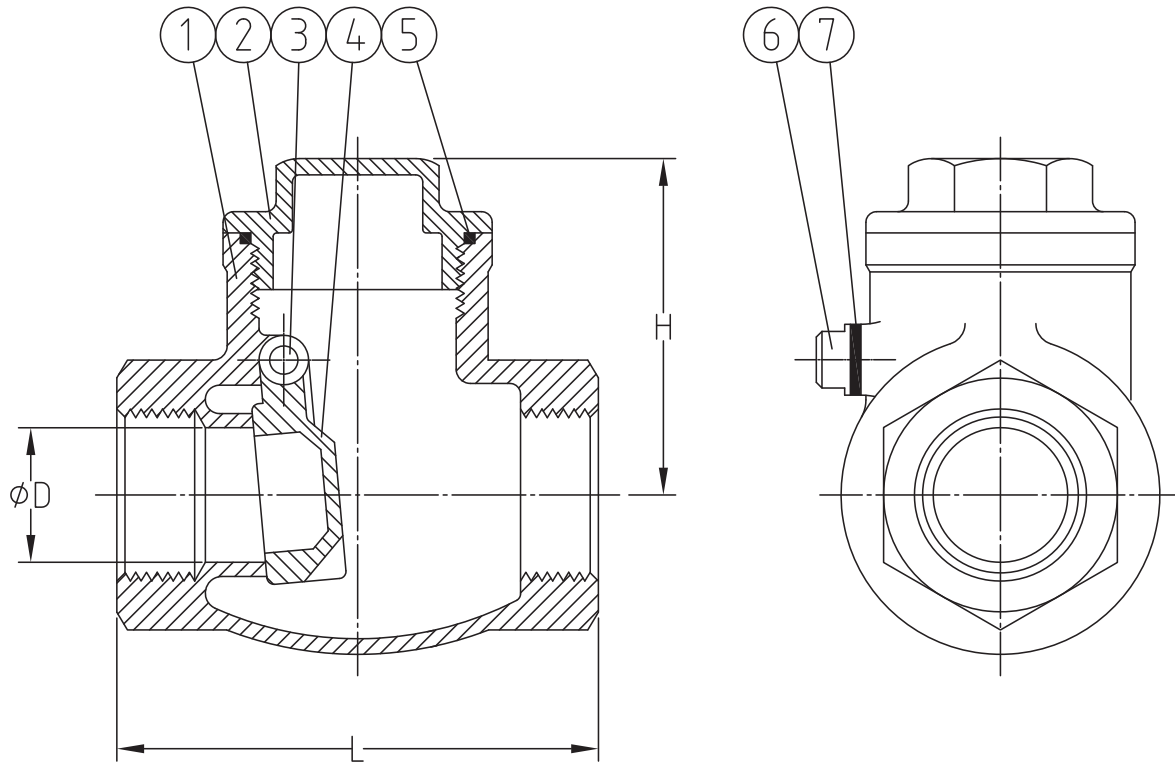
Cv & Weights

Size	Cv	Wt. (lbs.)
1/4	3.2	1.2
3/8	6.7	1.1
1/2	9.0	1.0
3/4	16.6	1.7
1	27.0	2.1
1-1/4	45.0	3.2
1-1/2	72.4	4.4
2	118.9	6.0

Figure Number Matrix

FNW 16B 200 Size	
SIZE CODE	
1/4 = B	1 = G
3/8 = C	1-1/4 = H
1/2 = D	1-1/2 = J
3/4 = F	2 = K

200 WOG SWING CHECK VALVE



Dimensions (inches)

Size	ØD	L	H
1/4	0.44	2.56	1.65
3/8	0.51	2.56	1.65
1/2	0.59	2.56	1.65
3/4	0.79	3.15	2.01
1	0.98	3.54	2.36
1-1/4	1.26	4.13	2.60
1-1/2	1.57	4.72	2.95
2	1.97	5.51	3.15

Standard Materials

Ref. No.	Description	Material	Qty
1	Body	ASTM A351 Gr. CF8M	1
2	Cap	ASTM A351 Gr. CF8M	1
3	Hanger Pin	316SS	1
4	Disc	ASTM A351 Gr. CF8M	1
5	Body Seal	PTFE	1
6	Plug	316SS	1
7	Plug Gasket	PTFE	1