

CHECK UP509*

HORIZONTAL SWING - BRONZE

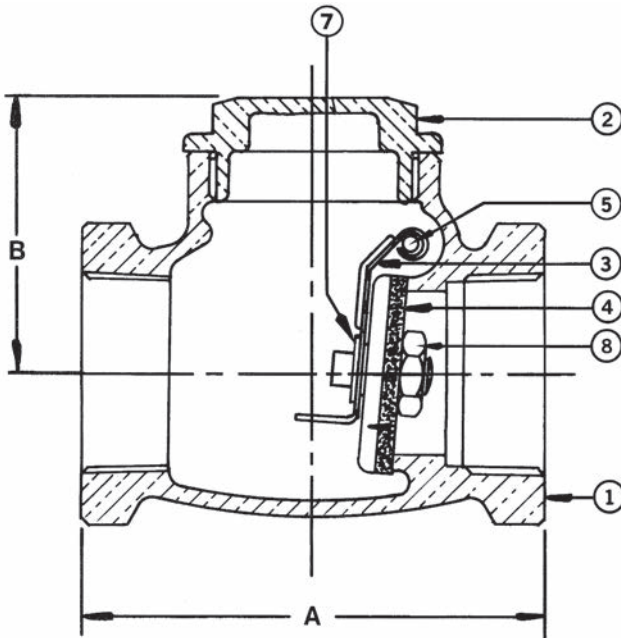
300 lb. WOG†
Potable Water Service
Bronze Disc
Threaded Ends

Dimensions and Workmanship Conform
to MSS SP-80

Designed in accordance with the requirements
of California AB 1953, Vermont S 152 and Senate Bill S3874



WQA tested and Certified
against WQA ORD0902
for California "lead free"
compliance.



*Same design as Hammond UP509

MATERIAL LIST

NO.	PART	MATERIAL	SPECIFICATION
1	Body	Bronze	ASTM B584 C89833
2	Cap	Bronze	ASTM B584 C89833
3	Lever	St. Steel	Commercial
4	Disc	Brass Bronze	ASTM B283 C69300 2" ASTM B584 C89833
5	Pin	St. Steel	Commercial
6	Disc Nut	Brass	ASTM B283 C46400
7	Retaining Ring	St. Steel	Commercial
8	Plug (not shown)	Brass	ASTM B283 C69300

DIMENSIONS - INCHES / MILLIMETERS

UNITS	SIZE	A	B	C _v
Inches	1/4	2.13	1.44	3.3
mm	6.35	53.98	36.53	
Inches	3/8	2.13	1.44	6.0
mm	9.53	53.98	36.53	
Inches	1/2	2.31	1.44	10.0
mm	12.70	58.75	36.53	
Inches	3/4	2.63	1.69	18.0
mm	19.05	66.68	42.88	
Inches	1	3.25	2.00	31.0
mm	25.40	82.55	50.80	
Inches	1 1/4	3.56	2.13	54.0
mm	31.75	90.50	53.98	
Inches	1 1/2	4.00	2.38	76.0
mm	38.10	101.60	60.33	
Inches	2	4.75	2.81	131.0
mm	50.80	130.18	207.98	

† Non-Shock

Rev. 5

Milwaukee Valve Company
16550 W. Stratton Drive
New Berlin, WI 53151
Phone: 262-432-2700
Fax: 262-432-2701

Note: Lead free refers to the wetted surface of the pipe, fittings and fixtures in potable water systems that have a weighted average lead content 0.25%. Source: California Health and Safety Code (116875).

The information presented on this sheet is correct at the time of publication. Milwaukee Valve reserves the right to change design, and/or material specifications without notice. For the Installation, Operation and Maintenance Manual (IOM) see the engineering section on our website. For the most current information access www.milwaukeevalve.com

