



**300 lb. WOG†
Potable Water Service
Solid Wedge Disc • Non-Rising Stem
Threaded Bonnet
Gland Packed
Solder Ends**

GATE UP115* BRONZE

Dimensions and Workmanship Conform to MSS SP-80
Designed in accordance with the requirements of California AB 1953,
Vermont S 152 and Senate Bill S3874

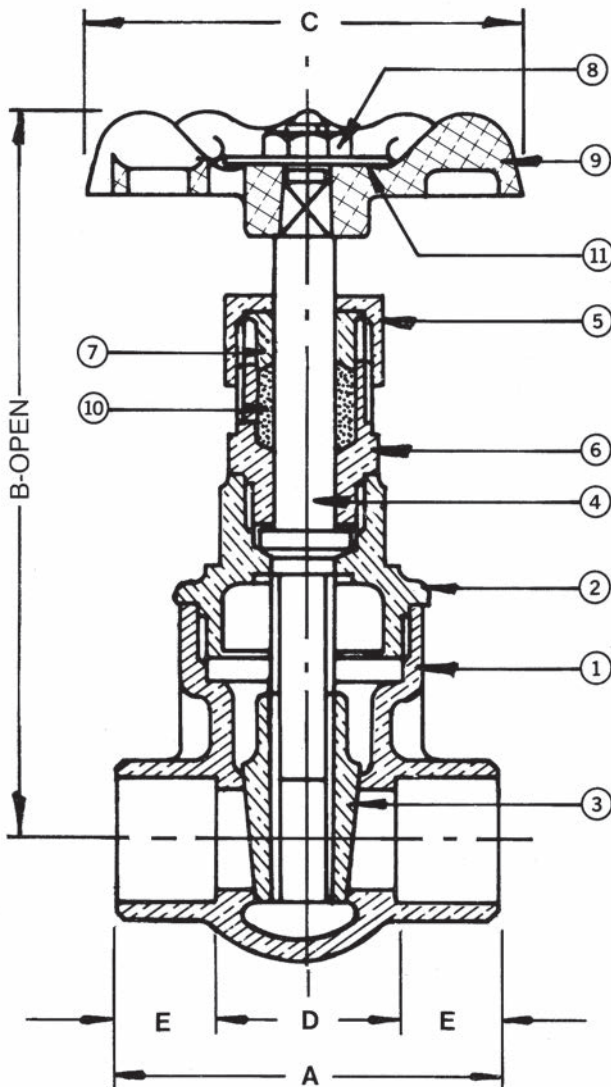


WQA tested and Certified against WQA ORD0902 for California "lead free" compliance.

MATERIAL LIST

| NO. | PART | MATERIAL | SPECIFICATION |
|-----|--------------------|------------|------------------|
| 1 | Body | Bronze | ASTM B584 C89833 |
| 2 | Bonnet | Bronze | ASTM B584 C89833 |
| 3 | Wedge | Bronze | ASTM B584 C89833 |
| 4 | Stem | Bronze | ASTM B584 C89833 |
| 5 | Stuff Nut | Brass | ASTM B283 C37700 |
| 6 | Check Nut | Brass | ASTM B283 C69300 |
| 7 | Gland ¹ | Brass | ASTM B283 C37700 |
| 8 | Wheel Nut | Brass | Commercial |
| 9 | Handwheel | Mall. Iron | Commercial |
| 10 | Packing | Graphite | Commercial |
| 11 | Name Plate | Sh. Alum | Commercial |

¹ Not Used of 1/2" and Smaller



DIMENSIONS - INCHES / MILLIMETERS

| Units | Size | A | B | C | D | E | C _v |
|--------|-------|--------|--------|-------|-------|-------|----------------|
| Inches | 1/2 | 1.88 | 3.56 | 2.00 | 0.88 | 0.50 | 10.7 |
| mm | 12.70 | 47.63 | 90.50 | 50.80 | 22.23 | 12.70 | |
| Inches | 3/4 | 2.50 | 4.75 | 2.50 | 1.00 | 0.75 | 17.6 |
| mm | 19.05 | 63.50 | 120.65 | 63.50 | 25.40 | 19.05 | |
| Inches | 1 | 3.00 | 5.00 | 2.75 | 1.19 | 0.91 | 32.0 |
| mm | 25.40 | 76.20 | 127.00 | 69.85 | 30.18 | 23.01 | |
| Inches | 1 1/4 | 3.25 | 5.88 | 3.13 | 1.31 | 0.97 | 54.0 |
| mm | 31.75 | 82.55 | 149.23 | 79.38 | 33.35 | 24.61 | |
| Inches | 1 1/2 | 3.63 | 6.50 | 3.50 | 1.44 | 1.09 | 97.0 |
| mm | 38.10 | 92.08 | 165.10 | 88.90 | 36.53 | 27.79 | |
| Inches | 2 | 4.31 | 7.44 | 3.75 | 1.63 | 1.34 | 135.0 |
| mm | 50.80 | 109.55 | 188.93 | 95.25 | 41.28 | 34.13 | |

† Non-Shock

Rev 5

*Same design as Hammond UP647

Milwaukee Valve Company
16550 W. Stratton Drive
New Berlin, WI 53151
Phone: 262-432-2700
Fax: 262-432-2701

Note: Lead free refers to the wetted surface of the pipe, fittings and fixtures in potable water systems that have a weighted average lead content 0.25%. Source: California Health and Safety Code (116875).

The information presented on this sheet is correct at the time of publication. Milwaukee Valve reserves the right to change design, and/or material specifications without notice. For the Installation, Operation and Maintenance Manual (IOM) see the engineering section on our website. For the most current information access www.milwaukeevalve.com

