

# Figure 320A STAINLESS STEEL BALL VALVES



## 3 PC FULL PORT 2000 CWP

### Features:

- 2000 PSI CWP\* Non-Shock
- Working Steam Pressure (WSP)
  - 150 PSI - Fig. 320A
  - 250 PSI - Fig. 320AC
- Full Port
- Blow-out Proof Stem
- Live-Loaded Packing
- Anti-Static Design
- Investment Cast Body
- TFM (Super TFE) Seats
- End Connections
  - Threaded
  - Socket Weld
- Stainless Steel Handle
- Locking Lever
- Tapped Hole Mounting Pad
- Vacuum Rated to 26.967"Hg (75 Torr)\*\*
- Vented Ball
- Manufactured Silicone Free

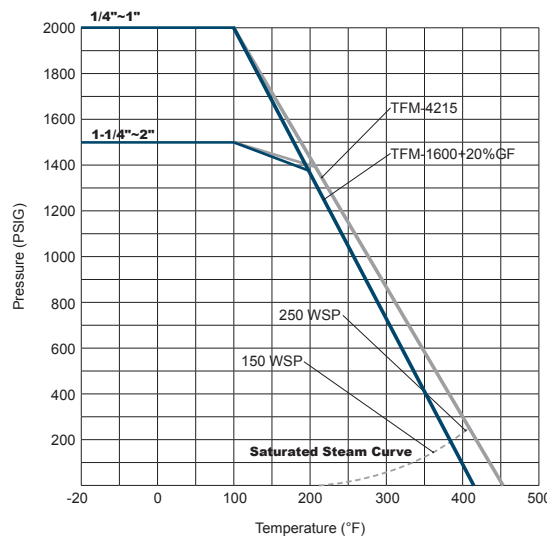


### Standards:

- Design: ASME B16.34, MSS SP-110
- End Connections:
  - NPT - ASME B1.20.1
  - SW - ASME B16.11
- Seat/Shell Test: MSS SP-110

\* 1/4" to 1" - 2000 PSI CWP  
1-1/4" to 2" - 1500 PSI CWP

\*\* Vacuum measurements are often made in inches of mercury below atmospheric pressure. The values calculated here assume standard atmospheric pressure of 29.92 inches of mercury.

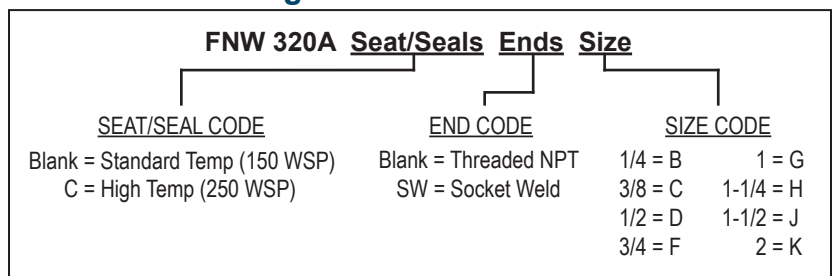


Optional Socket Weld Ends

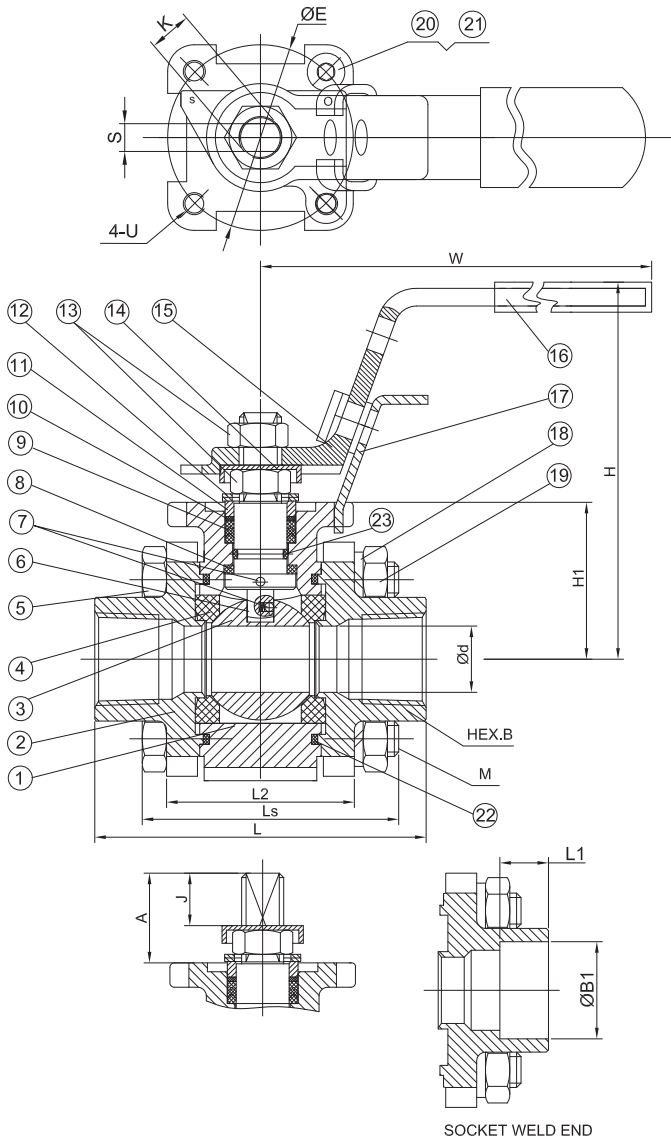
### Cv, Torque & Weight

Size	Cv	Torque (in-lbs)	Wt (lbs)	
			NPT	SW
1/4	15	69	2.34	2.34
3/8	15	69	2.34	2.34
1/2	18	77	2.29	2.25
3/4	36	98	3.15	3.15
1	48	166	4.59	4.59
1-1/4	58	277	7.61	7.61
1-1/2	120	388	9.92	9.92
2	190	582	15.21	15.48

### Figure Number Matrix



### 3 PC FULL PORT 2000 CWP



#### Standard Materials

Ref. No.	Description	Material		Qty
		Figure 320A	Figure 320AC	
1	Body	ASTM A351 Gr. CF8M Stainless		1
2	End Cap	NPT	ASTM A351 Gr. CF8M Stainless	2
		SW	ASTM A351 Gr. CF3M Stainless	
3	Ball	316SS Stainless		1
4	Seat	TFM1600+20%GF	TFM4215	2
5	Body Bolt	1/4~1-1/4	ASTM A193-B8 Stainless	4
		1-1/2~2		8
6	Stem	316SS Stainless		1
7	Anti-Static Device	316SS Stainless		2
8	Thrust Washer	TFM4215		1
9	V-Ring Packing	PTFE	TFM1600	1 Set
10	Bushing	50% Stainless + 50% PTFE		1
11	Gland	316SS Stainless		1
12	Belleville Washer	301SS Stainless		2
13	Stem Nut	ASTM A194-8 Stainless		2
14	Stop-Lock-Cap	304SS Stainless		1
15	Handle	304SS Stainless		1
16	Handle Sleeve	Vinyl Plastic		1
17	Lock Device	304SS Stainless		1
18	Bolt Washer	1/4~1-1/4	304SS Stainless	4
		1-1/2~2		8
19	Bolt Nut	1/4~1-1/4	ASTM A194-8 Stainless	4
20	Stop Bolt	ASTM A193-B8 Stainless		1
21	Stop Washer	304SS Stainless		1
22	Body Gasket	PTFE	PTFE+20%CF	2
		PTFE		
23	O-ring	FKM		1

#### Dimensions (inches)

SIZE	Ød	L	H1	H	W	ØE	S	U	A	J	K (UNF)	Ls	L2	M (UNC)	B	L1	ØB1
1/4	0.42	2.76	1.18	2.99	5.31	1.65	0.25	M5	0.68	0.41	3/8-24	2.13	1.61	1/4-20	0.93	0.43	0.55
3/8	0.50	2.76	1.18	2.99	5.31	1.65	0.25	M5	0.68	0.41	3/8-24	2.13	1.61	1/4-20	0.93	0.43	0.69
1/2	0.59	2.95	1.42	3.27	5.31	1.65	0.25	M5	0.80	0.46	3/8-24	2.44	1.83	5/16-18	1.10	0.43	0.86
3/4	0.79	3.15	1.56	3.27	5.31	1.65	0.25	M5	0.80	0.46	3/8-24	2.74	2.05	3/8-16	1.34	0.51	1.07
1	0.98	3.54	1.79	3.86	6.69	1.97	0.35	M6	0.92	0.49	9/16-18	3.18	2.36	3/8-16	1.81	0.51	1.34
1-1/4	1.25	4.33	1.97	4.06	6.69	1.97	0.35	M6	0.92	0.49	9/16-18	3.86	2.76	1/2-13	2.17	0.51	1.68
1-1/2	1.50	4.72	2.36	4.33	7.87	2.76	0.38	M8	1.18	0.59	5/8-18	4.12	3.24	1/2-13	2.24	0.51	1.91
2	1.95	5.51	2.68	4.69	7.87	2.76	0.38	M8	1.18	0.59	5/8-18	4.90	3.68	5/8-11	2.87	0.63	2.41