

**LOW LEAD COMPLIANT  
 2 PC FULL PORT 600 WOG**

**Features:**

- 600 WOG Non-Shock
- 150 WSP
- Full Port
- NSF 61 Annex G Certified (UL)  
 (Annex G references NSF 372)
- Sweat Ends (ANSI B16.18)
- Forged Brass Body & Endcap
- 100% Electronically Tested in Open &  
 Closed Position at 80 PSI
- Meets MSS SP-110 Standards
- Blow-out Proof Stem
- Dual O-ring Non-adjustable Packing
- Accessories (Sold Separately)
  - Lock Lever Kit (1/2"~3")
  - Stem Extension Kit (1/2"~3")
  - Tee Handle Kit (1/2"~1")
  - Oval Handle Kit (1/2"~2")
  - Memory Stop Kit (1/2"~2")
  - Stainless Handle (1/2"~2")



Accessories



**NOT FOR USE AT OR BELOW GROUND LEVEL**

Low Lead Compliant: Referring to laws defining "Lead Free" as wetted surface of pipe, fittings and fixtures in potable water systems that have a weighted average lead content  $\leq 0.25\%$  per the Safe Drinking Water Act (Sec. 1417) amended 1-4-2011 as well as other state regulations.



**Figure Number Matrix**

FNW X416 Size	
SIZE CODE	
1/2 = D	1-1/2 = J
3/4 = F	2 = K
1 = G	2-1/2 = L
1-1/4 = H	3 = M

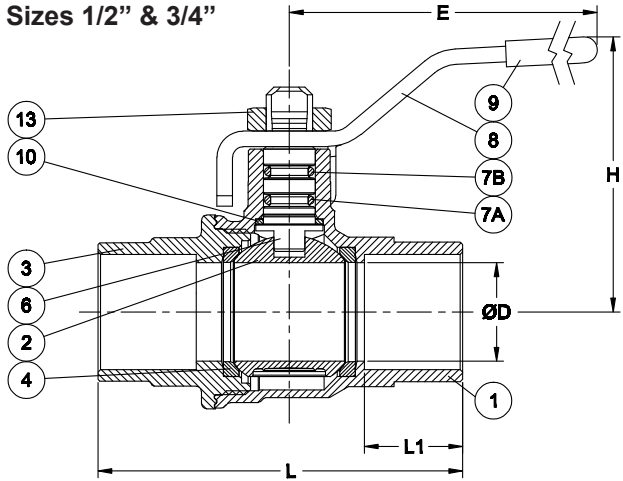
**Kit Codes (Order Separately)**

FNW 420 Kit Size	
KIT TYPE	SIZE CODE
Locking Handle = LHK	1/2" = BD
Stem Extension = SE	3/4"~1" = FG
Tee Handle = THK	1-1/4"~1-1/2" = HJ
Oval Handle = OHK	2" = K
Memory Stop = MSK	2-1/2"~3" = LM
Stainless Handle = SSK	

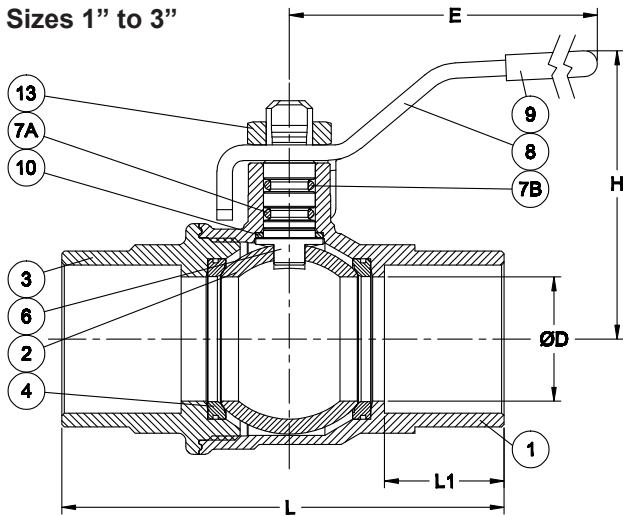
Note: The figure X416 uses the same accessories as the 420.

## LOW LEAD COMPLIANT 2 PC FULL PORT 600 WOG

Sizes 1/2" & 3/4"



Sizes 1" to 3"



### Standard Materials

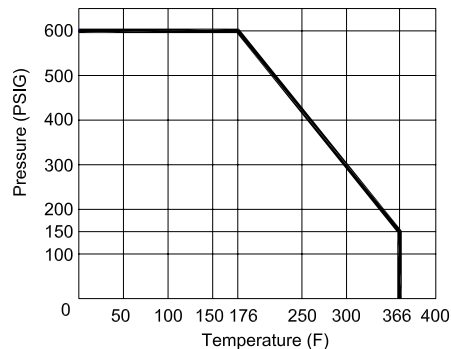
Ref. No.	Description	Material	Qty	Remarks
1	Body	Brass CW 510L	1	
2	Ball	Brass CW 510L (TEA Plated)	1	Solid ball 1/2" & 3/4" Hollow ball 1" & larger
3	End Cap	Brass CW 510L	1	
4	Seat	PTFE	2	
6	Stem	Brass CW 510L (TEA Plated)	1	
7A	Stem O-ring	NBR	1	
7B	Stem O-ring	FKM	1	
8	Handle	Steel DD11	1	
9	Handle Sleeve	Vinyl	1	
10	Thrust Washer	PTFE	1	
13	Handle Nut	Steel CL 04	1	

### Dimensions (inches)

Size	ØD	E	L	L1	H
1/2	0.55	3.78	2.19	0.50	1.77
3/4	0.75	4.76	2.78	0.75	2.22
1	0.94	4.76	3.37	0.91	2.32
1-1/4	1.19	5.94	3.86	0.97	2.85
1-1/2	1.50	5.94	4.48	1.10	3.09
2	1.95	6.30	5.33	1.34	3.70
2-1/2	2.44	8.07	6.14	1.48	4.59
3	2.99	8.07	7.17	1.67	4.98

### Cv & Weights

Size	Cv	Wt. (Lbs)
1/2	19	0.39
3/4	34	0.63
1	45	0.88
1-1/4	75	1.63
1-1/2	180	2.28
2	210	4.09
2-1/2	400	6.89
3	650	9.76



DOC: FNWX41613 Ver. 4/2014

© 2014 - FNW. All rights reserved.

The FNW logo is a trademark of Ferguson Enterprises, Inc., PL Sourcing, PO Box 2778, Newport News, VA 23609

The contents of this publication are presented for information purposes only, and while effort has been made to ensure their accuracy, they are not to be construed as warranties or guarantees, expressed or implied, regarding the products or services described herein or their use or applicability. All sales are governed by our terms and conditions, which are available on request. We reserve the right to modify or improve the designs or specifications of our products at any time without notice. Always verify that you have the most recent product specifications or other documentation prior to the installation of these products.