



Bronze Ball Valve For Potable Water

Three-Piece • Full-Port

Blow-Out Proof Stem

600 PSIG WOG

Threaded Ends

UPBA300/300S*

1/4"-2"

600 PSIG WOG

Threaded Ends

FED. SPEC. WW-V-35C, II, BZ,3

Dimensions and workmanship conform to MSS SP-110

Designed in accordance with the requirements of California AB 1953,
Vermont S 152 and Senate Bill S3874

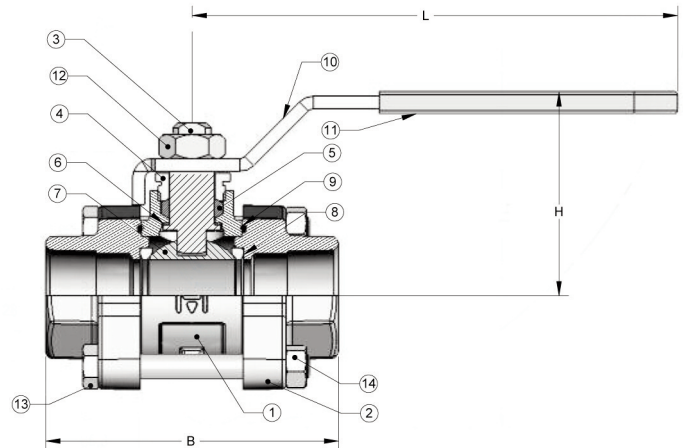
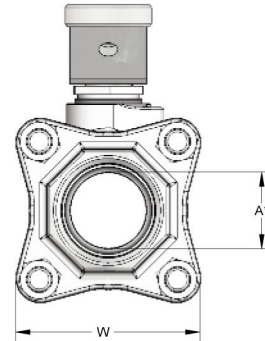
Designed to meet WQA ORD0902 for
California "lead free" compliance.

MATERIALS LIST

ITEM	PART	MATERIALS	ASTM SPEC.
1	Body	Cast Bronze	B584 C89833
2	End Cap	Cast Bronze	B584 C89833
3	Stem	Brass	UNSC 89833
4	Packing Nut	316 Stainless Steel (1)	A276
5	Packing	Brass	B16
6	Packing	PTFE	
7	Thrust Washer	RPTFE, 25% Glass Reinforced	
8	Ball	Brass w/Hard Chrome Plating	B283 C69300
9	Seat	316 Stainless Steel (1)	A276
10	Seat	RPTFE, 15% Glass Filled	
11	O- Ring	Viton	Commercial
12	Handle	Steel w/ Zinc Plating	B633
13	Handle Grip	Vinyl	
14	Handle Nut	Steel w/ Zinc Plating	Commercial
15	Bolt	Steel w/ Zinc Plating	Commercial
16	Nut	Steel w/ Zinc Plating	Commercial

(1) Ball and stem are stainless for UPBA300S.

*Same design as Hammond UP8604/8603



DIMENSIONS

	UNITS	1/4" **	3/8" **	1/2"	3/4"	1"	1 1/4"	1 1/2"	2"
		DN6	DN10	DN15	DN20	D25	D32	D40	D50
A	INCHES	0.5	0.5	0.5	0.75	1	1.25	1.5	2
	mm	13	13	13	19	25	32	38	51
B	INCHES	3.03	3.03	3.03	3.65	3.82	4.86	5.06	6
	mm	77	77	77	90	97	123	129	152
H	INCHES	1.65	1.65	1.65	2.24	2.65	2.86	3.03	3.26
	mm	42	42	42	57	67	73	77	83
L	INCHES	4.03	4.03	4.06	4.58	6.3	6.32	7.2	7.2
	mm	102	102	103	116	160	161	183	183
W	INCHES	1.95	1.95	1.95	2.19	2.48	3	3.13	3.78
	mm	50	50	50	56	63	76	80	96
F	THREAD	1/4"	3/8"	1/2"	3/4"	1"	1 1/4"	1 1/2"	2"
	SIZE	NPT	NPT	NPT	NPT	NPT	NPT	NPT	NPT
Cv		7	7	17	31	60	110	185	360

Milwaukee Valve Company
16550 W. Stratton Drive
New Berlin, WI 53151
Phone: 262-432-2700
Fax: 262-432-2701

Note: DN(DiameterNominal)=Metric equivalentsize.

Rev. 2

* 3" is Standard Port

Note: Lead free refers to the wetted surface of the pipe, fittings and fixtures in potable water systems that have a weighted average lead content 0.25%. Source: California Health and Safety code (116875).

The information presented on this sheet is correct at the time of publication. Milwaukee Valve reserves the right to change design, and/or material specifications without notice. For the Installation, Operation and Maintenance Manual (IOM) see the engineering section on our website. For the most current information access www.milwaukeevalve.com

