

A-100NA

Fixed Speed

Dial Knob Control

60 second cycle timer



Features:

- Peristaltic pump design does not have valves that can clog requiring maintenance.
- Self priming - even against maximum line pressure. By-pass valves are not required. Cannot vapor lock or lose prime.
- Outputs to 250 ml/min (95.1 GPD).
- Output pressures to 100 PSI.
- Output volume is not effected by changes in back pressure.
- Patented pump tube design installs easily and stays centered on the rollers without manual adjustment.
- Two pump tubes supplied with each pump. No extra tubing required.

- Easy to use dial knob output control.
- 20:1 turndown ratio.
- Adjustable 60 second repeating interval timer. 3-60 second adjustable on time per 60 second cycle.
- Built-in Tube Failure Detection system (TFD). Senses chemical in the pump head, shuts off the pump and activates an NPN open collector output.
- Compatible with Blue-White's output flow verification sensor system.
- Durable housing of chemical resistant Valox (PBT) thermoplastic.

Specifications:

Max. working pressure:100 psig (6.9 bar)
 Max. fluid temperature:130° F (54° C)
 Max. ambient temperature: ..14° to 110° F/ -10° to 43° C
 Output adjustment range:5-100%
 Duty cycle:.....Continuous
 Maximum viscosity:5,000 Centipoise
 Maximum suction lift:30 ft. Water 0 psig
 Maximum Solids:50% by volume
 Enclosure:NEMA 3R, (IP23)
 Approximate shipping wt: ...10 lb. (4.5 kg)

Voltage (max amp):115VAC/60Hz, 14 & 30 rpm = 1.37 amp
 45 & 60 rpm = 1.87 amp
 230VAC/60Hz, 14 & 30 rpm = 0.64 amp
 45 & 60 rpm = 0.74 amp
 220VAC/50Hz, 14 & 30 rpm = 0.68 amp
 45 & 60 rpm = 1.14 amp
 240VAC/50Hz, 14 & 30 rpm = 0.66 amp
 45 & 60 rpm = 1.04 amp
 Power Cord Plug Type:.....115V60Hz = NEMA 5/15 (USA)
 230V60Hz = NEMA 6/15 (USA)
 220V50Hz = CEE 7/VII (EUROPE)
 240V50Hz = CEE 7/VII (U.K)

Materials of Construction:

Wetted components:

Pump Tube Assembly:Flex-A-Prene®, Flex-A-Thane® or FKM tubing
 PVDF tube assembly connection fittings
 Suction Tubing:.....Clear PVC
 Suction Strainer:Natural Polypropylene
 Discharge Tubing:.....Natural Polyethylene (LLDPE)
 Injection/Check valve:
 Body & insert:Polypropylene (optional PVDF)
 Check Ball:Ceramic
 Spring:Hastelloy C-276
 Ball Seat O-ring:.....TFE/P (optional EP)
 Static Seal O-ring:FKM (optional EP)

Non-Wetted components:

Pump Head & Enclosure:Valox® (PBT) thermoplastic
 Pump Head Cover:Clear Acrylic
 Cover Screws:300 Stainless, Polypropylene cap
 Roller Assembly:
 Rotor:Valox® (PBT)
 Rollers:Nylon
 Roller Bearings:Bronze
 Motor Shaft:Nickel plated steel
 TFD System Sensor pins:Hastelloy C-276
 Power Cord:3 conductor, SJTW-A Water-resistant

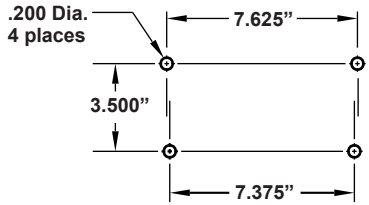
Blue-White®

FLEXFLO® Peristaltic Metering Pumps

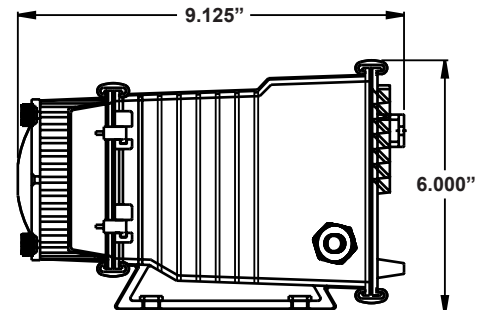
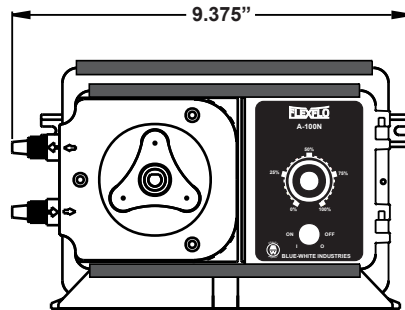
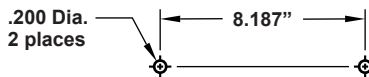
Industries, Ltd.

Dimensions:

Base Mounting



Rear Panel Mounting



Model Number Matrix:

MODEL A1N [] [] A - [] [] - [] []

| Maximum Motor RPM | |
|-------------------|----------|
| 0 | = 14 RPM |
| 1 | = 30 RPM |
| 2 | = 45 RPM |
| 3 | = 60 RPM |

| Power Supply | |
|--------------|-------------|
| 0 | = 115V60Hz |
| 1 | = 220V50Hz* |
| 2 | = 230V60Hz |
| 8 | = 240V50Hz |

| Output Control | |
|----------------|---|
| A | = Analog timer, 60 sec. Cycle - 100% duty |
| C | = Analog timer, 5 sec. Cycle - 100% duty |
| S | = Analog timer, 60 sec. Cycle - 10% duty |
| V | = Digital speed control with external input |
| F | = Analog speed control |
| E | = Digital batch timer with external input |
| Z | = Proportional feed system - JBox/Cord |
| X | = No output control - fixed feed rate |

| Miscellaneous Options (not required) | |
|--------------------------------------|--|
| 1 | = T140-6V injector replaces A-014N-6A |
| 2 | = C-340V footvalve replaces C-342-6 strainer |
| 5 | = A-014NK-6A injector PVDF |
| T7 | = 7 gallon chemical tank system |
| T15 | = 15 gallon chemical tank system |
| T30 | = 30 gallon chemical tank system |

| Tubing Connection Type | |
|------------------------|-------------------------|
| T | = Compression tube nuts |

| Pump Tube Size and Material | |
|-----------------------------|--------------------------|
| 1 | = 1/4" OD Flex-A-Thane® |
| 2 | = 3/8" OD Flex-A-Thane® |
| 3 | = 7/16" OD Flex-A-Thane® |
| 4 | = 1/4" OD Flex-A-Prene® |
| 5 | = 5/16" OD FKM |
| 6 | = 3/8" OD Flex-A-Prene® |
| 7 | = 7/16" OD Flex-A-Prene® |
| 8 | = 7/16" OD Flex-A-Chem® |

Maximum Flow rate and pressure capacities:

| Tube no. | Tubing Material | 14 RPM MODELS | | | | | 30 RPM MODELS | | | | | 45 RPM MODELS | | | | | 60 RPM MODELS | | | | |
|----------|-----------------|---------------|------|------|------|----------|---------------|------|-------|------|----------|---------------|------|-------|------|----------|---------------|-------|-------|------|----------|
| | | ml/m | oz/m | lph | gph | PSI(bar) | ml/m | oz/m | lph | gph | PSI(bar) | ml/m | oz/m | lph | gph | PSI(bar) | ml/m | oz/m | lph | gph | PSI(bar) |
| 1 | Flex-A-Thane® | 15 | 0.51 | 0.90 | 0.24 | 65(4.5) | 35 | 1.18 | 2.10 | 0.55 | 65(4.5) | 54 | 1.83 | 3.24 | 0.86 | 65(4.5) | 67 | 2.26 | 4.02 | 1.06 | 65(4.5) |
| 2 | Flex-A-Thane® | 32 | 1.08 | 1.92 | 0.51 | 65(4.5) | 75 | 2.54 | 4.50 | 1.19 | 65(4.5) | 115 | 3.89 | 6.90 | 1.82 | 65(4.5) | 140 | 4.73 | 8.40 | 2.22 | 65(4.5) |
| 3 | Flex-A-Thane® | 73 | 2.47 | 4.37 | 1.16 | 50(3.5) | 173 | 5.85 | 10.38 | 2.74 | 50(3.5) | 261 | 8.82 | 15.66 | 4.14 | 50(3.5) | 326 | 11.01 | 19.56 | 5.17 | 50(3.5) |
| 4 | Flex-A-Prene® | 6 | 0.20 | 0.36 | 0.10 | 100(6.9) | 13 | 0.44 | 0.78 | 0.21 | 100(6.9) | 21 | 0.71 | 1.26 | 0.33 | 100(6.9) | 25 | 0.85 | 1.50 | 0.40 | 75(5.2) |
| 5 | FKM | 11 | 0.37 | 0.66 | 0.17 | 25(1.7) | 26 | 0.88 | 1.56 | 0.41 | 25(1.7) | 39 | 1.31 | 2.34 | 0.62 | 25(1.7) | 48 | 1.62 | 2.88 | 0.76 | 25(1.7) |
| 6 | Flex-A-Prene® | 18 | 0.61 | 1.08 | 0.29 | 100(6.9) | 42 | 1.42 | 2.52 | 0.67 | 100(6.9) | 63 | 2.13 | 3.78 | 1.00 | 100(6.9) | 79 | 2.67 | 4.74 | 1.25 | 75(5.2) |
| 7 | Flex-A-Prene® | 57 | 1.92 | 3.42 | 0.90 | 50(3.5) | 138 | 4.66 | 8.28 | 2.19 | 50(3.5) | 200 | 6.76 | 12.00 | 3.17 | 50(3.5) | 250 | 8.45 | 15.00 | 3.96 | 50(3.5) |
| 8 | Flex-A-Chem® | 40 | 1.35 | 2.40 | 0.63 | 50(3.5) | 84 | 2.80 | 5.04 | 1.31 | 50(3.5) | 140 | 4.73 | 8.40 | 2.22 | 50(3.5) | 180 | 6.10 | 10.80 | 2.85 | 50(3.5) |

Gallons shown are U.S. Gallons

Replacement Pump Tubes:

| Pump Model Number Suffix | Pump Tube Part Number | Pump Tube Material | Nominal Pump Tube OD |
|--------------------------|-----------------------|--------------------|----------------------|
| -1T | A1-1T | Flex-A-Thane® | 1/4" (6,4mm) |
| -2T | A1-2T | Flex-A-Thane® | 3/8" (9,5mm) |
| -3T | A1-3T | Flex-A-Thane® | 7/16" (11,1mm) |
| -4T | A1-4T | Flex-A-Prene® | 1/4" (6,4mm) |
| -5T | A1-5T | FKM | 5/16" (7,9mm) |
| -6T | A1-6T | Flex-A-Prene® | 3/8" (9,5mm) |
| -7T | A1-7T | Flex-A-Prene® | 7/16" (11,1mm) |
| -8T | A1-8T | Flex-A-Chem® | 7/16" (11,1mm) |

Get a quote on Blue-White Pumps today:

Commercial Industrial Supply

1444 E. Main St., Rock Hill, SC 29730 USA

Tel: (866) 777-8001 Email: info@emailcis.com

Blue-White®
Industries, Ltd.