

Explosionproof



Agency Approvals:

2007 Class I, Division 1, Groups C & D/ T6 Ta = 60 Deg C
Class II, Division 1, Groups E, F & G/ T6 Ta = 60 Deg C

2200 Ex II 2 G Ex d IIB+H2* Ex tD A21 IP6X T*

Type 4, 4X Enclosures

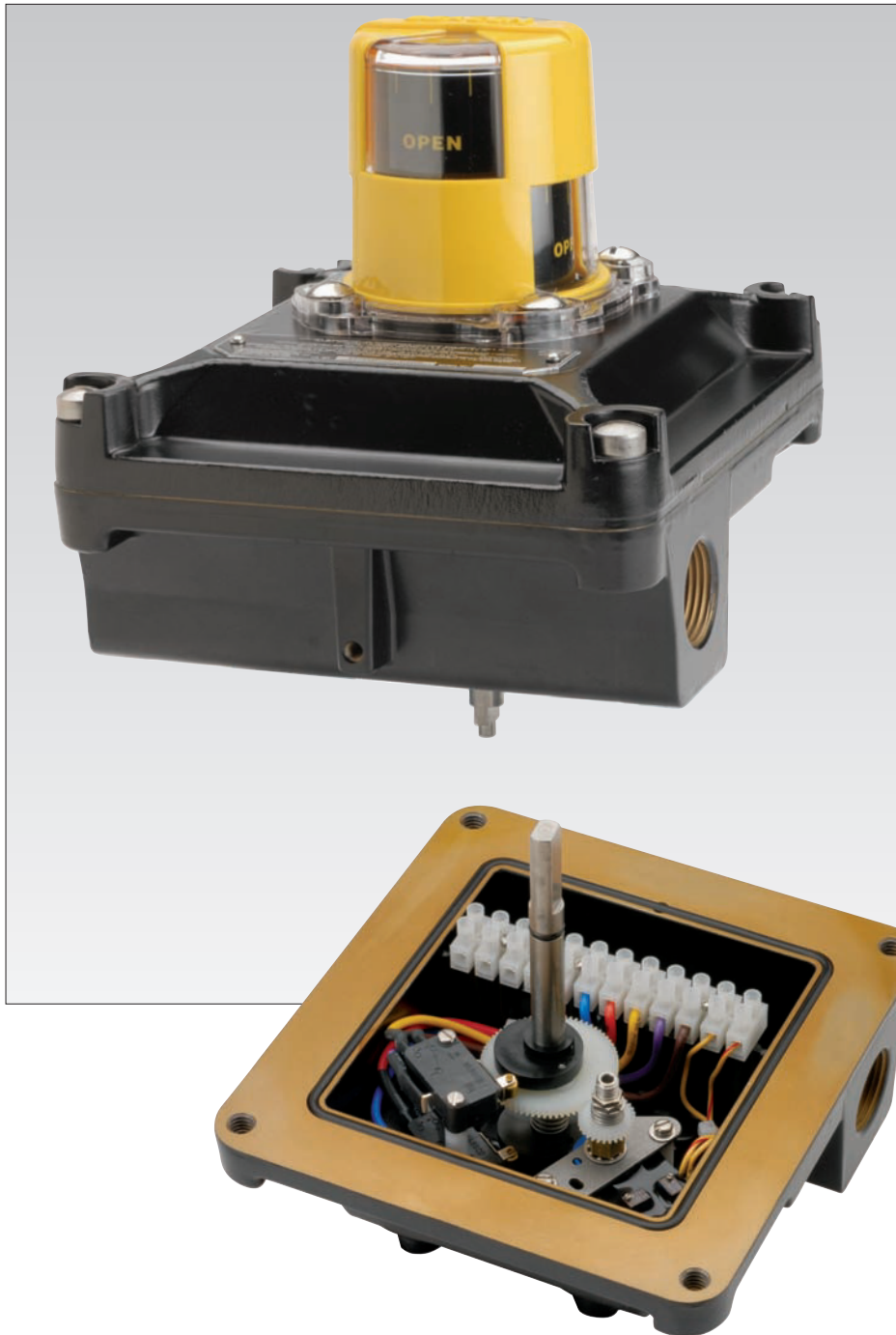
Product Overview

AccuTrak™ Rotary Position Monitors with mechanical switches.

2007, 2200 – Aluminum Enclosure with powder coat finish

Features and Benefits

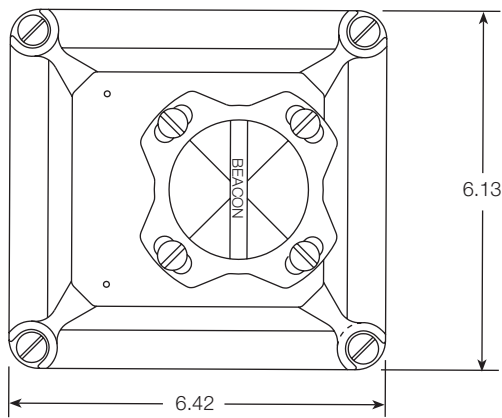
- 4 DPDT or 6 SPDT switch option and up to a 24 point terminal strip available.
- The Eliminator option provides an easy integrated connection to an external solenoid valve.
- CS Transmitter Option – Combine local visual display with 4-20 mA position feedback. The analog current transmitter features the latest technology in solid state design with one of the lowest operating voltages (6.5 VDC) in the industry.
- The Westlock Beacon is manufactured from a high impact strength and corrosion resistant co-polyester that offers 360 degree instant visual recognition of valve position from up to 150 feet away.
- Touch set cams are hand adjustable, spring loaded and self-locking providing quick calibration of position sensors.
- Terminal strips are pre-wired and numbered with generous working space for ease of use.
- All units are standard with an additional conduit for easy field wiring and mounting accessories.
- All AccuTrak™ and Quantum products utilize a standardized mounting pattern for easy adaptation to common bracketry.
- Low copper content aluminum enclosures (0.2% maximum copper content) ensure robust performance in corrosive environments.
- Captive screws on cover prevent lost screws during installation and maintenance.



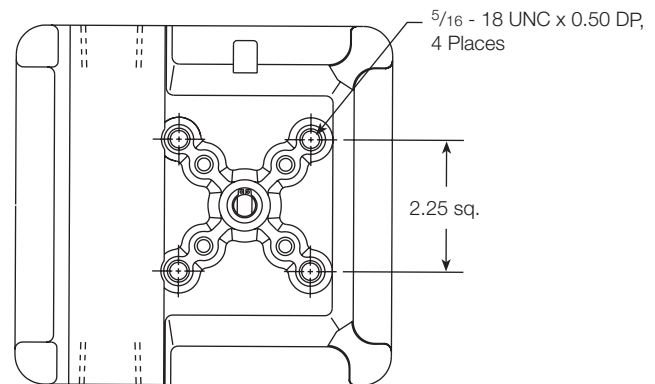
Westlock is either a trademark or registered trademark of Tyco International Services AG or its affiliates in the United States and/or other countries. All other brand names, product names, or trademarks belong to their respective holders.

Explosionproof

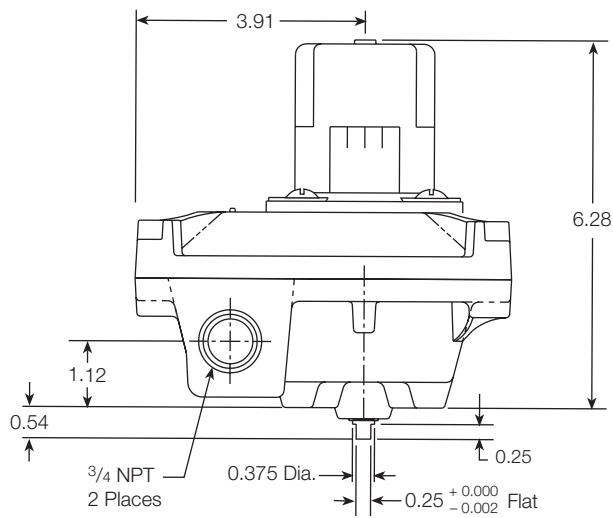
Dimensions



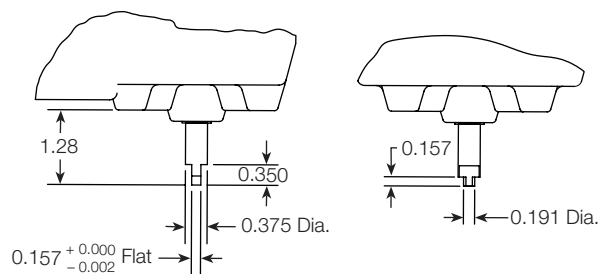
Top View



Bottom View



Side View



Optional NAMUR Shaft

Technical Specifications

Materials of Construction

Enclosure: Aluminum with polyester powder coat
 Shaft and hardware: Stainless steel
 Bushing: Oil impregnated bronze
 Beacon visual indicator: Co-polyester

Available Switches

- V3 mechanical switches, SPDT
- DPDT (Form CC) mechanical switches
- GO® switches

For switch electrical ratings see reference section

Options

4-20 mA position transmitter

For transmitter specifications see reference section

2007 Ordering Guide

Base Model

2007 Aluminum Enclosure

Shaft Output

- S Standard (Double-D with 1/4" Flats)
- D Direct Mount to Keystone 79U and MRP actuators
- N NAMUR

Beacon

- BY BM2-Y (Standard)
- RG BM2-RG (Red Closed/Green Open)
- FE BM2-Y-FE (French/English)
- AB BM2-B
- AR BM2-R
- B1 BM3-1
- B3 BM3-3
- B5 BM3-5
- B7 BM3-7
- B9 BM3-9
- FC Flat Cover

Conduit

- 2B Two 3/4" NPT (F)
- 4B Four 3/4" NPT (F)
- 2E One 3/4" NPT (F) and One 1/2" NPT (M) Eliminator Fitting*
- 4E Three 3/4" NPT (F) and One 1/2" NPT (M) Eliminator Fitting*
- 4F Two 3/4" NPT (F) and Two 1/2" NPT (M) Eliminator Fitting*

Position Switches

- 2M02 Two SPDT Mechanical Switches - 8 pt. Terminal Strip
- 4M02 Four SPDT Mechanical Switches - 16 pt. Terminal Strip
- 6M02 Six SPDT Mechanical Switches - 24 pt. Terminal Strip
- 2M04 Two DPDT Mechanical Switches - 16 pt. Terminal Strip
- 4M04 Four DPDT Mechanical Switches - 24 pt. Terminal Strip
- 2M03 Two SPDT GO® Switches - 12 pt. Terminal Strip
- 4M03 Four SPDT GO® Switches - 16 pt. Terminal Strip

Analog Position Transmitter

- 00 None
- CS 4-20 mA Position Transmitter - 12 pt. TS w/2M02,
16 pt. TS w/2M04 and 4M02 (not available with 4M04, 6M02, 2M03, 4M03 switch options)

2007 N BY 2B 2M02 00 = Model Number **2007NBY2B2M0200**

* Eliminator Fitting is 1/2" NPT (M) for the purpose of mounting an after market solenoid valve.

Explosionproof

2200 Ordering Guide

Base Model

22 2200 Aluminum Enclosure

Beacon

4 Beacon
6 Flat Cover

Position Switches

5 SPDT Mechanical Switches
6 DPDT Mechanical Switches

Material

A Aluminum

Beacon

BY BM2-Y (Standard)
AB BM2-B
AR BM2-R
GR BM2-RG (Red Closed/Green Open)
B1 BM3-1
B3 BM3-3
B5 BM3-5
B7 BM3-7
B9 BM3-9
00 Flat Cover

Shaft Output

S Standard (Double-D with 1/4" Flats)
N NAMUR

Analog Position Transmitter

000 None
OCS 4-20 mA Position Transmitter

Switch/Sensor Quantity

2 Two Switches
4 Four Switches
6 Six Switches (Available for SPDT Switches only)

Conduit

2 Two M20 Standard (Contact sales representative for other conduit options)
4 4 M20 Standard

Unit Specification

AAA No Special Content – Standard material and build
*** Non Standard Build Code (Contact sales representative)

Certification

-A Atex
-I IEC

Revision

R* Revision #

22 4 5 A BY N 000 2 2 AAA -A R1 = Model Number **2245ABYN00022AAA-AR1**

USA/Canada: Saddle Brook, NJ
Ph: 201-794-7650
Dedicated Order Fax: 201-794-4790
General Fax: 201-794-0913

www.westlockcontrols.com

Europe/Asia: Kent, England
Ph: + 44 189 251 6277
Fax: + 44 189 251 6279
www.westlockuk.com

South America: Barueri, Sao Paulo
Ph: + 55 11 2588 1400
Fax: + 55 11 2588 1410
www.westlock.com.br

Tyco Flow Control (TFC) provides the information herein in good faith but makes no representation as to its comprehensiveness or accuracy. This data sheet is intended only as a guide to TFC products and services. Individuals using this data sheet must exercise their independent judgment in evaluating product selection and determining product appropriateness for their particular purpose and system requirements. TFC MAKES NO REPRESENTATIONS OR WARRANTIES, EITHER EXPRESS OR IMPLIED, INCLUDING WITHOUT LIMITATION ANY WARRANTIES OF MERCHANTABILITY OR FITNESS FOR A PARTICULAR PURPOSE WITH RESPECT TO THE INFORMATION SET FORTH HEREIN OR THE PRODUCT(S) TO WHICH THE INFORMATION REFERS. ACCORDINGLY, TFC WILL NOT BE RESPONSIBLE FOR DAMAGES (OF ANY KIND OR NATURE, INCLUDING INCIDENTAL, DIRECT, INDIRECT, OR CONSEQUENTIAL DAMAGES) RESULTING FROM THE USE OF OR RELIANCE UPON THIS INFORMATION. Patents and Patents Pending in the U.S. and foreign countries. Tyco reserves the right to change product designs and specifications without notice. All registered trademarks are the property of their respective owners. Printed in the USA.