

Jerritt Series

Ultra High-Efficiency 1.0 GPF Two Piece Toilet



Product Features



- Gravity fed 1.0gpf UHET, Ultra High-Efficiency Toilet
- 2-piece vitreous china
- 2" fully glazed trapway
- 6" x 5-1/4" (RF) / 7" x 6" (EL) water surface
- Anti-siphon fill valve
- Jetted box rim
- Close coupled tank with cover
- Quick connect, 2-bolt tank-to-bowl installation
- Comes standard with a color matching trip lever
- 2" x 3" flush valve
- Sanitary bar on all bowls
- Seat and supply not included
- Available in 10", 12", 14" RI
- Available with RH trip lever
- Available in round front, elongated, chair height elongated and ADA elongated
- EPA WaterSense Certified
- MaP Premium rated
- White only



PF1403TWH/PF2312WH

Codes and Standards

- IAPMO/UPC
- ASME A112.19.2
- CSA B45.0
- CSA B45.1

Model	Model Description
*PF1400T	1.1-1.6 RF UNIV BOWL
*PF1401T	1.1-1.6 EL UNIV BOWL
PF1402T 	1.1-1.6 CH EL UNIV BOWL
PF1403T 	1.1-1.6 ADA UNIV BOWL
PF2312WH	UHET TANK ONLY 12" RI FOR 1400 SERIES
PF2312RWH	UHET RIGHT HAND TANK ONLY 12" RI FOR 1400 SERIES
PF2310WH	UHET TANK ONLY 10" RI FOR 1400 SERIES
PF2314WH	UHET TANK ONLY 14" RI FOR 1400 SERIES

* = complies with CSA B651
wheelchair symbol = complies with ADA & CSA B651



Jerritt Series

Ultra High-Efficiency 1.0 GPF Two Piece Toilet

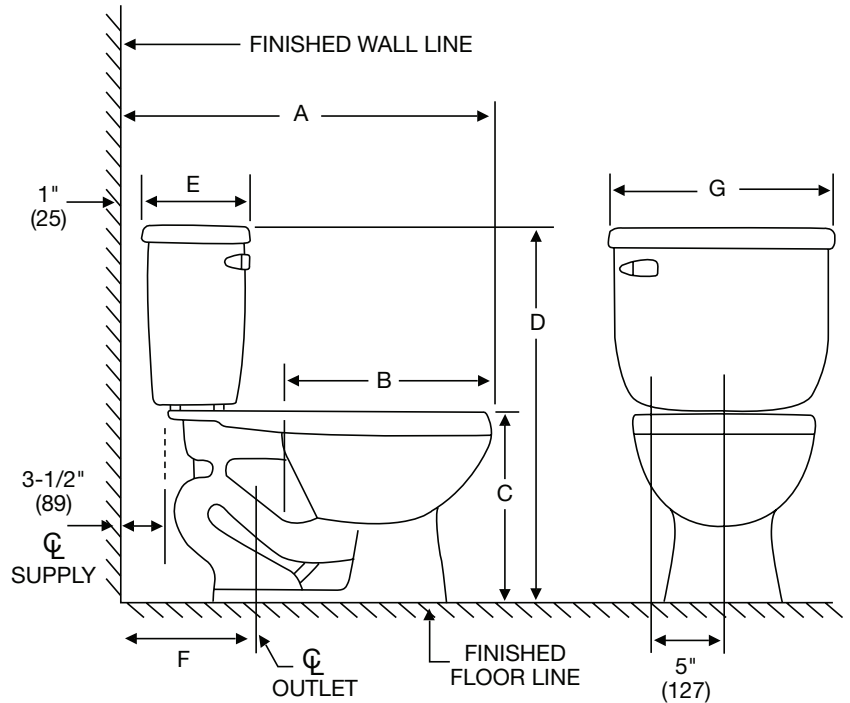


Product Features

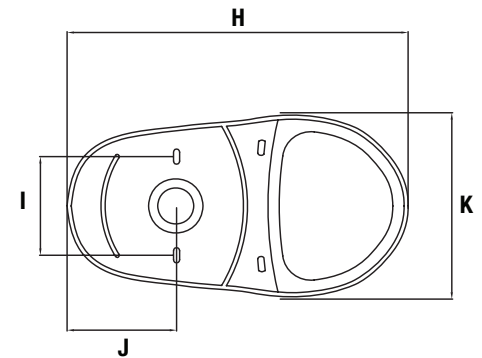
The combination toilet shall be made of vitreous china. Toilet shall be 1.0 GPF (3.78 lpf). Toilet shall have 2" (5.1cm) fully glazed trapway. Toilet shall include color match trip lever. Toilet shall be less seat and supply. Toilet shall be ADA compliant (PF1403T) with 17" high bowl.

Warranty and Codes:

This product comes complete with installation, operating, care and maintenance instructions. All PROFLO fixtures carry a limited lifetime warranty on the vitreous china and a 5-year limited warranty on the parts and fittings. This product meets or exceeds ASME/ANSI A112.19.2M. In an effort to continually improve our products, we will make design changes from time to time. We reserve the right to ship newly designed product to fill any order unless we agree in writing to do otherwise.



	A	B	C	D	E	F	G
PF2314 / PF1400T	30-1/2"	16-1/2"	15"	29-3/4"	9-3/4"	14"	15-3/4"
PF2314 / PF1401T	32-1/2"	18-1/2"	15"	29-3/4"	9-3/4"	14"	15-3/4"
PF2314 / PF1402T	32-1/2"	18-1/2"	16-1/4"	31"	9-3/4"	14"	15-3/4"
PF2314 / PF1403T	32-1/2"	18-1/2"	17"	31-3/4"	9-3/4"	14"	15-3/4"
PF2310 / PF1400T	26-1/2"	16-1/2"	15"	29-3/4"	6-1/4"	10"	17-1/2"
PF2310 / PF1401T	28-1/2"	18-1/2"	15"	29-3/4"	6-1/4"	10"	17-1/2"
PF2310 / PF1402T	28-1/2"	18-1/2"	16-1/4"	31"	6-1/4"	10"	17-1/2"
PF2310 / PF1403T	28-1/2"	18-1/2"	17"	31-3/4"	6-1/4"	10"	17-1/2"
PF2312 / PF1400T	28-1/2"	16-1/2"	15"	29-3/4"	8-1/2"	12"	15-3/4"
PF2312 / PF1401T	30-1/2"	18-1/2"	15"	29-3/4"	8-1/2"	12"	15-3/4"
PF2312 / PF1402T	30-1/2"	18-1/2"	16-1/4"	31"	8-1/2"	12"	15-3/4"
PF2312 / PF1403T	30-1/2"	18-1/2"	17"	31-3/4"	8-1/2"	12"	15-3/4"



Footprint

	RF	EL	CH EL	ADA
	PF1400T	PF1401T	PF1402T	PF1403T
H	18-1/2"	18-1/2"	18-1/2"	18-1/2"
I	6"	6"	6"	6"
J	6-1/8"	6-1/2"	6-1/2"	6-1/2"
K	9"	9"	9"	9"

