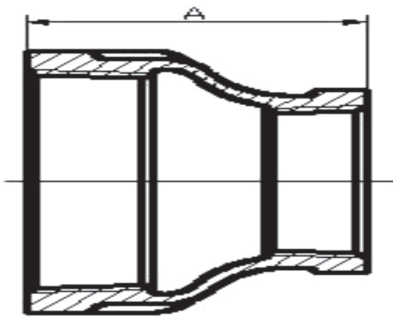
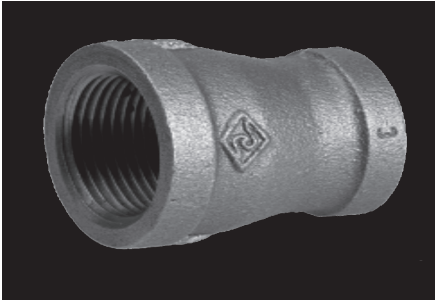


Malleable Iron Fittings

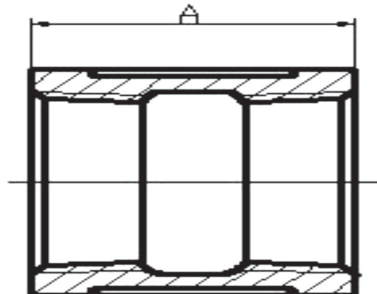
Reducing Coupling



Size (in.)	Part Number		A in Inches
	Black	Galv	
1/4X1/8	IBRCBA	IGRCBA	1
3/8X1/8	IBRCCA	IGRCCA	1.13
3/8X1/4	IBRCCB	IGRCCB	1.13
1/2X1/8	IBRCDA	IGRCDA	1.25
1/2X1/4	IBRCDB	IGRCDB	1.25
1/2X3/8	IBRCDC	IGRCDC	1.25
3/4X1/8	IBRCFA	IGRCFA	1.44
3/4X1/4	IBRCFB	IGRCFB	1.44
3/4X3/8	IBRCFC	IGRCFC	1.44
3/4X1/2	IBRCFD	IGRCFD	1.44
1X1/4	IBRCIB	IGRCIB	1.69
1X3/8	IBRCGC	IGRCGC	1.69
1X1/2	IBRCGD	IGRCGD	1.69
1X3/4	IBRCGF	IGRCGF	1.69
1-1/4X1/2	IBRCHD	IGRCHD	2.06
1-1/4X3/4	IBRCHF	IGRCHF	2.06
1-1/4X1	IBRCHG	IGRCHG	2.06
1-1/2X3/8	IBRCJC		2.06
1-1/2X1/2	IBRCJD	IGRCJD	2.31
1-1/2X3/4	IBRCJF	IGRCJF	2.31
1-1/2X1	IBRCJG	IGRCJG	2.31
1-1/2X1-1/4	IBRCJH	IGRCJH	2.31
2X1/2	IBRCKD	IGRCKD	2.81

Size (in.)	Part Number		A in Inches
	Black	Galv	
2X3/4	IBRCKF	IGRCKF	2.81
2X1	IBRCKG	IGRCKG	2.81
2X1-1/4	IBRCKH	IGRCKH	2.81
2X1-1/2	IBRCKJ	IGRCKJ	2.81
2-1/2X3/4	IBRCLF	IGRCLF	3.25
2-1/2X1	IBRCLG	IGRCLG	3.25
2-1/2X1-1/4	IBRCLH	IGRCLH	3.25
2-1/2X1-1/2	IBRCLJ	IGRCLJ	3.25
2-1/2X2	IBRCLK	IGRCLK	3.25
3X3/4	IBRCMF	IGRCMF	3.69
3X1	IBRCMG	IGRCMG	3.69
3X1-1/4	IBRCMH	IGRCMH	3.69
3X1-1/2	IBRCMJ	IGRCMJ	3.69
3X2	IBRCMK	IGRCMK	3.69
3X2-1/2	IBRCML	IGRCML	3.69
4X1-1/2	IBRCPJ	IGRCPJ	4.38
4X2	IBRCPK	IGRCPK	4.38
4X2-1/2	IBRCPL	IGRCPL	4.38
4X3	IBRCPM	IGRCPM	4.38
5X4	IBRCSP		4.38
6X3	IBRCUM		4.25
6X4	IBRCUP	IGRCUP	4.81

Coupling



Size (in.)	Part Number		A in Inches
	Black	Galv	
1/8	IBCA	IGCA	0.96
1/4	IBCB	IGCB	1.06
3/8	IBCC	IGCC	1.16
1/2	IBCD	IGCD	1.34
3/4	IBCF	IGCF	1.52
1	IBCG	IGCG	1.67
1-1/4	IBCH	IGCH	1.93
1-1/2	IBCI	IGCI	2.15
2	IBCK	IGCK	2.53
2-1/2	IBCL	IGCL	2.88
3	IBCM	IGCM	3.18
4	IBCP	IGCP	3.69