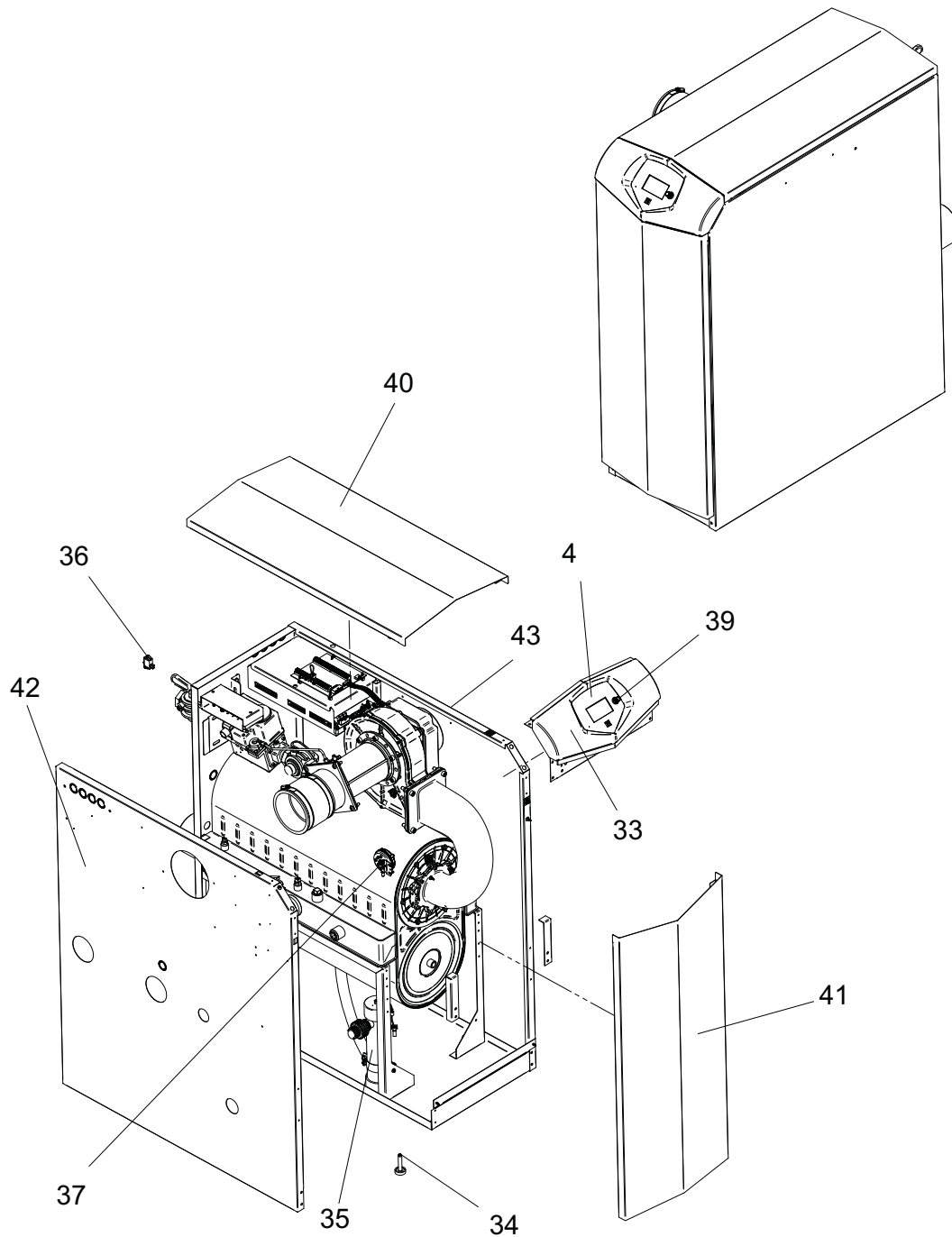




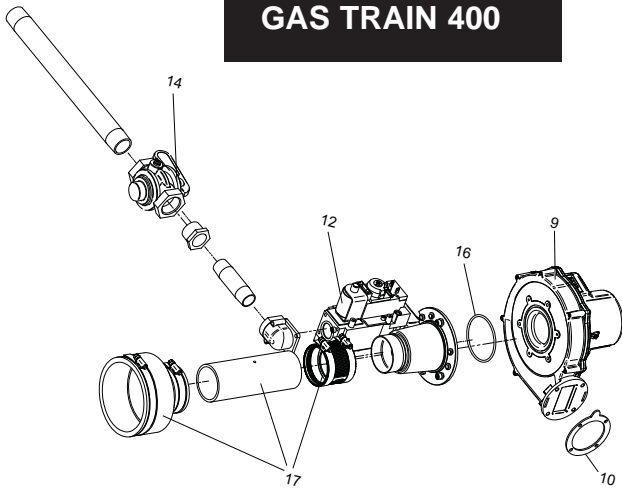
PARTS & SERVICE DEPARTMENT
Nashville, Tennessee
615-889-8900 • Fax: 615-882-2918
parts_team@lochinvar.com
www.Lochinvar.com

Replacement Parts List

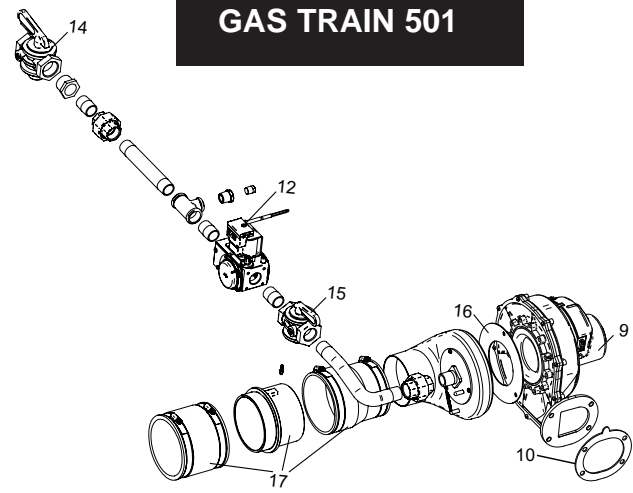
Knight XL
Heating Boilers
KB 400 thru 801



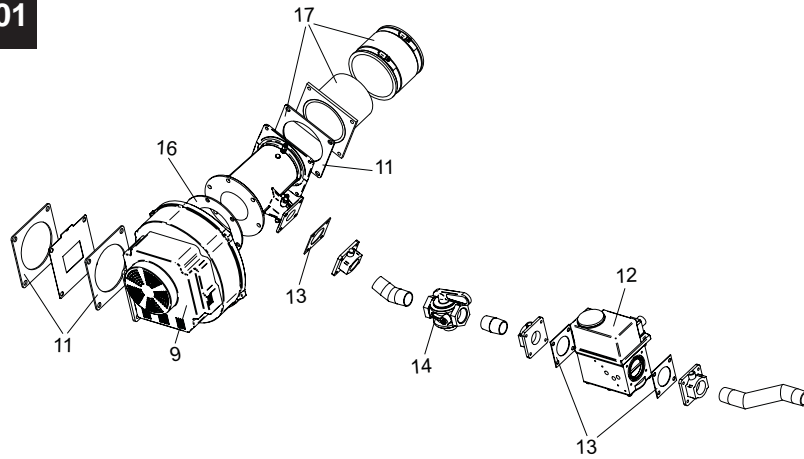
GAS TRAIN 400



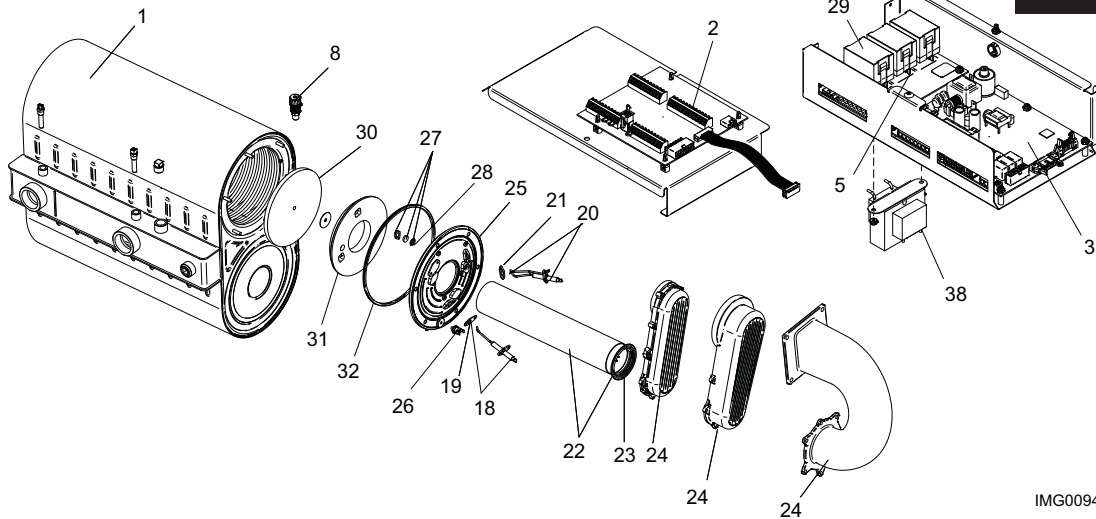
GAS TRAIN 501



GAS TRAIN 601-801



HEAT EXCHANGER 400-801



CONTROL PANEL

IMG00949

ITEM NO.	PART NO.	DESCRIPTION	MODEL
HEAT EXCHANGER ASSEMBLY			
1	100147457	HEAT EXCHANGER	KBN400
1	100147458	HEAT EXCHANGER	KBN501
1	100147460	HEAT EXCHANGER	KBN601
1	100147461	HEAT EXCHANGER	KBN701
1	100147462	HEAT EXCHANGER	KBN801
CONTROLS			
2	100208459	LOW VOLTAGE CONNECTION BOARD	ALL
3	100167793	INTEGRATED CONTROL PRIOR TO SERIAL H10	KBN400
3	100167823	INTEGRATED CONTROL BEGINNING SERIAL H10	KBN400

PLEASE HAVE MODEL AND SERIAL NUMBER WHEN ORDERING PARTS

ITEM NO.	PART NO.	DESCRIPTION	MODEL
CONTROLS (CONTINUED)			
3	100167794	INTEGRATED CONTROL PRIOR TO H10	KBN501
3	100167824	INTEGRATED CONTROL BEGINNING H10	KBN501
3	100167795	INTEGRATED CONTROL PRIOR TO H10	KBN601 - 801
3	100167825	INTEGRATED CONTROL BEGINNING H10	KBN601 - 801
3	100167796	HIGH ALTITUDE INTEGRATED CONTROL PRIOR TO H10	KBN400
3	100167826	HIGH ALTITUDE INTEGRATED CONTROL BEGINNING H10	KBN400
3	100167797	HIGH ALTITUDE INTEGRATED CONTROL PRIOR TO H10	KBN501
3	100167827	HIGH ALTITUDE INTEGRATED CONTROL BEGINNING H10	KBN501
3	100167798	HIGH ALTITUDE INTEGRATED CONTROL PRIOR TO H10	KBN601 - 801
3	100167828	HIGH ALTITUDE INTEGRATED CONTROL BEGINNING H10	KBN601 - 801
4	100208458	USER INTERFACE CONTROL	ALL
	100158022	USER INTERFACE OVERLAY	ALL
5	100208493	RELAY BOARD, 1.5 HP PUMP	ALL
6	100208549	INLET SENSOR	ALL
7	100208544	OUTLET SENSOR/ HIGH LIMIT	ALL
8	100167445	AIR VENT VALVE	ALL
9	100145008	FAN ASSEMBLY	KBN400
9	100145009	FAN ASSEMBLY	KBN501
9	100144980	FAN ASSEMBLY	KBN601 - 801
10	100208101	BLOWER/AIR ARM GASKET	KBN400
10	100208759	BLOWER/AIR ARM GASKET	KBN501
11	100208089	BLOWER/AIR ARM GASKET	KBN601-801
GAS VALVES			
12	100172006	GAS VALVE ASSEMBLY	KBN400
12	100172009	GAS VALVE ASSEMBLY NAT	KBN501
12	100172014	GAS VALVE ASSEMBLY NAT	KBN601
12	100171923	GAS VALVE ASSEMBLY NAT	KBN701
12	100172015	GAS VALVE ASSEMBLY NAT	KBN801
12	100171928	GAS VALVE ASSEMBLY LP	KBL501
12	100171929	GAS VALVE ASSEMBLY LP	KBL601
12	100171930	GAS VALVE ASSEMBLY LP	KBL701
12	100171931	GAS VALVE ASSEMBLY LP	KBL801
13	100208105	GAS VALVE GASKET	KBN601 - 801
14	100146149	GAS CUT OFF VALVE 1X1	ALL
15	100277803	GAS CUT OFF VALVE 3/4 X 3/4	KBN501
16	100208761	GASKET, VENTURI	KBN400
16	100233703	AIR SHROUD GASKET	KBN501
16	100233694	GASKET, VENTURI	KBN601 - 801
17	100163254	AIR INLET KIT	KBN400
17	100163256	AIR INLET KIT	KBN501
17	100163255	AIR INLET KIT	KBN601-801
PILOT & BURNER ASSEMBLIES			
18	100165930	FLAME SENSOR W/ GASKET	KBN400/501
18	100165931	FLAME SENSOR W/ GASKET	KBN601 - 801
19	100208091	GASKET, FLAME SENSOR	ALL
20	100165929	IGNITOR W/ GASKET	KBN400/501
20	100165920	IGNITOR W/ GASKET	KBN601 - 801
21	100208086	GASKET, IGNITOR	ALL
22	100135311	BURNER W/ GASKET	KBN400/501
22	100135313	BURNER W/ GASKET	KBN601
22	100135314	BURNER W/ GASKET	KBN701
22	100135315	BURNER W/ GASKET	KBN801
23	100208085	GASKET, BURNER	KBN400/501
23	100233594	GASKET, BURNER	KBN601 - 801
24	100173792	GAS/AIR ARM ASSEMBLY W/GASKET	KBN400
24	100173793	GAS/AIR ARM ASSEMBLY W/GASKET	KBN501
24	100173798	GAS/AIR ARM ASSEMBLY W/GASKET	KBN601 - 801
25	100173794	HEAT EXCHANGER ACCESS DOOR KIT	KBN400/501
25	100173799	HEAT EXCHANGER ACCESS DOOR KIT	KBN601 - 801
26	100094572	HEX DOOR TEMP SWITCH BEGINNING SERIAL F14	ALL
MISCELLANEOUS			
27	100163249	SIGHT GLASS	ALL
28	100208762	GASKET, SIGHT GLASS	ALL
29	100208502	RELAY, 1.5 HP PUMP	ALL
PLEASE HAVE MODEL AND SERIAL NUMBER WHEN ORDERING PARTS			

ITEM NO.	PART NO.	DESCRIPTION	MODEL
MISCELLANEOUS (CONTINUED)			
30	100208061	DIVIDER PLATE, INSULATION BAFFLE	ALL
31	100208060	BURNER PLATE, INSULATION, DOOR	KBN400/501
31	100208059	BURNER PLATE, INSULATION, DOOR	KBN601 - 801
32	100208088	GASKET DOOR RUBBER	KBN400/501
32	100208093	GASKET DOOR RUBBER	KBN601 - 801
33	100208320	DISPLAY BEZEL	ALL
34	100134788	LEVELING LEGS	ALL
35	100163244	CONDENSATE TRAP	ALL
-	100208243	BLOCKED DRAIN SWITCH	ALL
36	100208242	ON/OFF SWITCH	ALL
37	100208378	PRESSURE SWITCH	KBN400
37	100278037	PRESSURE SWITCH	KBN501
37	100208382	PRESSURE SWITCH	KBN601-801
38	100208230	TRANSFORMER, 40VA	KBN400 - 701
38	100208246	TRANSFORMER, 60VA	KBN801
39	100277824	KNOB, FLUTED W / SKIRT	ALL
-	100208454	RELIEF VALVE 50 PSI	KBN400-601
-	100208442	RELIEF VALVE 50 PSI	KBN701/801
-	100208808	FUSE, 0.8 AMP	ALL
-	100208231	FUSE, 3.15 AMP	ALL
-	100208232	FUSE, 5 AMP	ALL
-	100208653	FLOW SWITCH	ALL
-	100163053	HIGH VOLTAGE CONNECTION BOARD	ALL
-	100208834	OUTDOOR AIR SENSOR	ALL
-	100208152	GAUGE TRIOMETER, 75# PSI	ALL
-	100170642	FLUE TEMP SENSOR KIT	ALL
-	100189054	KIT, COLLAR FLUE 4"	KBN400-601
-	100208652	MRLWCO WITH TEST	ALL
-	100157719	ALARM BELL	ALL
-	100159011	LP CONVERSION KIT	KBN400
-	100159012	LP CONVERSION KIT (AFTER SERIAL# J07 FOR KBN500)	KBN501-801
-	100208552	SYSTEM SENSOR	ALL
-	100208569	BULB WELL 1/4"	ALL
-	100148402	LIMIT, HEAT EXCHANGER OVER TEMP	ALL
-	100172805	HARNESS, POWER	ALL
-	100208625	HARNESS, CONNECTION BOARD	ALL
-	100072937	HARNESS, UNIT	ALL
-	100208618	HARNESS, SPARK ELECTRODE	KBN400 & 501
-	100208623	HARNESS, SPARK ELECTRODE	KBN601-801
-	100208636	CABLE, RIBBON	KBN400 & 501
-	100208638	CABLE, RIBBON	KBN601-801
-	100208637	HARNESS, GAS VALVE	KBN400
-	100173314	HARNESS, GAS VALVE	KBN500
-	100172958	HARNESS, GAS VALVE	KBN601-801
-	100208622	HARNESS, FLAME SENSE ELECTRODE	ALL
JACKET ASSEMBLY			
40	100149826	JACKET, TOP	KBN400
40	100149695	JACKET, TOP	KBN501
40	100149828	JACKET, TOP	KBN601
40	100149829	JACKET, TOP	KBN701
40	100267269	JACKET, TOP	KBN801
41	100149694	JACKET, FRONT	ALL
42	100149873	JACKET, LEFT SIDE	KBN400
42	100149860	JACKET, LEFT SIDE	KBN501
42	100149859	JACKET, LEFT SIDE	KBN601
42	100149858	JACKET, LEFT SIDE	KBN701
42	100149857	JACKET, LEFT SIDE	KBN801
43	100150295	JACKET, RIGHT SIDE	KBN400
43	100150297	JACKET, RIGHT SIDE	KBN501
43	100150299	JACKET, RIGHT SIDE	KBN601
43	100150301	JACKET, RIGHT SIDE	KBN701
43	100150302	JACKET, RIGHT SIDE	KBN801

PLEASE HAVE MODEL AND SERIAL NUMBER WHEN ORDERING PARTS