

B3170 - Adjustable Band Hanger (TOLCO Fig. 2)

B3170F - Adjustable Band Hanger Felt Lined (TOLCO Fig. 2F)

Size Range: 2 1/2" (65mm) thru 8" (200mm) pipe

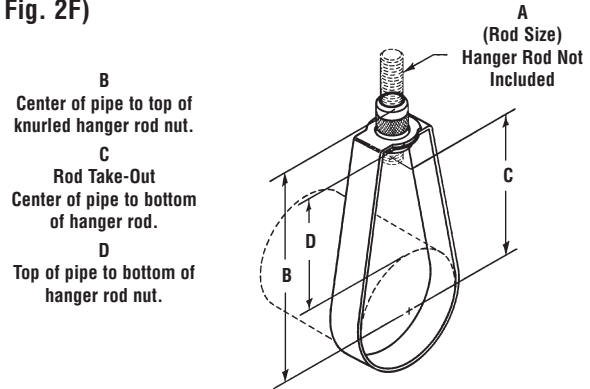
Material: Steel
Available in stainless steel

Function: Recommended for the suspension of non-insulated pipe or insulated pipe with B3151 shield.

Approvals: Conforms to Federal Specification WW-H-171E & A-A-1192A, Type 10 and Manufacturers Standardization Society ANSI/MSS SP-69 & SP-58, Type 10.

Standard Finish: Pre-Galvanized

Order By: Figure number and finish.



B3170F



B3170



Part No.	Nominal Pipe Size		Rod Size A	B		C		D	
	in.	(mm)		in.	(mm)	in.	(mm)	in.	(mm)
B3170-2 1/2	2 1/2"	(65)	1/2"-13	4"	(101.6)	2 5/8"	(66.7)	1 9/16"	(39.7)
B3170-3	3"	(75)	1/2"-13	4 1/2"	(114.3)	3 1/8"	(79.4)	1 5/8"	(41.3)
B3170-3 1/2	3 1/2"	(90)	1/2"-13	4 15/16"	(125.4)	3 9/16"	(90.5)	1 13/16"	(46.0)
B3170-4	4"	(100)	5/8"-11	5 3/16"	(131.8)	3 5/8"	(92.1)	1 5/8"	(41.3)
B3170-5	5"	(125)	5/8"-11	5 25/32"	(146.8)	4 1/8"	(104.8)	1 5/8"	(41.3)
B3170-6	6"	(150)	3/4"-10	7"	(177.8)	5 1/16"	(128.6)	2"	(50.8)
B3170-8	8"	(200)	3/4"-10	8"	(203.2)	6 5/16"	(160.3)	2 1/2"	(63.5)

Part No.	Max. Rec. Load		Approx. Wt./100	
	lbs.	(kN)	lbs.	(kg)
B3170-2 1/2	300	(1.33)	29	(13.1)
B3170-3	300	(1.33)	34	(15.4)
B3170-3 1/2	300	(1.33)	42	(19.0)
B3170-4	475	(2.11)	54	(24.5)
B3170-5	475	(2.11)	97	(44.0)
B3170-6	950	(4.22)	113	(51.2)
B3170-8	950	(4.22)	140	(63.5)

All dimensions in charts and on drawings are in inches. Dimensions shown in parentheses are in millimeters unless otherwise specified.

Pipe Hangers

B3170CT - Adjustable Swivel Hanger for Copper Tubing (TOLCO Fig. 202)

B3170CTC - Adjustable Swivel Hanger for Copper Tubing - Plastic Coated

Size Range: 1/2" (15mm) thru 6" (150mm) copper tubing

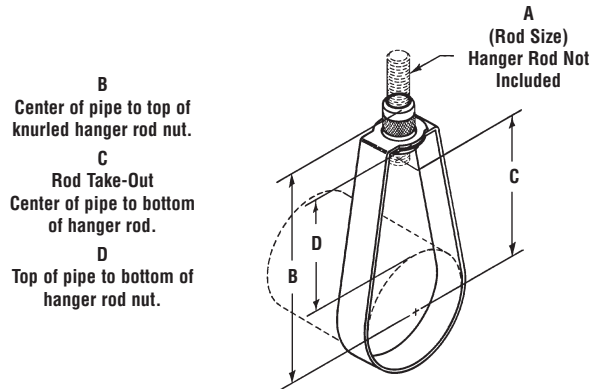
Material: Steel

Function: Recommended for the suspension of copper tubing, allowing for vertical adjustment. (Available with plastic coating to provide additional separation between tubing and hanger.)

Approvals: Conforms to Federal Specification WW-H-171E & A-A-1192A, Type 10 and Manufacturers Standardization Society ANSI/MSS SP-69 & SP-58, Type 10.

Standard Finish: DURA-COPPER™

Order By: Figure number and finish.



Part No.	Nominal Pipe Size		Rod Size A	B		C		D	
	in.	(mm)		in.	(mm)	in.	(mm)	in.	(mm)
B3170CT-1/2	1/2"	(15)	3/8"-16	2 1/16"	(52.4)	1 1/8"	(28.6)	3 1/32"	(24.6)
B3170CT-3/4	3/4"	(20)	3/8"-16	2 5/16"	(58.7)	1 5/16"	(33.3)	1 1/32"	(26.2)
B3170CT-1	1"	(25)	3/8"-16	2 1/2"	(63.5)	1 9/16"	(39.7)	1 5/32"	(29.3)
B3170CT-1 1/4	1 1/4"	(32)	3/8"-16	2 1/2"	(63.5)	1 9/16"	(39.7)	1"	(25.4)
B3170CT-1 1/2	1 1/2"	(40)	3/8"-16	2 15/16"	(74.6)	2"	(50.8)	1 5/16"	(33.3)
B3170CT-2	2"	(50)	3/8"-16	3 1/8"	(79.4)	2 1/8"	(54.0)	1 3/16"	(30.2)
B3170CT-2 1/2	2 1/2"	(65)	1/2"-13	4 1/16"	(103.2)	2 9/16"	(65.1)	1 3/8"	(34.9)
B3170CT-3	3"	(75)	1/2"-13	3 15/16"	(100.0)	3 3/4"	(95.2)	1 1/4"	(31.7)
B3170CT-3 1/2	3 1/2"	(90)	1/2"-13	4 7/16"	(112.7)	3 1/4"	(82.5)	1 1/2"	(38.1)
B3170CT-4	4"	(100)	1/2"-13	4 11/16"	(119.1)	3 9/16"	(89.6)	1 9/16"	(39.7)
B3170CT-5	5"	(125)	1/2"-13	5 15/16"	(150.8)	4 5/16"	(109.5)	1 25/32"	(45.2)
B3170CT-6	6"	(150)	1/2"-13	6 1/16"	(169.9)	5 3/16"	(131.8)	2 1/8"	(54.0)

Pipe Hangers

Part No.	Max. Rec. Load		Approx. Wt./100	
	lbs.	(kN)	lbs.	(kg)
B3170CT-1/2	180	(0.80)	8	(6.6)
B3170CT-3/4	180	(0.80)	10	(4.5)
B3170CT-1	180	(0.80)	10	(4.5)
B3170CT-1 1/4	180	(0.80)	12	(5.4)
B3170CT-1 1/2	180	(0.80)	12	(5.4)
B3170CT-2	180	(0.80)	12	(5.4)
B3170CT-2 1/2	200	(0.89)	31	(24.0)
B3170CT-3	250	(1.11)	33	(14.9)
B3170CT-3 1/2	300	(1.33)	39	(17.2)
B3170CT-4	360	(1.60)	40	(18.1)
B3170CT-5	480	(2.13)	95	(43.1)
B3170CT-6	630	(2.80)	118	(53.5)



B3170CT



B3170CTC

All dimensions in charts and on drawings are in inches. Dimensions shown in parentheses are in millimeters unless otherwise specified.