

CTS BELL HANGER

508 series

SPECIFICATION

Sioux Chief 508 series copper plated bell hangers shall be used where necessary to support copper CTS in piping systems. Hanger shall be fastened directly to studs, joists or walls and secured with 2-1/2" mounting screw (provided). Bell hanger shall minimally provide a 3/4" stand off distance from mounting surface. Hanger shall be copper plated. Upper and lower pipe saddles of hanger shall fit 1/2", 3/4" or 1" CTS tube after screws are tightened. Upper pipe saddle may or may not have void in strap for easier installation.

MATERIALS

Bell Hanger: 22-gauge copper plated steel

Mounting Screw: #6 x 2-1/2" bugle head, with coarse threads

Clamping Screws: 3/8" x 10-32 round head

INSTALLATION

Mount hanger directly to stud, joist or wall surface using #6 x 2-1/2" bugle head screw. Once hanger is secured, position copper tube in pipe saddles by loosening each machine screw on either side of clamping saddles. Tighten screws to secure pipe in place.

DIMENSIONS

	Tube Size	1/2" CTS	3/4" CTS	1" CTS
A	Overall Height	1.43"	1.66"	1.94"
B	Bell Height	.75"	.75"	.75"
C	Bell Width	1.645"	1.645"	1.645"
D	Strap Length	1.525"	1.825"	2.11"
E	Strap Width	.633"	.633"	.633"
F	Hole Size	.375"	.375"	.375"

Item # Submitted	_____
Job Name	_____
Location	_____
Engineer	_____
Contractor	_____
PO#	_____ TAG _____



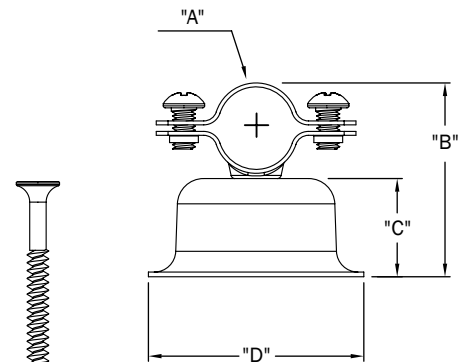
508-2B



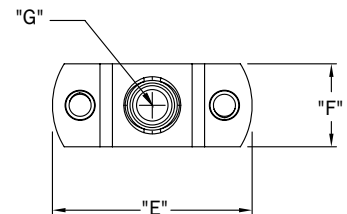
508-3PK



#10-32 Round Head Screw



#2-1/2" Bugle Head Screw



Create Item Number

508-A B

508-2B = 1/2" Bell Hanger - Domestic

A	TUBE SIZE	B	PACKAGE TYPE	COUNTRY OF ORIGIN
<input type="checkbox"/> 2	1/2" CTS	<input type="checkbox"/> B	Bulk	(Made in USA)
<input type="checkbox"/> 3	3/4" CTS	<input type="checkbox"/> PK	Individually Bagged	(Made in China)
<input type="checkbox"/> 4	1" CTS			