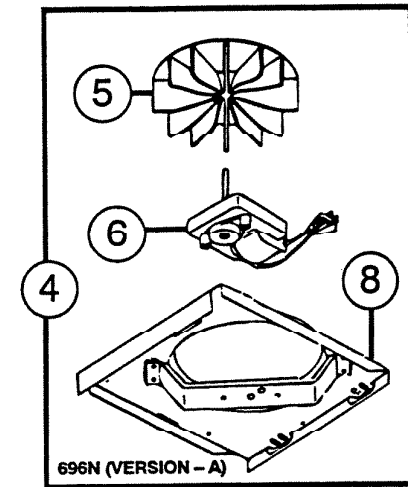
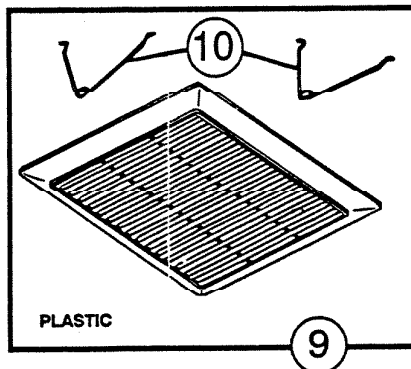
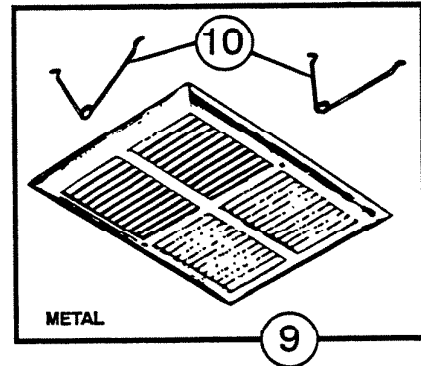
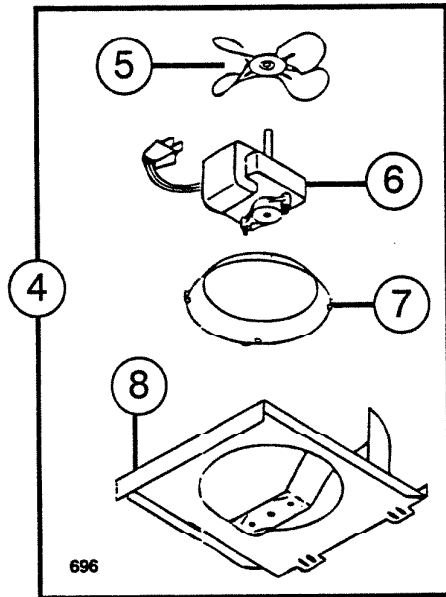
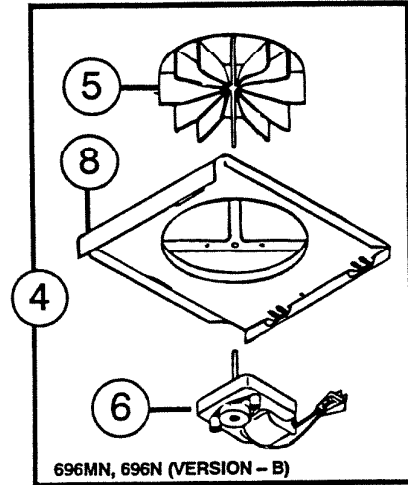
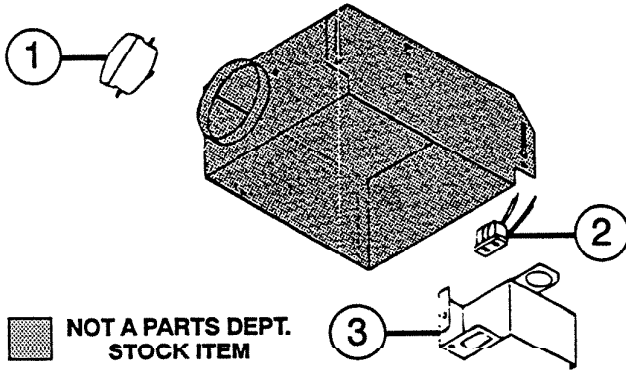


PARTS LIST

EFFECTIVE DATE	MODEL NUMBER	PRODUCT GROUP
JANUARY 1995	696MN NEW 696, 696N REVISED	FAN



NuTone

NuTone
 Attn: Parts Department
 Madison & Red Bank Rds.
 Cincinnati, OH 45227-1599
 Phone: (513) 527-5426
 Fax: (513) 527-5173

REF.	ORIGINAL PART NO.	*PART DESCRIPTION		MODEL USED ON	CURRENT REPLACEMENT PART NO.
1	29865	LOUVER		696MN	29865-000
2	10034	RECEPTACLE		696N (VERSION A&B)	10034-000
3	29864	OUTLET BOX		696	29864-000
4	34742	POWER UNIT ASSEMBLY	VERSION "B" IS USED FOR ALL UNITS	696MN 696N (VERSION B)	34742-000
	68752			696N (VERSION A)	
	29870			696	
5	65879	FAN BLADE		696MN 696N	68920-000
	17728			696	17728-000
6	34484	MOTOR		696MN 696N (VERSION B)	34484-000
	65878			696N (VERSION A)	65878-000
	29936			696	29936-000
7	29958	INLET RING		696	VOID-NOT AVAILABLE
8	34487	MOUNTING PLATE ASSEMBLY		696MN 696N (VERSION B)	34487-000
	68753			696N (VERSION A)	68753-000
	65086			696	68753-000
9	32884	GRILLE W/SPRINGS	METAL	696MN	32884-000
	29873		PLASTIC	696N 696	53098-000
10	29861	SPRING SET (2)		696MN 696N, 696	0442A-000

WHEN REPLACING MOTOR OF 696N AND THE NUMBER OF THE MOTOR CANNOT BE OBTAINED, AND THE VERSION (A OR B) IS UNKNOWN — USE THE REF. #4 (POWER UNIT ASSEMBLY) WHICH WILL FIT ALL UNITS.

↑

NOTE: Always order by current part number