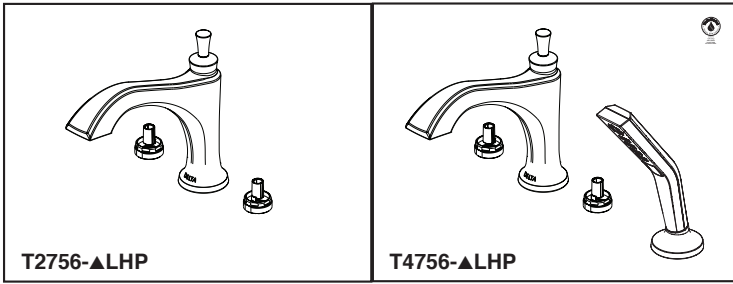




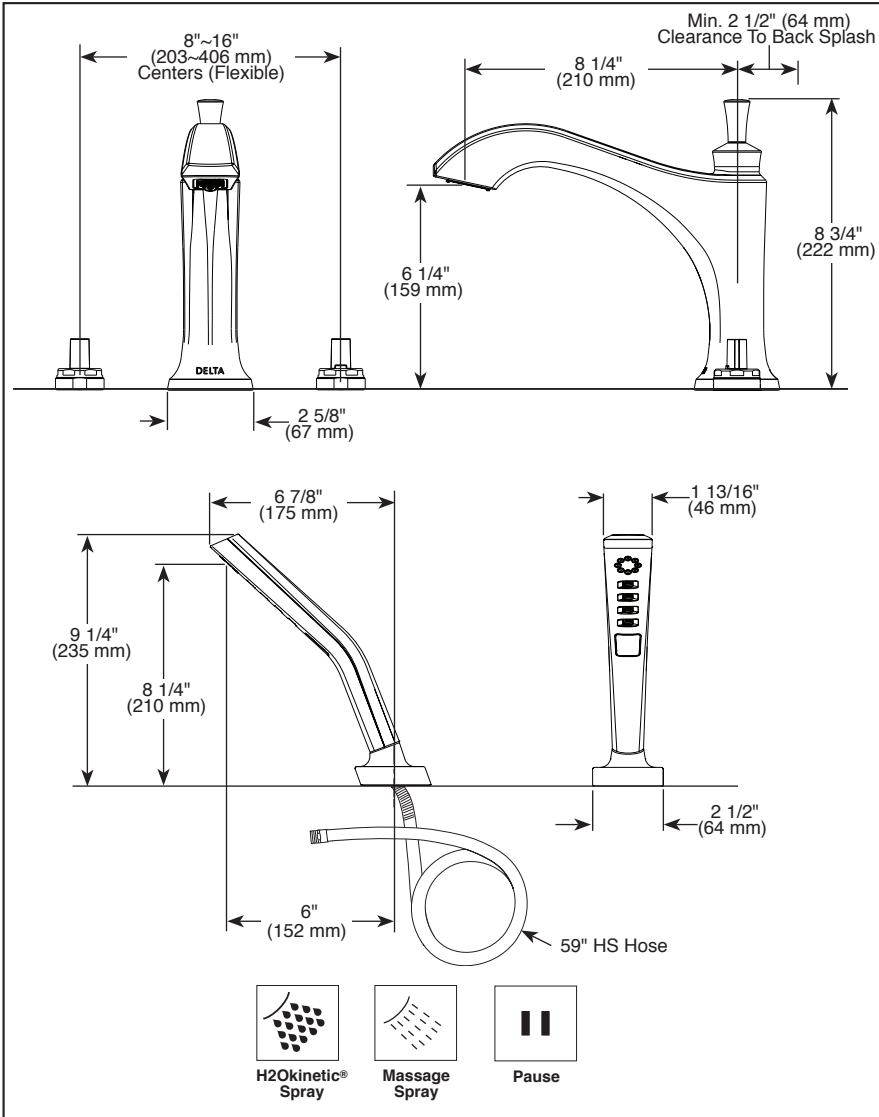
see what Delta can do™

ROMAN TUB/WHIRLPOOL FAUCET TRIM



Submitted Model No.: _____

Specific Features: _____



- Dorval™ Bath Collection
- Three Hole Installation (T2756-LHP Series)
- Four Hole Installation (T4756-LHP Series)

FEATURES:

- Three setting H₂Okinetic® hand shower (T4756-LHP)

STANDARD SPECIFICATIONS:

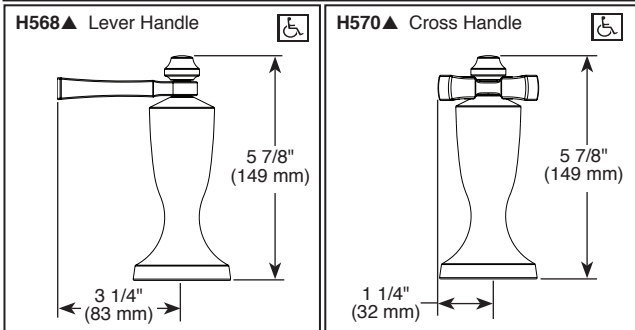
- Temperature and volume controlled with handles
- Rough-In kit must also be ordered to complete installation (R4707 for four hole and R2707 for three hole). There are separate specification sheets on each rough-in kit if more details are required.
- Not compatible for use with R2700 two handle flexible mount rough-in
- Hand shower includes certified double check valves for backflow prevention (T4756)
- Hand shower flow rate 1.75 gpm @ 80 psi, 6.6 L/min @ 550 kPa
- LHP - Less Handle Program. See handle options below.

WARRANTY

- Parts and Finish - Lifetime limited warranty; or for commercial purchasers, 10 years for multi-family residential (apartments and condominiums) and 5 years for all other commercial uses, in each case from the date of purchase.
- Electronic Parts and Batteries (if applicable) - 5 years from the date of purchase; or for commercial purchasers, 1 year from the date of purchase. No warranty is provided on batteries.

COMPLETE VALVE COMPLIES WITH:

- ASME A112.18.1 / CSA B125.1
- ♿ Indicates compliance to - Valve control only ICC/ANSI A117.1
- EPA WaterSense® - Applies to hand shower only- 59799▲-PK



▲ Designate proper finish suffix

Delta reserves the right (1) to make changes in specifications and materials, and (2) to change or discontinue models, both without notice or obligation. Dimensions are for reference only. See current full-line price book or www.deltafaucet.com for finish options and product availability.

DSP-B-T2756-LHP Rev. A

Delta Faucet Company

55 E. 111th Street, Indianapolis, Indiana 46280
350 South Edgeware Road, St. Thomas, ON N5P 4L1
© 2019 Delta Faucet Company