

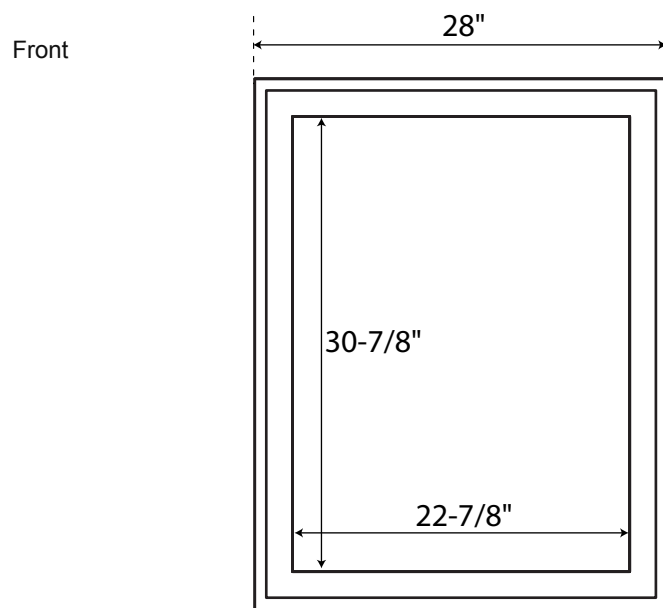


SPECIFICATIONS

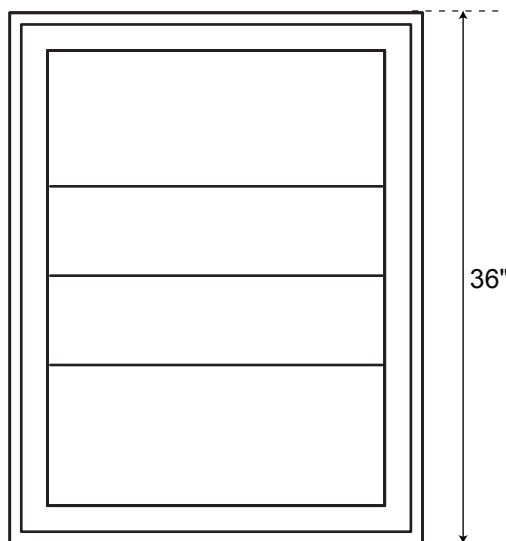
Overall Dimensions	28" W x #" D (front to back) x #" H
Mirror Dimensions	22-7/8" W x 30-7/8" H

Medicine Cabinet (Wall-Mount)

All measurements are approximate.



Interior



Side

