

Eyesaver® Laboratory Widespread Faucet with Integrated Eyewash

EYEWASH FEATURES:

- Independent water channel for eyewash
- Single lever cartridge
- Lift handle activation
- Aerated chrome plated spray outlets with integral flow control and flip-top dust caps
- 2.14 GPM (8.1 L/min) @ 30 PSI flow rate
- 3/8" compression female threaded inlet hose

FAUCET FEATURES:

- Brass construction with polished chrome finish
- Rigid or swivel spout positioning up to 100 degrees, with independent water channel for faucet
- Vandal resistant 4" wrist blade handles with color-coded indexes
- 1/4 turn ceramic cartridges
- 1.5 GPM (5.7 L/min) flow rate
- Inlet supply 3/8" compression with female threads

EYEWASH OPTIONS:

- NA: Non-aerated eyewash outlets

FAUCET OPTIONS:

- 8: 8" Gooseneck spout for faucet
- BO: 0.5 GPM (1.89 L/min) faucet flow control
- LF: 1.5 GPM (5.7 L/min) laminar faucet flow control
- ST: Serrated tip for faucet with vacuum breaker (Not NSF 61/372 compliant)
- TW: Thermostatic mixing valve for tepid water during eye-wash usage

STANDARDS:

- ANSI/ISEA Z358.1 certified
- ASME A112.18.1/CSA B125.1 certified
- IGC 272 certified
- NSF/ANSI 61 certified
- NSF 372 certified

WARRANTY:

Visit www.speakman.com for full product warranty information

- 3 Year Limited Warranty (commercial)



Information continues on next page

**ENSURE YOU ARE ANSI/ISEA Z358.1
Tepid Water Compliant
by incorporating Speakman's 9.7 GPM
Thermostatic Mixing Valve.**



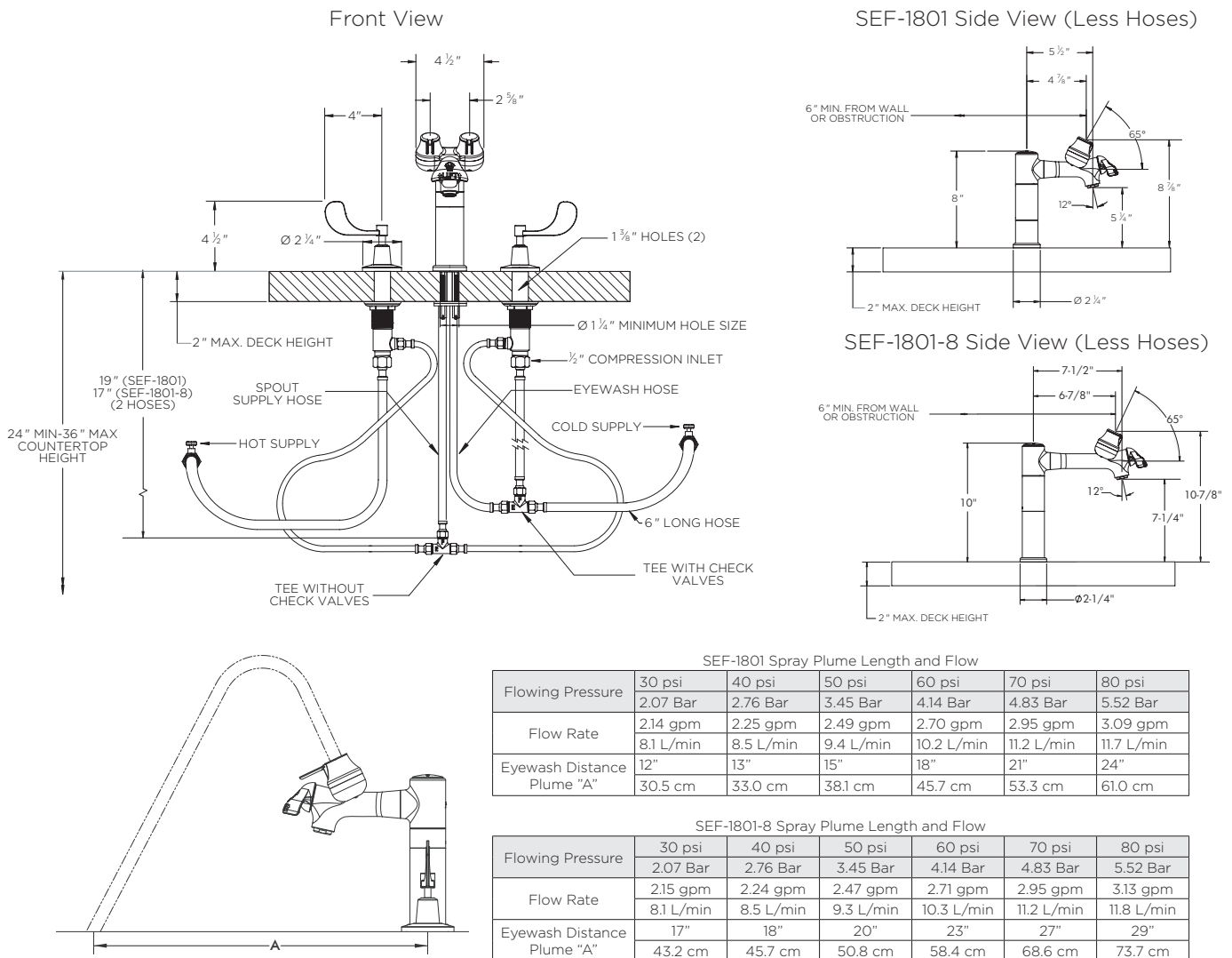
- **-TW OPTION:** Add the -TW suffix to the part number, this product ships complete with the TMV and connections
- **STW-370:** Thermostatic Mixing Valve (valve only)
- **SEF-TW:** Thermostatic Mixing Valve with necessary connections for SEF products

All dimensions are in inches (millimeters) unless otherwise specified and are subject to change without notice.

Architect/Engineer Approval Space:

P: 800-537-2107
F: 800-977-2747
W: WWW.SPEAKMAN.COM
R: 02-NOVEMBER 2019

Eyesaver® Laboratory Widespread Faucet with Integrated Eyewash



The combination eyewash-laboratory faucet shall have dual internal waterways that allow the faucet and eyewash components to be operated individually or simultaneously. The eyewash shall be capable of delivering tepid or cold water while the faucet is operated at a user determined temperature. The faucet shall have lead free brass construction and be operated via 1/4 turn ceramic disc cartridges. The spout shall be user configured as either swivel or rigid and the faucet flow rate shall be a maximum of 1.5 gpm. Product shall accommodate an 8"-16" spread.

The eyewash shall feature aerated sprays with automatic flow controls, flip top covers and have a minimum flow rate of 2.1 GPM @ 30 PSI. Eyewash shall be activated via a lift lever. Product shall be compliant with ANSI/ISEA Z358.1, ASME A112.18.1-2011/CSA B125.1-11 and CA AB1953.

All dimensions are in inches (millimeters) unless otherwise specified and are subject to change without notice.

Architect/Engineer Approval Space:

P: 800-537-2107
 F: 800-977-2747
 W: WWW.SPEAKMAN.COM
 R: 02-NOVEMBER 2019