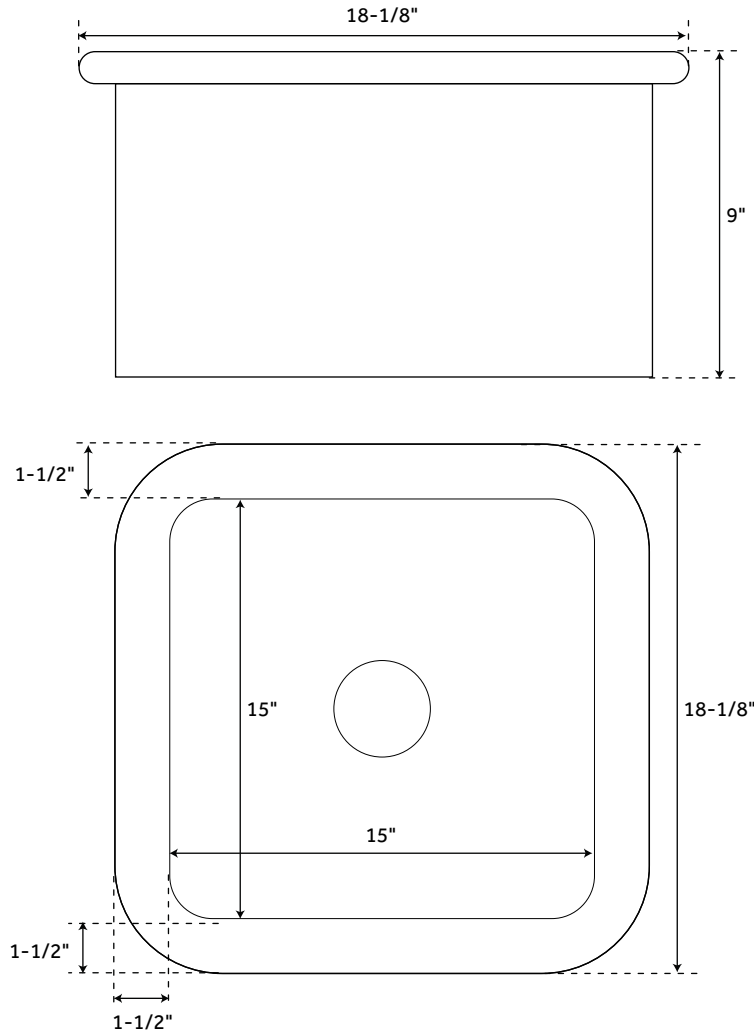


# 18" DERIN

## SQUARE UNDERMOUNT FIRECLAY PREP SINK

SKU: 941337



### FEATURES

Number of Basins: 1  
Length: 18-1/8"  
Width: 18-1/8"  
Height: 9"  
Basin Length: 15"  
Basin Width: 15"  
Water Depth to Rim: 7-1/2"  
Drain Placement: Center  
Drain Included: Optional  
Drain Size: 3-1/2"

### CODES/STANDARDS

cUPC  
ASME A112.19.2/CSA B45.1  
Massachusetts Accepted

### SIGNATURE HARDWARE LIFETIME WARRANTY

See website for warranty information



All dimensions and specifications are nominal and may vary. Use actual products for accuracy in critical situations.

REVISED 01/13/2020  
Code: SHF1B18SDMWH