

DAYTON

SPECIFICATIONS

Dayton® Elite Hospitality Sink and Sink Package

Models DE11515 and DEP211515C

GENERAL

Sink bowl seamlessly formed of #23 gauge, 300 Series nickel bearing stainless steel. Self-rimming.

DESIGN FEATURES

Bowl Depth: 5-1/8" (130mm).

Coved Corners: 2-1/4" (57mm) vertical and horizontal radius.

Bowl and Faucet Deck Recess: 3/16" (5mm) total recess below outside edge of sink.

Finish: Exposed surfaces are polished to an Elite Satin finish.

Underside: Fully undercoated to deaden sound.

Self-rimming: Sink is furnished with appropriate number of clips and screws to provide a secure installation.

SINK PACKAGE

DEP211515C Package includes:

- (1) DE11515 sink.
- (1) LKA2475 gooseneck faucet. Overall height, 7-9/16" (192mm).
- (1) D5018A drain with basket strainer.

OTHER

Drain Opening: 2" (51mm).

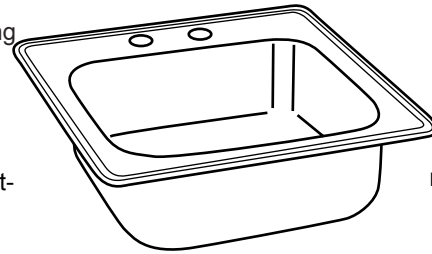
Sink complies with ASME A112.19.3/ CSA B45.4



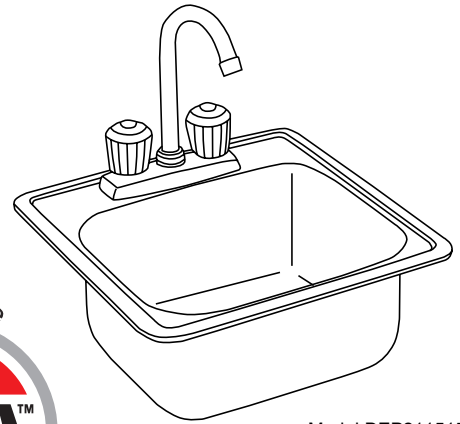
Sinks are listed by IAPMO® as meeting the applicable requirements of the Uniform Plumbing Code®, International Plumbing Code®, and National Plumbing Code of Canada.



These sinks are compliant to ADA and ANSI/ICC A117.1 accessibility requirements when installed according to the requirements outlined in these standards.



Model DE115152



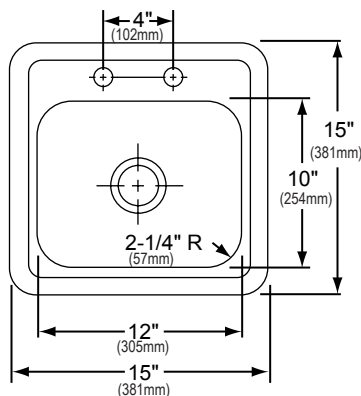
Model DEP211515C



SINK DIMENSIONS (INCHES)*

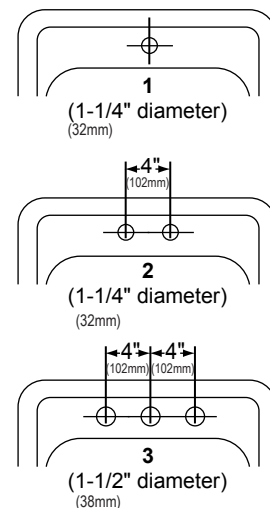
Model Number	Overall		Inside Bowl			Cutout in Countertop (1 1/2" Radius Corners)		No. of 1 1/4" or 1 1/2" Dia. Faucet Holes 4" Centers	Minimum Cabinet Size
	L	W	L	W	D	L	W		
DEP211515C	15 (127mm)	15 (127mm)	12 (305mm)	10 (254mm)	5 1/8 (130mm)	14 3/8 (365mm)	14 3/8 (365mm)	2	18 (457mm)
DE11515	15 (127mm)	15 (127mm)	12 (305mm)	10 (254mm)	5 1/8 (130mm)	14 3/8 (365mm)	14 3/8 (365mm)	1, 2 or 3	18 (457mm)

*Length is left to right. Width is front to back.



Bowl Depth is 5-1/8"
Model DE115152 Illustrated

HOLE DRILLING CONFIGURATIONS



In keeping with our policy of continuing product improvement, Elkay reserves the right to change product specifications without notice. Please visit elkayusa.com for most current version of Elkay product specification sheets.

This specification describes an Elkay product with design, quality and functional benefits to the user. When making a comparison of other producers' offerings, be certain these features are not overlooked.