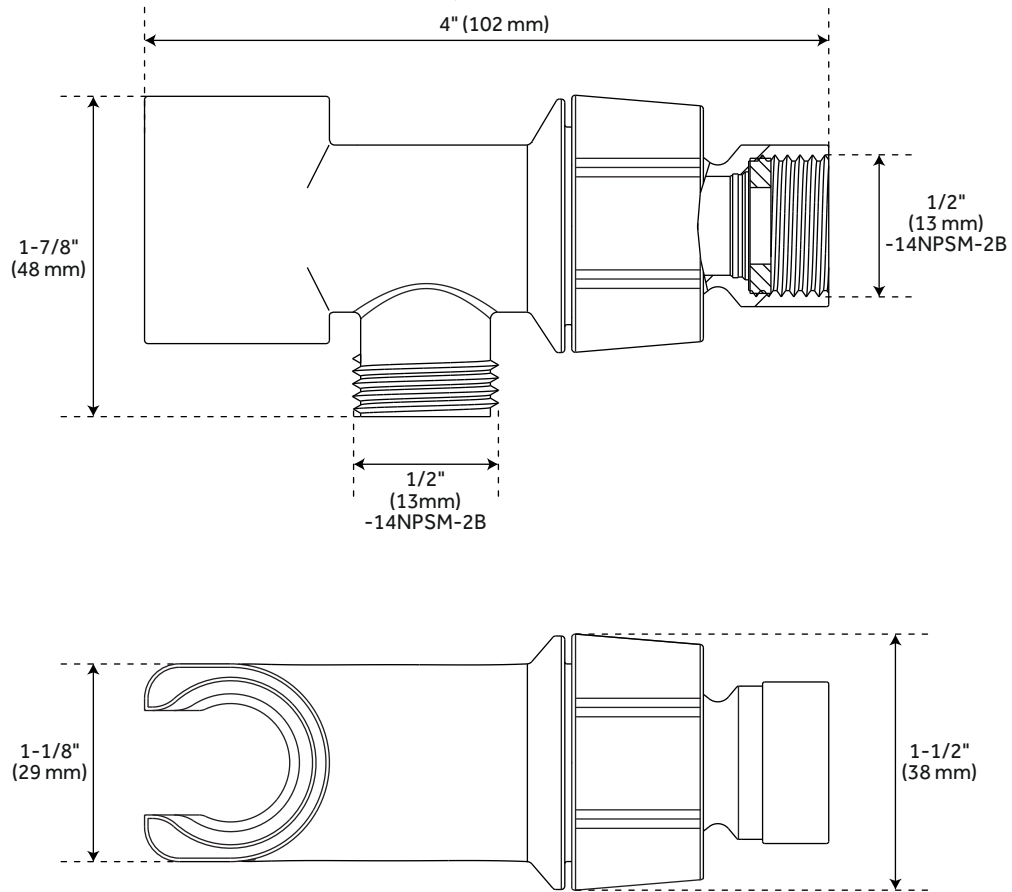


HAND SHOWER

MOUNTING BRACKET FOR SHOWER ARM

SKU: 948932



FEATURES

Material: ABS
Length: 1-1/2"
Depth: 4"
Height: 1-7/8"
NPSM Connection: 1/2"
Adjustable Angle
Installs On Standard Shower Arm For
Hand Shower Mounting

CODES/STANDARDS

cUPC
ASME A112.18.1/CSA B125.1
Massachusetts Accepted

SIGNATURE HARDWARE LIFETIME WARRANTY

See website for warranty information



All dimensions and specifications are nominal and may vary. Use actual products for accuracy in critical situations.

REVISED 01/13/2020
Code: SHSM2030BN/SHSM2030CP/SHSM2030ORB