

VINTAGE

MULTIFUNCTION HAND SHOWER AND HOSE

SKU: 949082



FEATURES

Assembly Required: No
5 Function Hand Shower (Full Spray, Massage Spray, Aerated Spray, Full & Massage Spray, and Full & Aerated Spray)
Easy-Clean Spray Nozzles
Hand Shower Includes Backflow Prevention
60" - 72" Stretchable Metal Shower Hose
Double Spiral Constructed Hose
Metal Conical Nut
Maximum Flow Rate: 1.8 gpm (6.8L/min) max @ 80 psi

SIGNATURE HARDWARE Lifetime Warranty

See website for detailed warranty information.

CONTENTS

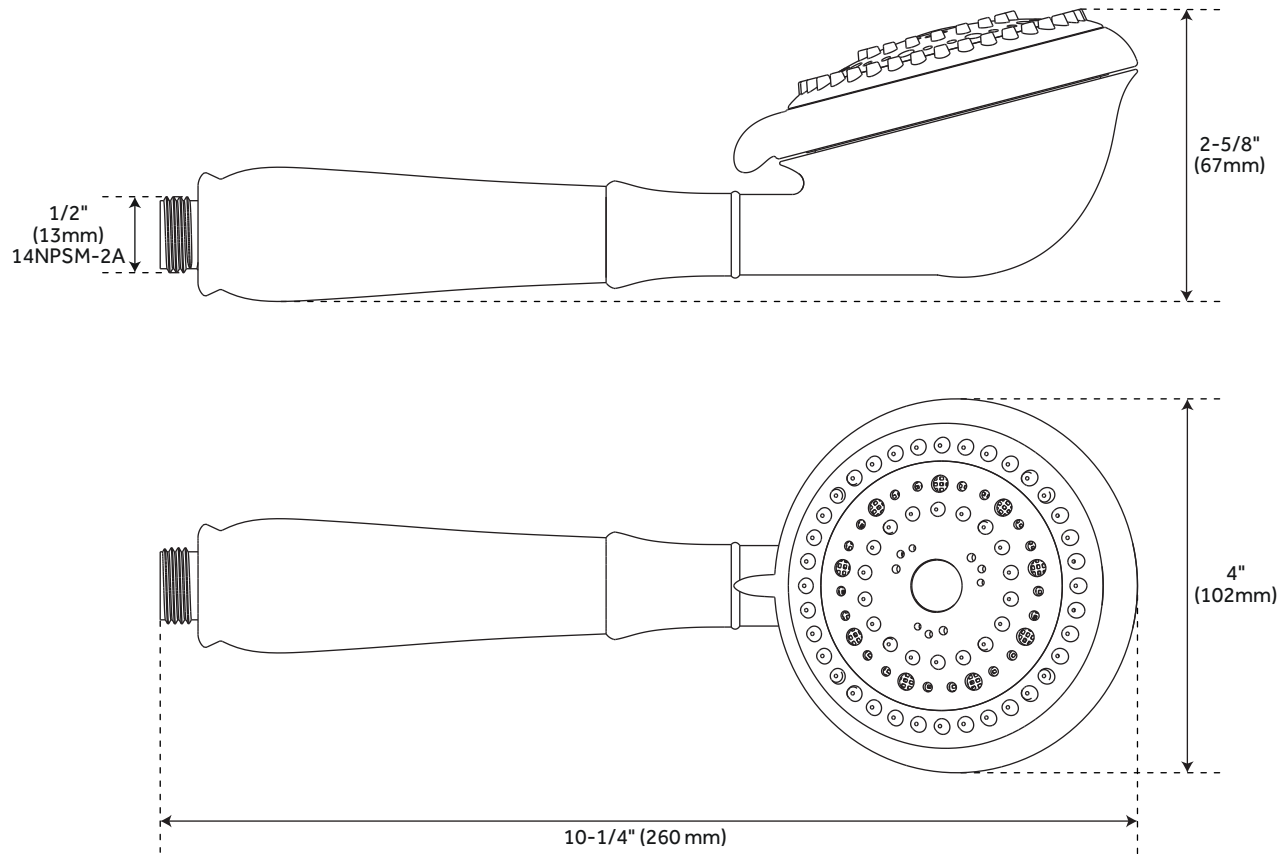
HAND SHOWER	PAGE 2
HOSE	PAGE 3

REVISED 12/19/2019

VINTAGE

MULTIFUNCTION HAND SHOWER

SKU: 949082



FEATURES

Material: ABS
Shape: Round
Length: 4"
Width: 2-5/8"
Height: 10-1/4"

CODES/STANDARDS

cUPC
ASME A112.18.1/CSA B125.1
ASME A112.18.3
WaterSense
Massachusetts Accepted

SIGNATURE HARDWARE LIFETIME WARRANTY

See website for warranty information



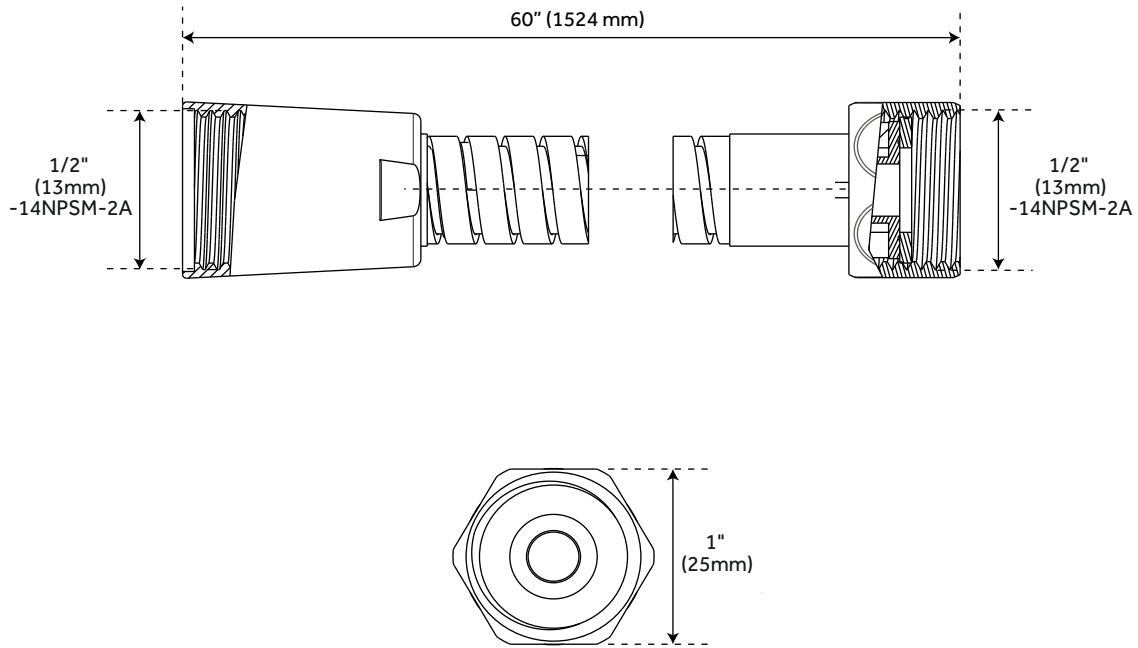
All dimensions and specifications are nominal and may vary. Use actual products for accuracy in critical situations.

PAGE 2
Code: SHHS4050GBN/SHHS4050GCP
SHHS4050ORB/SHHS4050PN

VINTAGE

METAL HAND SHOWER HOSE

SKU: 949082



FEATURES

Length: 60"
Width: 1/2"
NPT Connection: 1/2"

CODES/STANDARDS

cUPC
ASME A112.18.1/CSA B125.1
Massachusetts Accepted

SIGNATURE HARDWARE LIFETIME WARRANTY

See website for warranty information



All dimensions and specifications are nominal and may vary. Use actual products for accuracy in critical situations.

PAGE 3
Code: SHH1010BN/SHH1010CP
SHH1010ORB/SHH1010PN