

60" X 32" SITKA

ACRYLIC ALCOVE SOAKING TUB

SKU: 948276



FEATURES

- Integral arm rests.
- Textured slip-resistant bottom.
- Pre-leveled base.
- ABS drain version available if needed for your installation.
- Optional Quick Connect Drop-In Drain Kit Includes:
Floor Plate, 1-1/2" PVC Pipe, 2" x 1-1/2" Trap Adapters, 1
Brass Threaded, 1 Brass Unthreaded Tailpiece and Plug.
- Installs above your subfloor, but underneath your cement
floor or tile, so you do not need access below the fixture.

SIGNATURE HARDWARE Lifetime Warranty

See website for detailed warranty information.

CONTENTS

AIR & WHIRLPOOL TUB	PAGE 2
60" X 32 TUB	PAGE 3

REVISED 01/16/2020

CODE: SHSKA6032LWH/SHSKA6032RWH/SHSKS6032LWH/SHSKS6032RWH
SHSKW6032LWH/SHSKW6032RWH/SHSKS6032LBS/SHSKS6032RBS

AIR TUB AND WHIRLPOOL TUB

COMPONENTS LIST

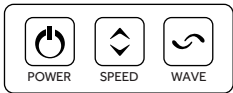
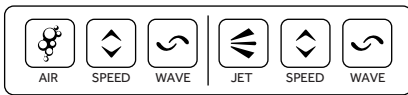
- Powerful whirlpool pump with variable flow device
- Heated blower for air bath system

INSTALLATION

- Whirlpool and Total Massage units require dedicated 20 Amp, 120V service
- You must provide a receptacle with a 20 Amp configuration
- Electrical outlet must be mounted 4" (101mm) above the floor line and 12" max (305mm) inside from the edge of the bathtub, or in accordance with local building and electrical codes

INTEGRATED CONTROL PANEL

- Intuitive electronic control buttons

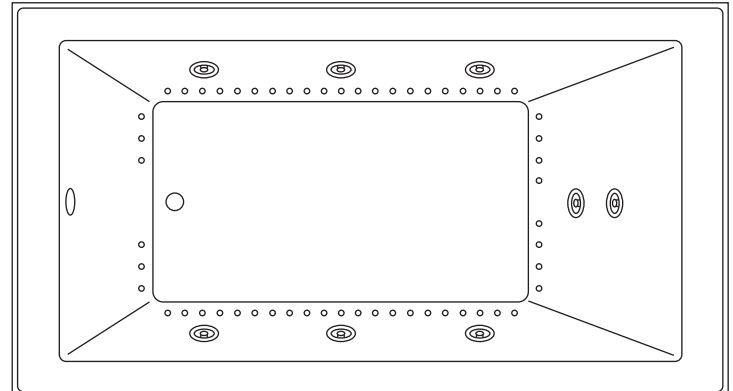


INSIDE OF BATH

- (8) HIGH-FLOW DIRECTIONAL AND VOLUME-ADJUSTABLE WHIRLPOOL JETS
- (56) CHANNEL-FED AIRJETS (air bath and total massage)

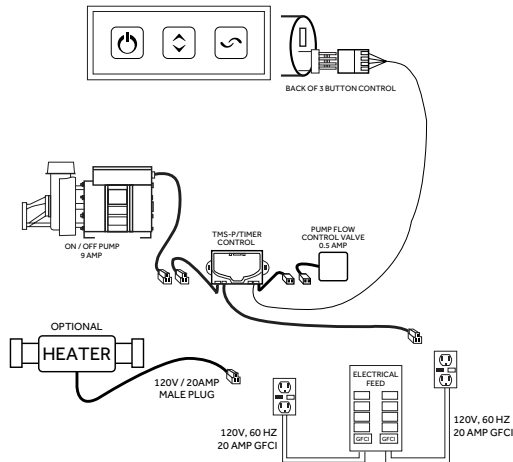


WHIRLPOOL JET

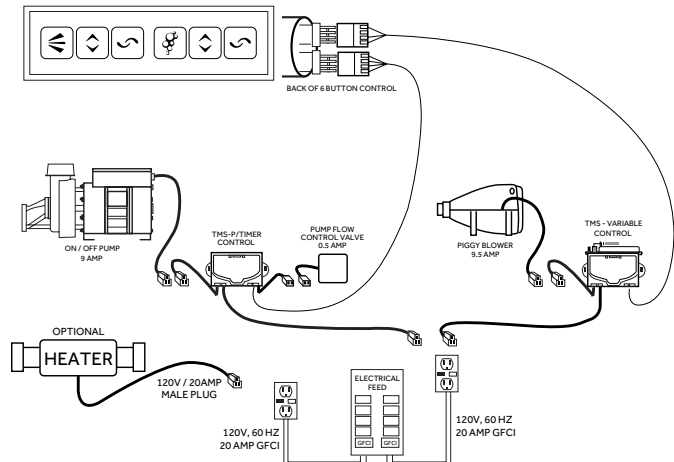


ELECTRICAL CONFIGURATIONS

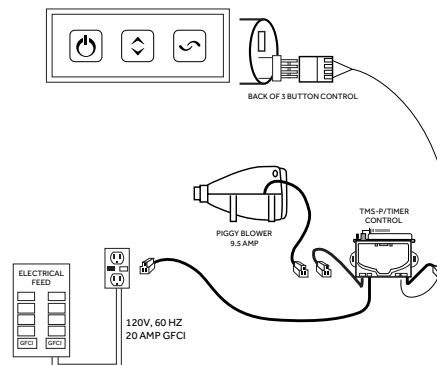
WHIRLPOOL CIRCUIT WITH OPTIONAL HEATER



TOTAL MESSAGE CIRCUIT WITH OPTIONAL HEATER



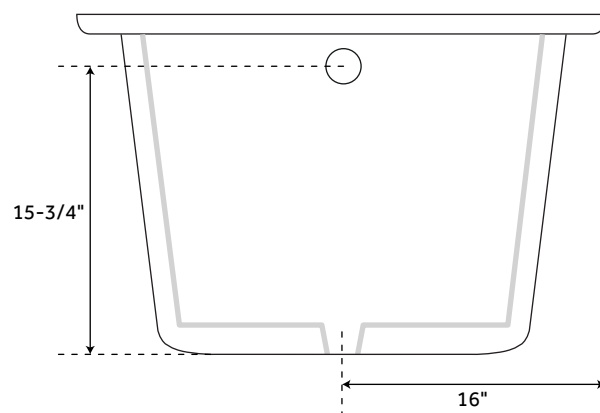
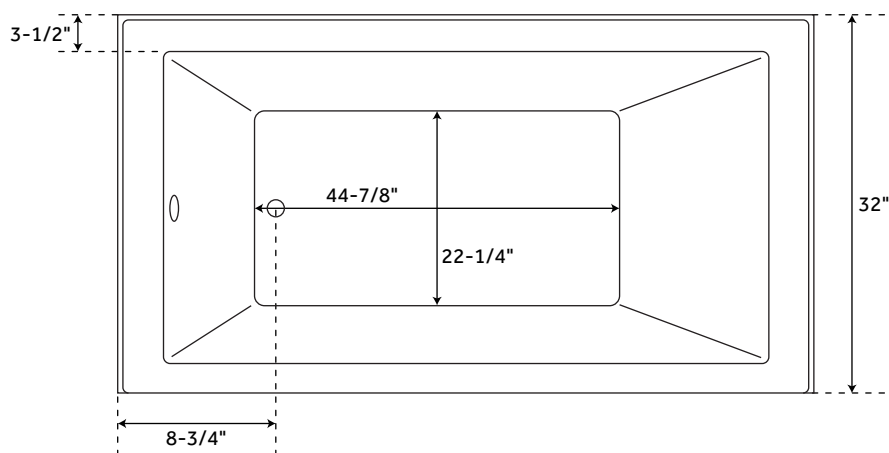
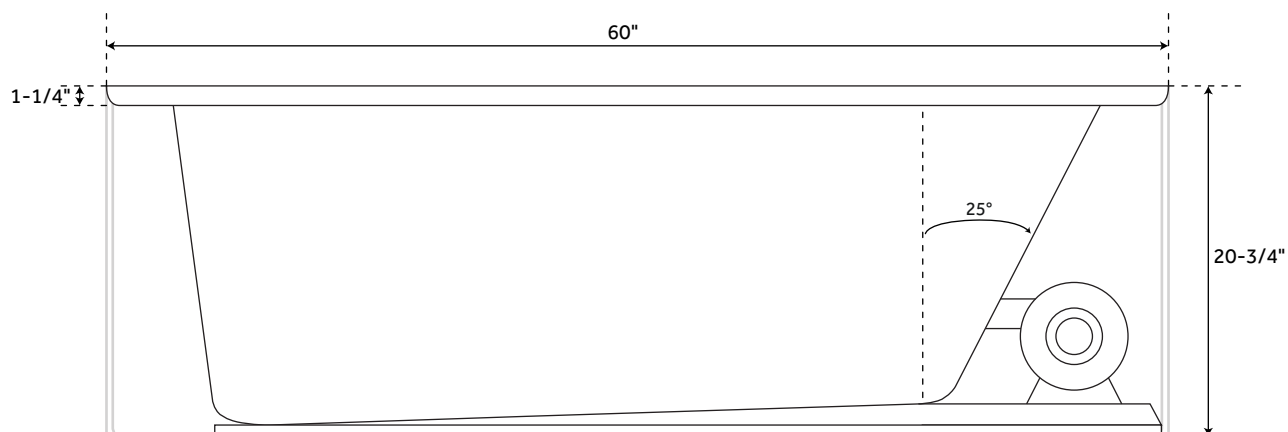
AIR MESSAGE CIRCUIT



60" X 32" SITKA

ACRYLIC ALCOVE SOAKING TUB

SKU: 948276



FEATURES

- Product Finish: Biscuit
- Overflow Hole: Yes
- Shape: Rectangle
- Material: Acrylic
- Length: 60"
- Width: 32"
- Height: 20-3/4"
- Tub Interior Length: 44-7/8"
- Tub Interior Width: 22-1/4"
- Water Depth To Overflow: 15-3/4"
- Drain Included: Optional
- Faucet Included: No
- Tub Weight Uncrated (lbs): 84
- Tub Weight Crated (lbs): 194
- All dimensions ($\pm 1/2"$).

SIGNATURE HARDWARE LIFETIME WARRANTY

See website for warranty information



All dimensions and specifications are nominal and may vary. Use actual products for accuracy in critical situations.

PAGE 3