

BOCA RATON

PRESSURE BALANCE SHOWER SET

SKU: 948653



FEATURES

Material: Brass
Shape: Round
Handle Type: Cross
Features: Pressure-Balanced
Assembly Required: No
Installation Type: Wall
Shower Head Material: ABS
Shower Head Spray: Multi-Function
Shower Arm Included: Yes
Shower Head Swivel: Yes
5 Function Shower Head (Aerated, Aerated & Spray, Spray, Massage & Spray, and Massage)
Extension Kit Available: ACF4001EXT
Optional Rough-In Valve
Shower Head Flow Rate: 1.8 gpm
(6.8L/min) max @ 80 psi

SIGNATURE HARDWARE Lifetime Warranty

See website for detailed warranty information.

CONTENTS

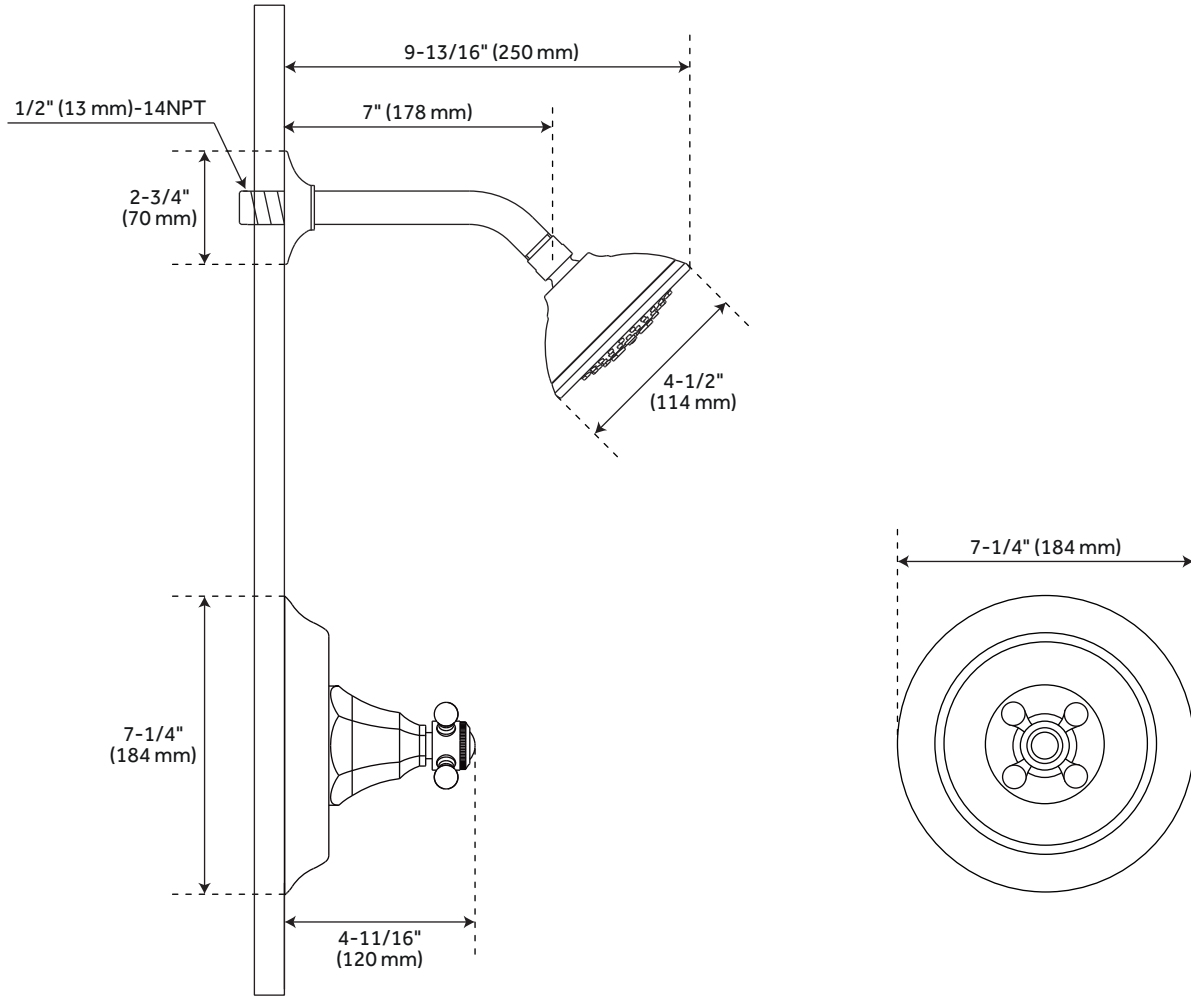
| | |
|------------------|--------|
| SHOWER SET | PAGE 2 |
| VALVE | PAGE 3 |

REVISED 01/14/2020

BOCA RATON

PRESSURE BALANCE SHOWER SET

SKU: 948653



FEATURES

Shower Head Diameter: 4-1/2"
Shower Arm Extension: 7"
Shower Head IPS: 1/2"
Valve Trim Width: 7-1/4"
Valve Trim Height: 7-1/4"
NPT Connection: 1/2"

CODES/STANDARDS

cUPC
ASME A112.18.1/CSA B125.1
WaterSense
CEC Listed
Cal Green
Massachusetts Accepted

SIGNATURE HARDWARE LIFETIME WARRANTY

See website for warranty information



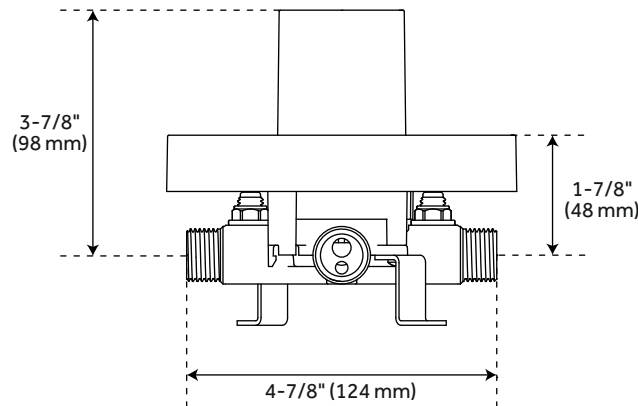
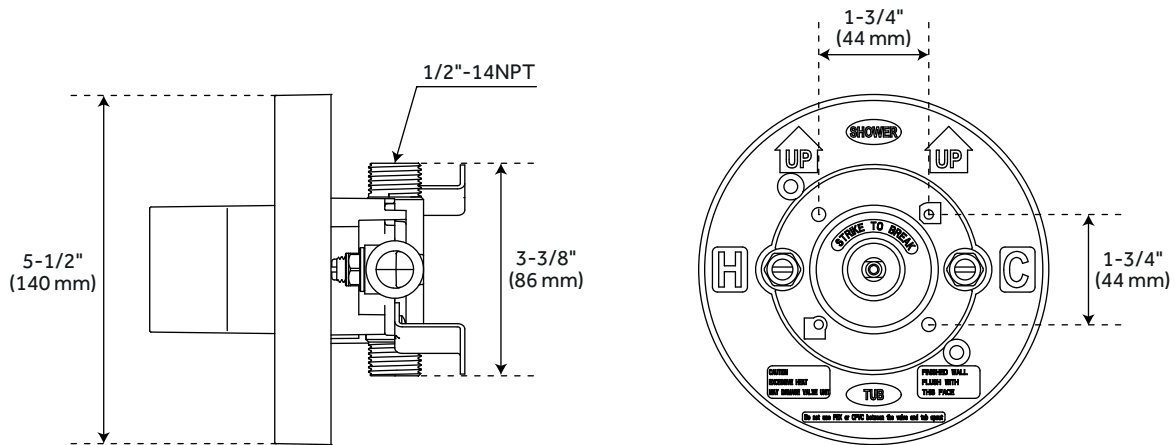
All dimensions and specifications are nominal and may vary. Use actual products for accuracy in critical situations.

PAGE 2
Code: SHBR8020GBN
SHBR8020GCP/SHBR8020GPN

BOCA RATON

OPTIONAL PRESSURE BALANCE TUB AND SHOWER ROUGH IN VALVE

SKU: 948653



FEATURES

- Pressure Balance Valve With Integral Stops
- One-Piece Cartridge Design For Ease Of Maintenance
- Back-To-Back Capability
- Ceramic Disc Valve Cartridge
- Cast Bronze Valve Body
- Adjustable Temperature Limit Stop
- Quick Remove Plaster Guard
- Easy Mounting Brackets
- Check Valve
- ACF4001STOP: Replacement

CODES/STANDARDS

- cUPC
- ASME A112.18.1/CSA B125.1
- Massachusetts Accepted

SIGNATURE HARDWARE LIFETIME WARRANTY

See website for warranty information



All dimensions and specifications are nominal and may vary. Use actual products for accuracy in critical situations.

PAGE 3
Code: SH4001