

# 60" x 30" BRADENTON

## ACRYLIC ALCOVE SOAKING TUB

SKU: 948056



### FEATURES

Textured slip-resistant bottom.

Integral tile flange and skirt.

Pre-leveled base.

ABS drain version available if needed for your installation.

Optional Quick Connect Drop-In Drain Kit Includes:

Floor Plate, 1-1/2" PVC Pipe, 2" x 1-1/2" Trap Adapters, 1

Brass Threaded, 1 Brass Unthreaded Tailpiece and Plug.

Installs above your subfloor, but underneath your cement floor or tile, so you do not need access below the fixture.

### SIGNATURE HARDWARE Lifetime Warranty

See website for detailed warranty information.

### CONTENTS

AIR & WHIRLPOOL TUB .....	PAGE 2
60" X 30" TUB .....	PAGE 3

REVISED 01/15/2020

CODE: SHBDS6030LWH/SHBDS6030RWH/SHBDS6030LBS/SHBDS6030RBS

# AIR TUB AND WHIRLPOOL TUB

## COMPONENTS LIST

- Powerful whirlpool pump with variable flow device
- Heated blower for air bath system

## INSTALLATION

- Whirlpool and Total Massage units require dedicated 20 Amp, 120V service
- You must provide a receptacle with a 20 Amp configuration
- Electrical outlet must be mounted 4" (101mm) above the floor line and 12" max (305mm) inside from the edge of the bathtub, or in accordance with local building and electrical codes

## INTEGRATED CONTROL PANEL

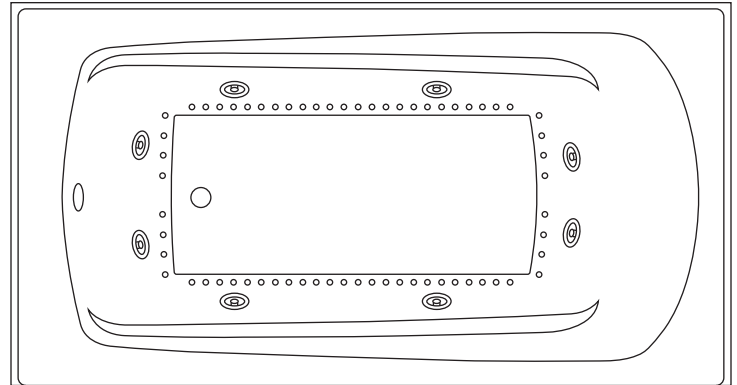
- Whirlpool Baths: Equipped with on/off switch actuator. Each depression of the switch will activate the pump
- Air Baths: Equipped with a 3-speed air switch actuator. Each depression of the switch will change the flow of air
- Total Massage Baths: Equipped with both an on/off air switch actuator for whirlpool function and 3-speed air switch actuator for air function

## INSIDE OF BATH

- (8) HIGH-FLOW DIRECTIONAL AND VOLUME-ADJUSTABLE WHIRLPOOL JETS
- (65) CHANNEL-FED AIRJETS (air bath and total massage)

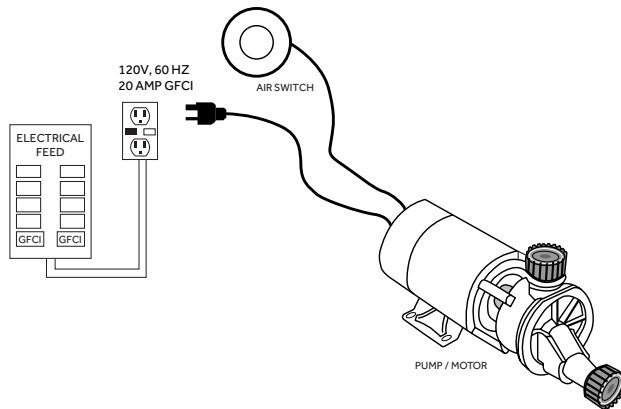


WHIRLPOOL JET

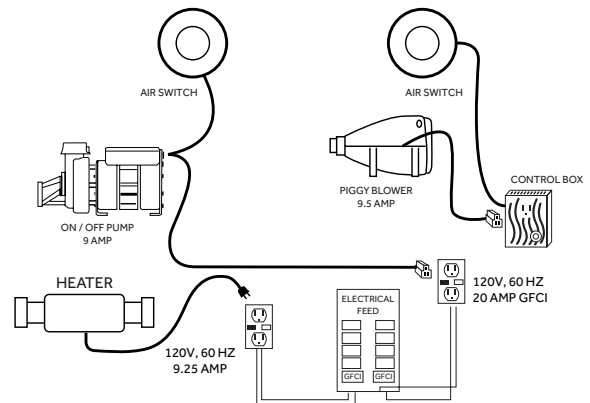


## ELECTRICAL CONFIGURATIONS

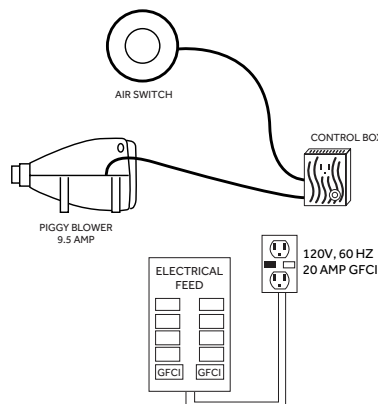
WHIRLPOOL WITH INSTALLED AIR SWITCH



TOTAL MASSAGE CIRCUIT WITH OPTIONAL HEATER



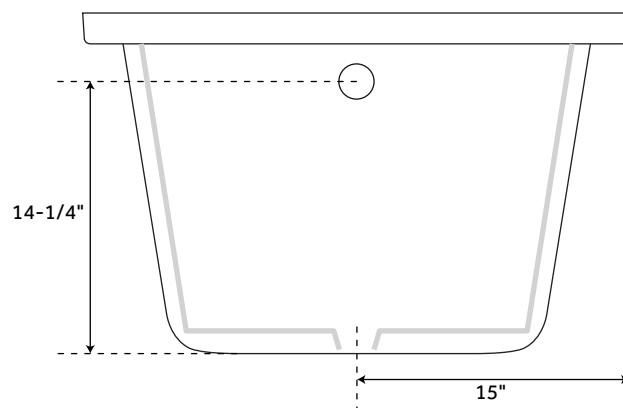
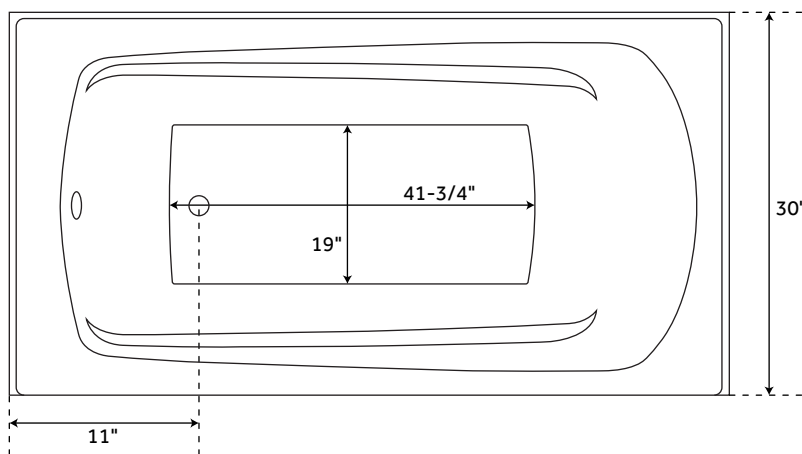
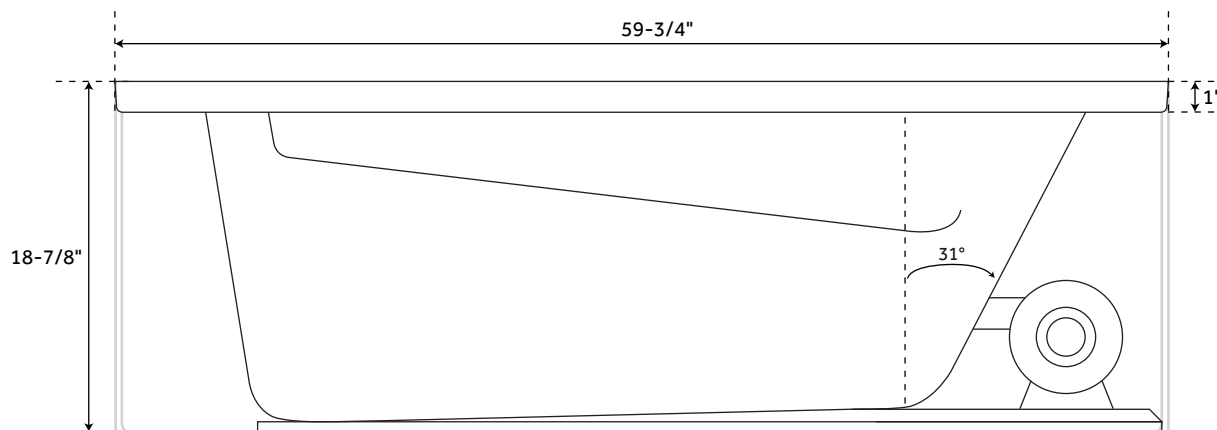
AIR BATH CIRCUIT



# 60" x 30" BRADENTON

## ACRYLIC ALCOVE SOAKING TUB

SKU: 948056



### FEATURES

Product Finish: White  
Overflow Hole: Yes  
Shape: Rectangle  
Material: Acrylic  
Length: 59-3/4"  
Width: 30"  
Height: 18-7/8"  
Tub Interior Length: 41-3/4"  
Tub Interior Width: 19"  
Water Depth To Overflow: 14-1/4"  
Drain Included: Optional  
Drain Placement: End  
Faucet Included: No  
Water Capacity (Gallons): 48  
Tub Weight Uncrated (lbs): 87  
Tub Weight Crated (lbs): 197  
All dimensions ( $\pm 1/2"$ ).

### SIGNATURE HARDWARE LIFETIME WARRANTY

See website for warranty information



All dimensions and specifications are nominal and may vary. Use actual products for accuracy in critical situations.

PAGE 3