

## PRESSURE BALANCE TUB AND SHOWER SET

SKU: 948674



### CONTENTS

|                  |        |
|------------------|--------|
| SHOWER SET ..... | PAGE 2 |
| VALVE .....      | PAGE 3 |

### FEATURES

- Material: Brass
- Shape: Square
- Handle Type: Lever
- Assembly Required: No
- Installation Type: Wall
- Shower Head Material: ABS
- Shower Head Spray: Rainfall
- Shower Arm Included: Yes
- Shower Head Swivel: Yes
- Diverter Included: Yes
- Metal Handle
- Tub Spout Diverter
- Slip-fit Tub Spout
- Extension Kit Available: ACF4001EXT
- Optional Rough-In Valve
- Shower Head Flow Rate: 1.8 gpm  
(6.8L/min) max @ 80 psi

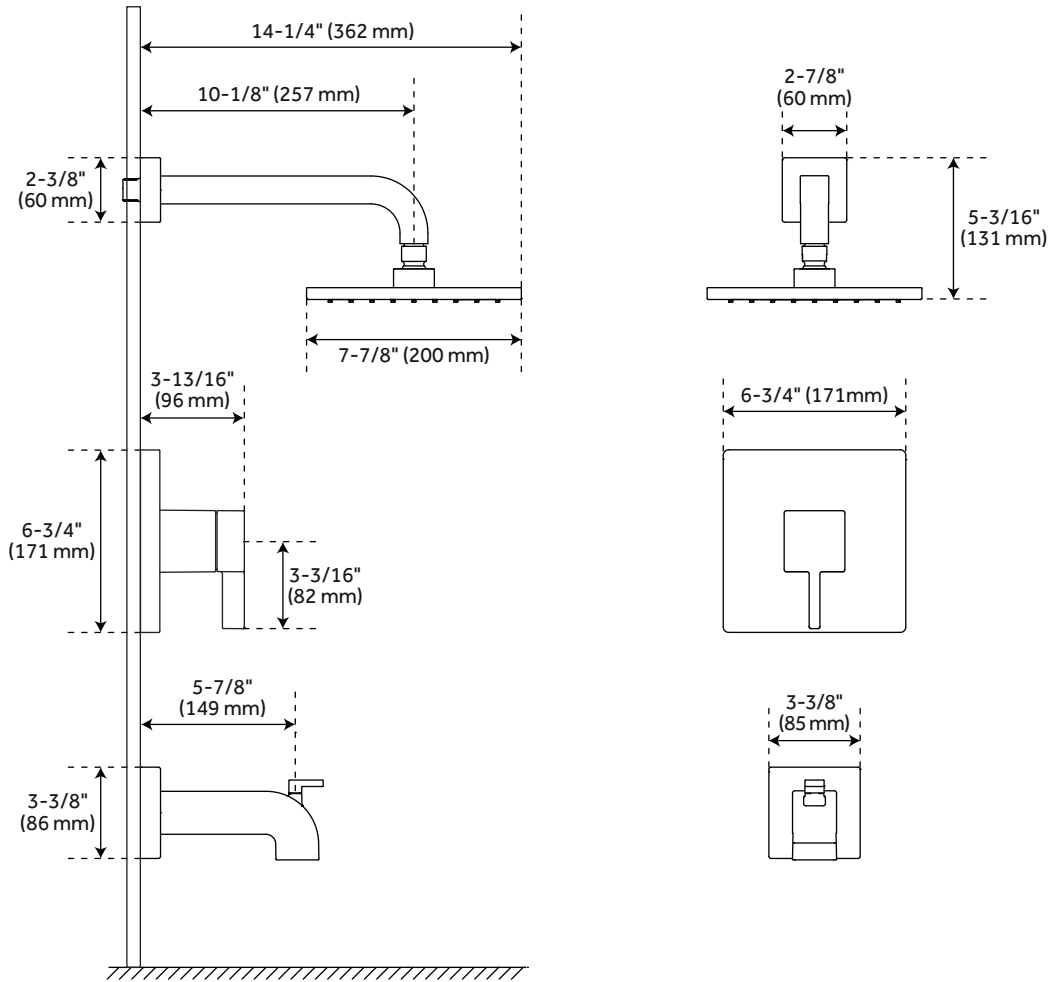
### SIGNATURE HARDWARE Lifetime Warranty

See website for detailed warranty information.

REVISED 01/14/2020

## PRESSURE BALANCE TUB AND SHOWER SET

SKU: 948674



### FEATURES

- Shower Head Length: 7-7/8"
- Shower Head Width: 7-7/8"
- Shower Arm Extension: 10-1/8"
- Shower Head IPS: 1/2"
- Tub Filler Spout Reach: 5-7/8"
- Valve Trim Width: 6-3/4"
- Valve Trim Height: 6-3/4"
- NPT Connection: 1/2"

### CODES/STANDARDS

- cUPC
- ASME A112.18.1/CSA B125.1
- ICC/ANSI A117.1 (when installed according to ADA standards)
- WaterSense
- CEC Listed
- Massachusetts Accepted

### SIGNATURE HARDWARE LIFETIME WARRANTY

See website for warranty information

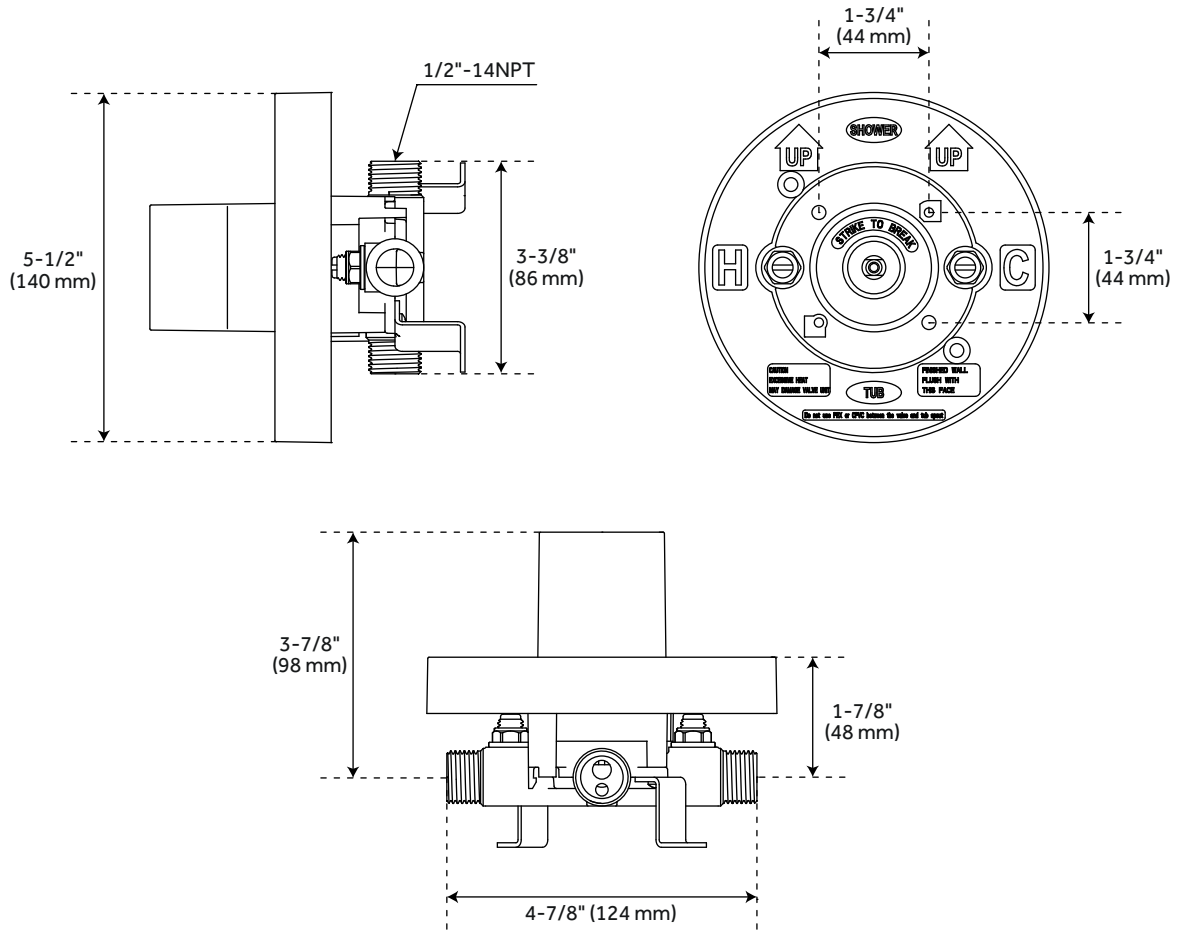


All dimensions and specifications are nominal and may vary. Use actual products for accuracy in critical situations.

PAGE 2  
Code: SHRI8030GBN/SHRI8030GCP

## OPTIONAL PRESSURE BALANCE TUB AND SHOWER ROUGH IN VALVE

SKU: 948674



### FEATURES

- Pressure Balance Valve With Integral Stops
- One-Piece Cartridge Design For Ease Of Maintenance
- Back-To-Back Capability
- Ceramic Disc Valve Cartridge
- Cast Bronze Valve Body
- Adjustable Temperature Limit Stop
- Quick Remove Plaster Guard
- Easy Mounting Brackets
- Check Valve
- ACF4001STOP: Replacement

### CODES/STANDARDS

- cUPC
- ASME A112.18.1/CSA B125.1
- Massachusetts Accepted

### SIGNATURE HARDWARE LIFETIME WARRANTY

See website for warranty information



All dimensions and specifications are nominal and may vary. Use actual products for accuracy in critical situations.