

PENDLETON

FREESTANDING TUB FILLER

SKU: 948659



FEATURES

- Spout max. flow rate: 8 gpm (30 L/min) @ 60 psi.
- Hand shower max. flow rate: 1.8 gpm (6.8 L/min) @ 80 psi.
- Three function hand shower (full spray, massage, spray+massage).
- Integral diverter to hand shower.
- Handshower includes factory installed backflow prevention check valve.
- Optional rough-in valve includes stops.
- Underfloor access is required for proper installation.
- Installation on an existing concrete slab will require cutting and concrete removal.

SIGNATURE HARDWARE Lifetime Warranty

See website for detailed warranty information.

CONTENTS

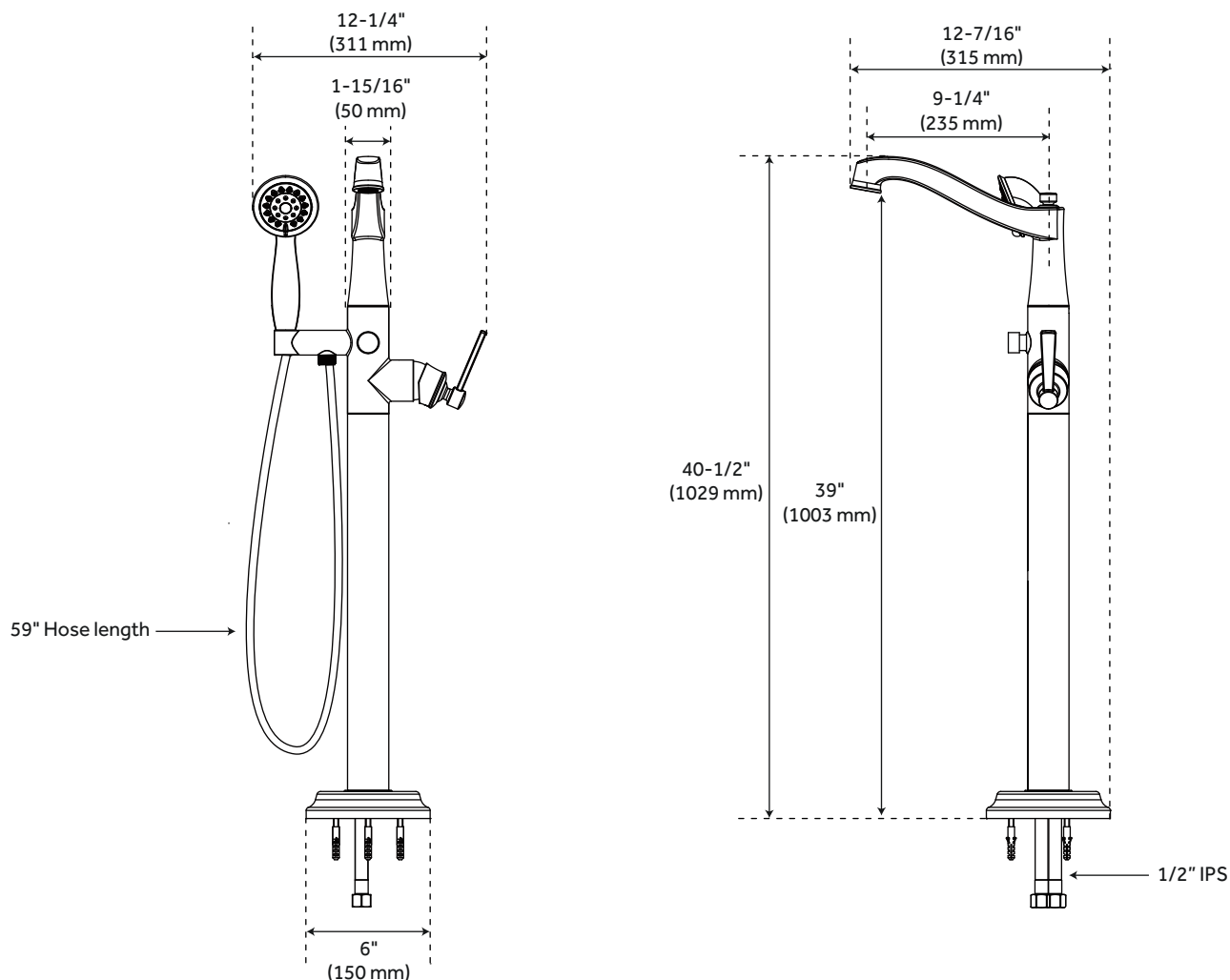
TUB FILLER	PAGE 2
VALVE	PAGE 3

REVISED 01/15/2020

PENDLETON

FREESTANDING TUB FILLER

SKU: 948659



FEATURES

Installation Type: Freestanding
 Handle Type: Lever
 Features: Hand Shower Included
 Tub Faucet Material: Brass
 Length: 9-1/4"
 Width: 12-1/4"
 Height: 40-1/2"
 Height To Spout: 39"
 Height to Control Valve: 31-3/4"
 Spout Reach: 9-1/4"
 Spout Width: 1-1/2"
 Hot and Cold Indicators: No
 Drain Included: No
 Base Plate Diameter: 6"
 Ceramic Disc Cartridges: Yes
 Hand Shower Hose Length: 58"
 Hand Shower Material: Zinc
 Hand shower flow rate: 1.8 gpm.

CODES/STANDARDS

cUPC
 ASME A112.18.1/CSA B125.1
 ASME A112.18.3
 ICC/ANSI A117.1 (when installed according to ADA Standards)
 WaterSense
 CEC Listed
 Massachusetts Accepted



SIGNATURE HARDWARE LIFETIME WARRANTY

See website for warranty information



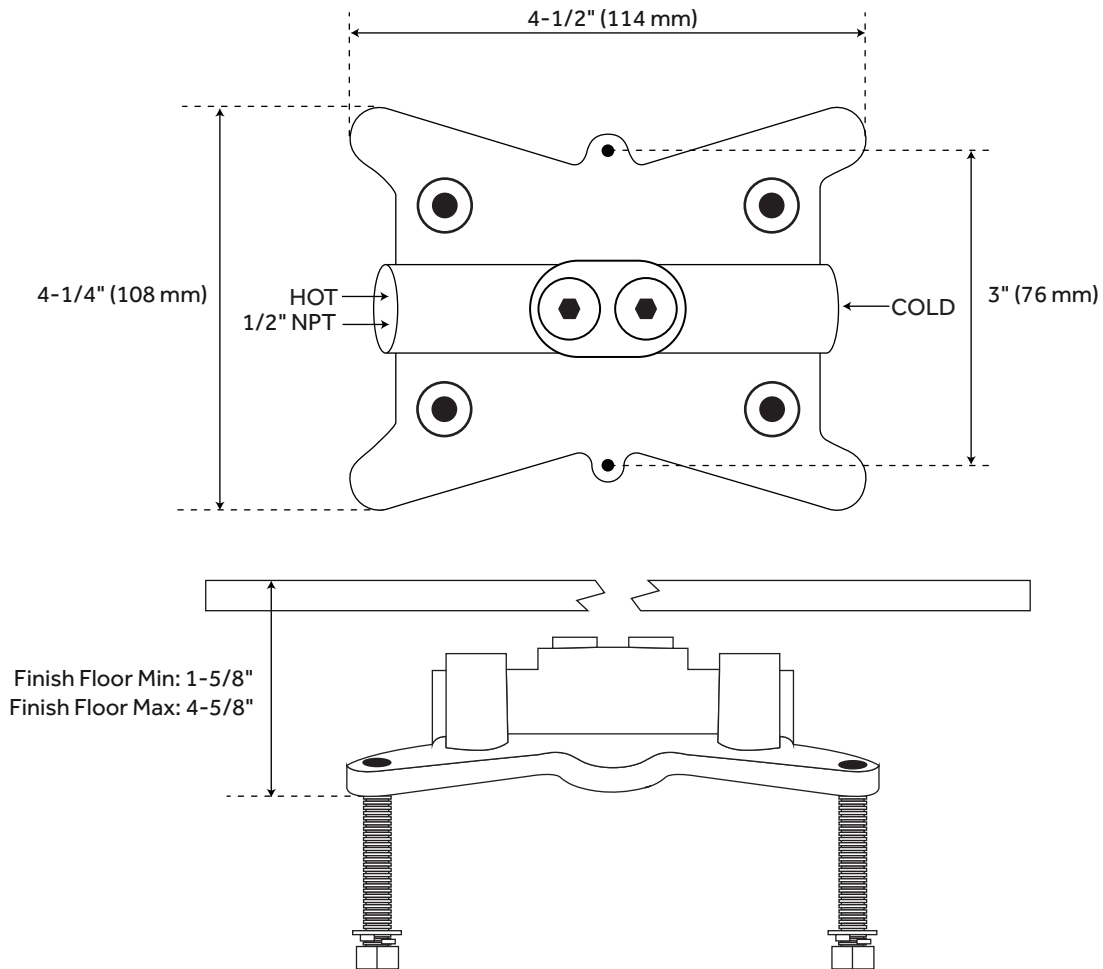
All dimensions and specifications are nominal and may vary. Use actual products for accuracy in critical situations.

PAGE 2
 Code: SHPTFS2000GBN/SHPTFS2000GCP
 SHPTFS2000GPN

FREESTANDING

OPTIONAL TUB FAUCET ROUGH-IN VALVE

SKU: 446521



FEATURES

Material: Brass
Length: 3-1/2"
Width: 3-5/8"
Height: 5-1/8"
Finish Floor Min: 1-5/8"
Finish Floor Max: 4-5/8"
NPT Connection: 1/2"

CODES/STANDARDS

cUPC
ASME A112.18.1/CSA B125.1
Massachusetts Accepted

SIGNATURE HARDWARE LIFETIME WARRANTY

See website for warranty information



All dimensions and specifications are nominal and may vary. Use actual products for accuracy in critical situations.

PAGE 3
CODE: SHFSR2000WS