

VILAMONTE

4-HOLE ROMAN TUB FILLER AND HAND SHOWER

SKU: 948686



FEATURES

- 4-hole installation.
- Hand shower max. flow rate: 1.8 gpm (6.8 L/min) @ 80 psi.
- Lift rod diverter to handshower.
- Handshower includes factory installed backflow prevention check valve.
- Optional rough-in valve:
- Brass coupling nut.
- Accommodates an 8" - 16" faucet spread.
- Deck thickness max. 1.5" or screws can be removed to accommodate thicker deck installations up to 2".

SIGNATURE HARDWARE Lifetime Warranty

See website for detailed warranty information.

CONTENTS

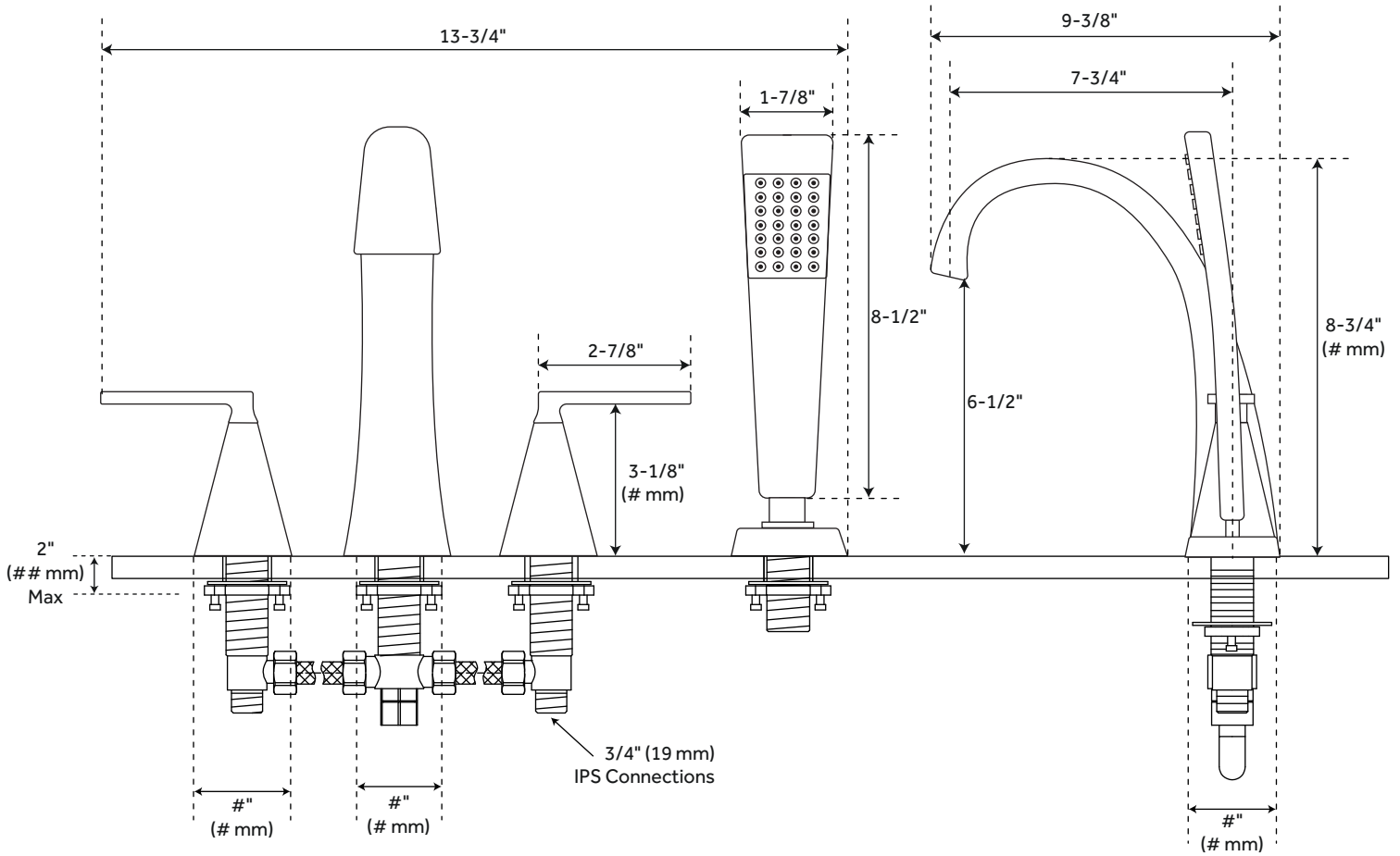
TUB FILLER	PAGE 2
VALVE	PAGE 3

REVISED 12/05/2019

VILAMONTE

4-HOLE ROMAN TUB FILLER AND HAND SHOWER

SKU: 948686



FEATURES

Installation Type: Deck Mount
 Handle Type: Lever
 Max. Deck Thickness: 2"
 Tub Faucet Material: Brass
 Length: 13-3/4"
 Width: 9-3/8"
 Height: 8-3/4"
 Height To Spout: 6-1/2"
 Spout Reach: 7-3/4"
 Spout Width: 1-1/2"
 Hot and Cold Indicators: No
 Drain Included: No
 Ceramic Disc Cartridges: Yes
 Hand Shower Hose Length: 61"

CODES/STANDARDS

cUPC
 ASME A112.18.1/CSA B125.1
 ASME A112.18.3
 ICC/ANSI A117.1 (when installed according to
 ADA Standards)
 WaterSense
 CALGreen
 Massachusetts Accepted

SIGNATURE HARDWARE LIFETIME WARRANTY

See website for warranty information



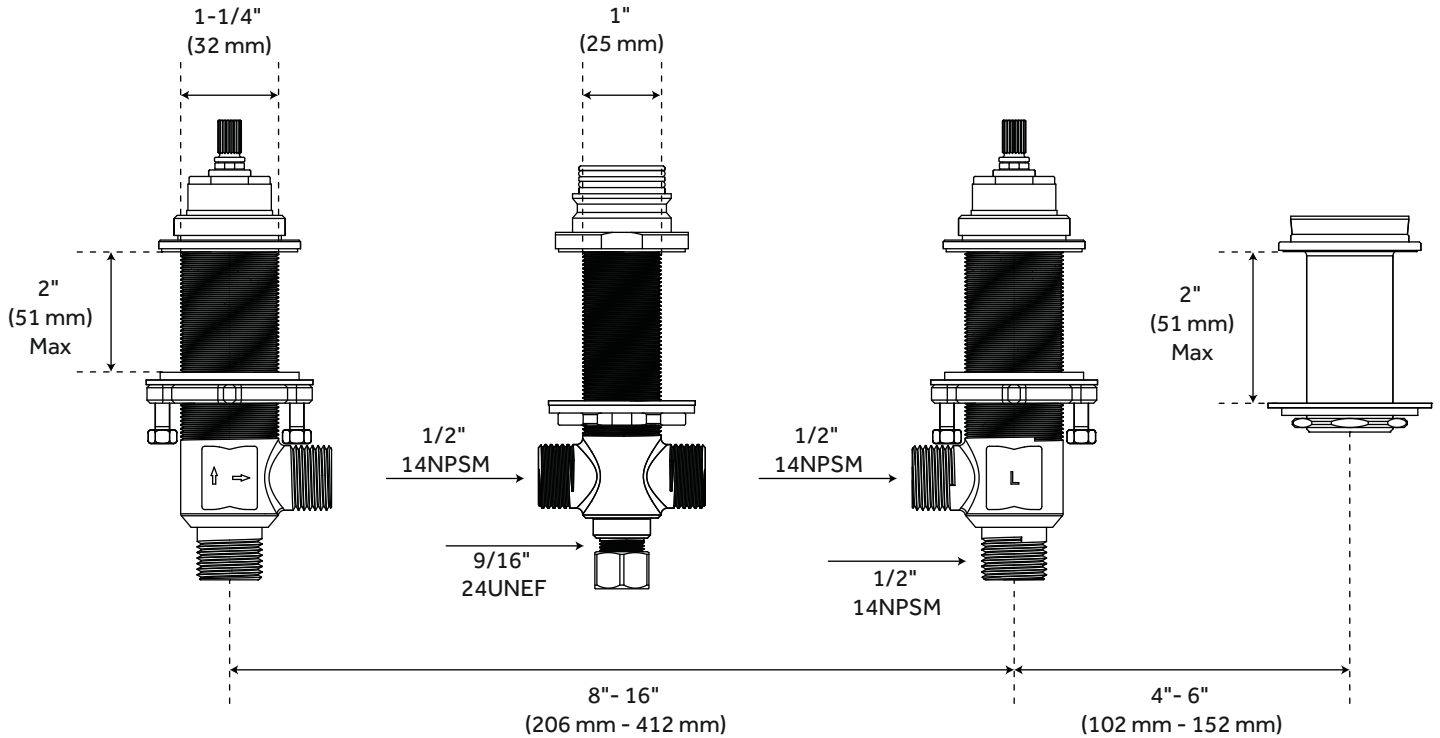
All dimensions and specifications are nominal and may vary. Use actual products for accuracy in critical situations.

PAGE 2
 Code:SHVL4RTGBN/SHVL4RTGCP/SHVL4RTGPN
 SHVL4RTGORB/SH674164

4 HOLE

OPTIONAL ROMAN TUB FILLER ROUGH-IN VALVE

SKU: 448005



FEATURES

- Fits 4-hole
- Brass coupling nut Trim sold separately
- Flow rate: 8 GPM at 20 PSI
- Deck thickness max. 1.5" or screws can be removed to accommodate thicker deck installations up to 2"
- Replacement cartridges available -
HOT MIR3357027H and
COLD MIR3357027C

CODES/STANDARDS

- cUPC
- ASME A112.18.1/CSA B125.1
- ANSI A117.1 (when installed according to ADA standards)
- Massachusetts Accepted

SIGNATURE HARDWARE LIFETIME WARRANTY

See website for warranty information



All dimensions and specifications are nominal and may vary. Use actual products for accuracy in critical situations.

PAGE 3
CODE: SH674164