

60" x 32" BRADENTON

ACRYLIC DROP-IN TUB

SKU: 948046



CONTENTS

AIR & WHIRLPOOL TUB	PAGE 2
60" X 32" TUB	PAGE 3

FEATURES

- Integral arm rests.
- Textured slip-resistant bottom.
- Pre-leveled base.
- Tub options:
 - Soaking - No air feature.
 - Air - 65 Air jets circulate warm air throughout the tub, creating warm bubbles for a massaging, rejuvenating experience.
 - Whirlpool - 8 Strategically placed air jets move water with increased pressure for an invigorating bathing experience.
- Air Bath system uses a 7.5 amp, 600 watt heated blower for air bath system.
- Whirlpool system uses a powerful 1.75hp, 10.9 amp whirlpool pump.
- Air tub systems are pre-wired for simple plug-in installation.
- 43-gallon (162.8-Liters) operating capacity.
- ABS drain version available if needed for your installation.
- Optional Quick Connect Drop-In Drain Kit Includes:
 - Floor Plate, 1-1/2" PVC Pipe, 2" x 1-1/2" Trap Adapters, 1 Brass Threaded, 1 Brass Unthreaded Tailpiece and Plug.
- Installs above your subfloor, but underneath your cement floor or tile, so you do not need access below the fixture.

SIGNATURE HARDWARE Lifetime Warranty

See website for detailed warranty information.

REVISED 1/15/2020

CODE: SHBDA6032WH/SHBDS6032WH/SHBDW6032WH/SHPRESSHTR/PFTLK

AIR TUB AND WHIRLPOOL TUB

COMPONENTS LIST

- Powerful whirlpool pump with variable flow device
- Heated blower for air bath system

INSTALLATION

- Whirlpool and Total Massage units require dedicated 20 Amp, 120V service
- You must provide a receptacle with a 20 Amp configuration
- Electrical outlet must be mounted 4" (101mm) above the floor line and 12" max (305mm) inside from the edge of the bathtub, or in accordance with local building and electrical codes

INTEGRATED CONTROL PANEL

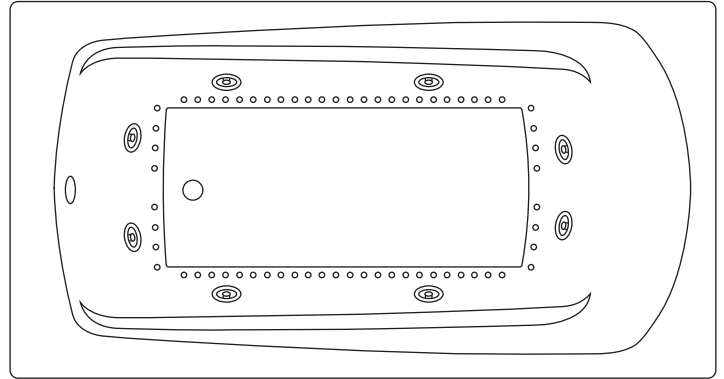
- Whirlpool Baths: Equipped with on/off switch actuator. Each depression of the switch will activate the pump
- Air Baths: Equipped with a 3-speed air switch actuator. Each depression of the switch will change the flow of air
- Total Massage Baths: Equipped with both an on/off air switch actuator for whirlpool function and 3-speed air switch actuator for air function

INSIDE OF BATH

- (8) HIGH-FLOW DIRECTIONAL AND VOLUME-ADJUSTABLE WHIRLPOOL JETS
- (65) CHANNEL-FED AIRJETS (air bath and total massage)

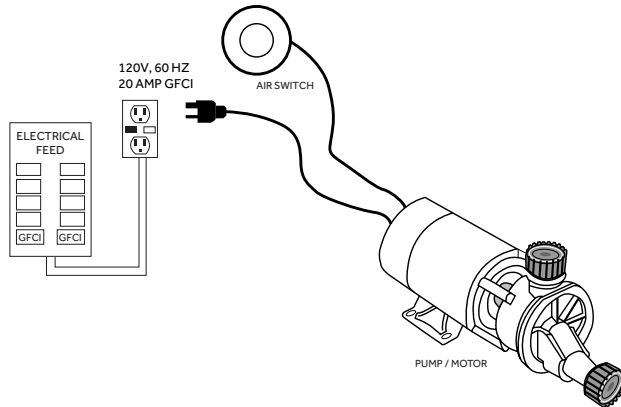


WHIRLPOOL JET

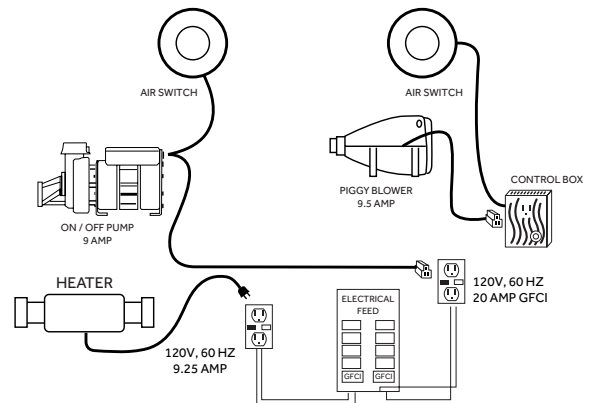


ELECTRICAL CONFIGURATIONS

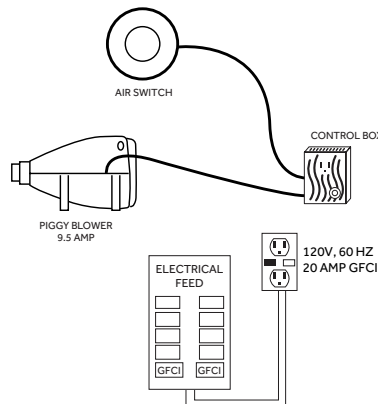
WHIRLPOOL WITH INSTALLED AIR SWITCH



TOTAL MASSAGE CIRCUIT WITH OPTIONAL HEATER



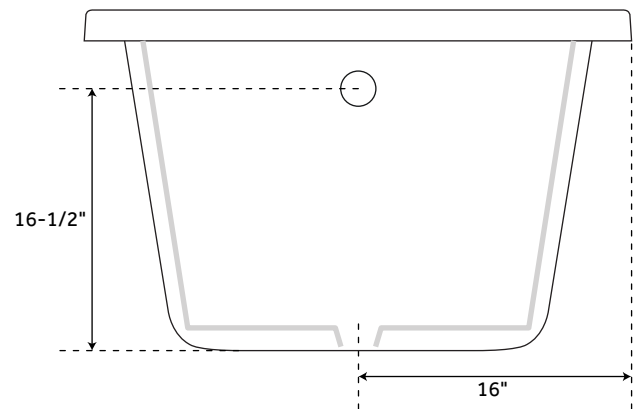
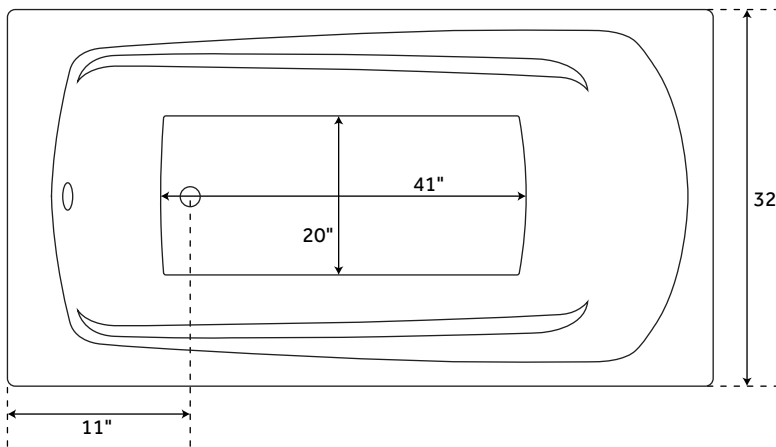
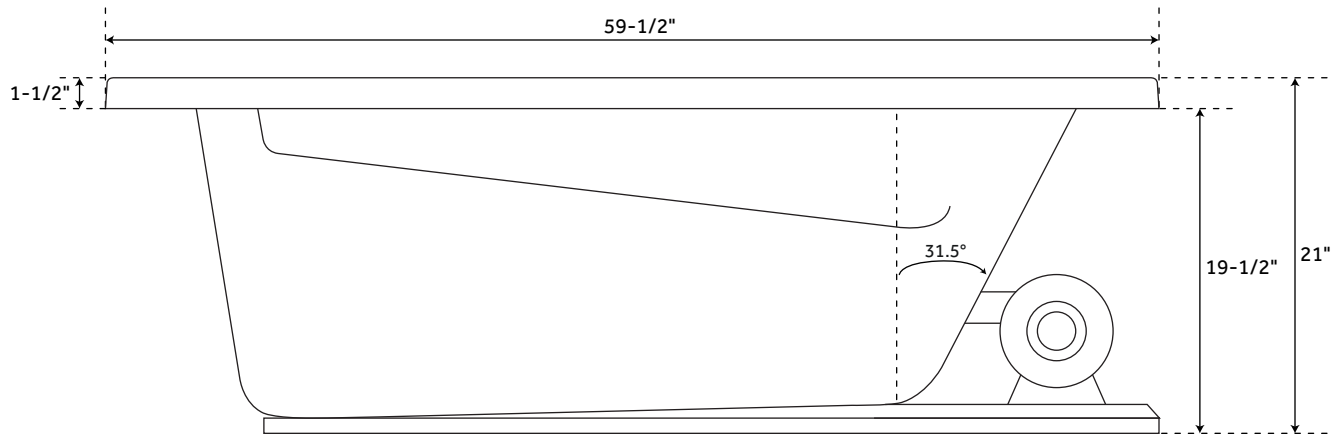
AIR BATH CIRCUIT



60" x 32" BRADENTON

ACRYLIC DROP-IN TUB

SKU: 948046



FEATURES

- Product Finish: White
- Overflow Hole: Yes
- Shape: Rectangle
- Material: Acrylic
- Length: 59-1/2"
- Width: 32"
- Height: 21"
- Tub Interior Length: 41"
- Tub Interior Width: 20"
- Water Depth To Overflow: 16-1/2"
- Drain Included: Optional
- Drain Placement: End
- Faucet Included: No
- Water Capacity (Gallons): 59
- All dimensions ($\pm 1/2"$).

SIGNATURE HARDWARE LIFETIME WARRANTY

See website for warranty information



All dimensions and specifications are nominal and may vary. Use actual products for accuracy in critical situations.

PAGE 3