

VILAMONTE

3-HOLE ROMAN TUB FILLER

SKU: 948685



FEATURES

- 3-hole installation.
- Optional rough-in valve:
- Brass coupling nut.
- Accommodates an 8" - 16" faucet spread.
- Deck thickness max. 1.5" or screws can be removed to accommodate thicker deck installations up to 2".

SIGNATURE HARDWARE Lifetime Warranty

See website for detailed warranty information.

CONTENTS

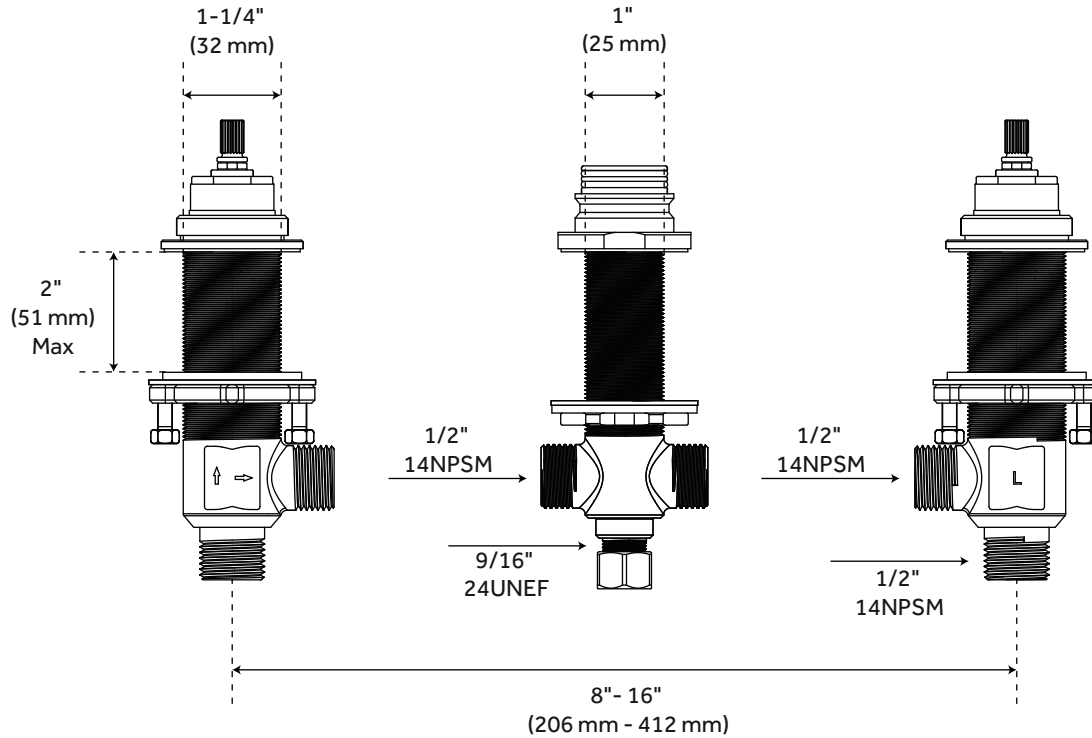
| | |
|------------------|--------|
| TUB FILLER | PAGE 2 |
| VALVE | PAGE 3 |

REVISED 01/15/2020

3 HOLE

OPTIONAL ROMAN TUB FILLER ROUGH-IN VALVE

SKU: 448004



FEATURES

- Fits 3-hole
- Brass coupling nut Trim sold separately
- Flow rate: 8 GPM at 20 PSI
- Deck thickness max. 1.5" or screws can be removed to accommodate thicker deck installations up to 2"
- Replacement cartridges available -
HOT MIR3357027H and
COLD MIR3357027C

CODES/STANDARDS

- cUPC
- ASME A112.18.1/CSA B125.1
- ANSI A117.1 (when installed according to ADA standards)
- Massachusetts Accepted

SIGNATURE HARDWARE LIFETIME WARRANTY

See website for warranty information



All dimensions and specifications are nominal and may vary. Use actual products for accuracy in critical situations.

PAGE 3
CODE: SH674163