

# PROVINCETOWN

## IN-WALL SHOWER DIVERTER TRIM KIT

SKU: 948542



### FEATURES

Diverter Included: Optional

Diverter Outlets: 3

Six total settings allow for shared water flow between outlets, giving you the ability to use two functions at once.

Available Single-Function Diverter Valve Cartridge restricts water flow to one outlet at a time.

Not intended as a shut off valve.

### SIGNATURE HARDWARE Lifetime Warranty

See website for detailed warranty information.

### CONTENTS

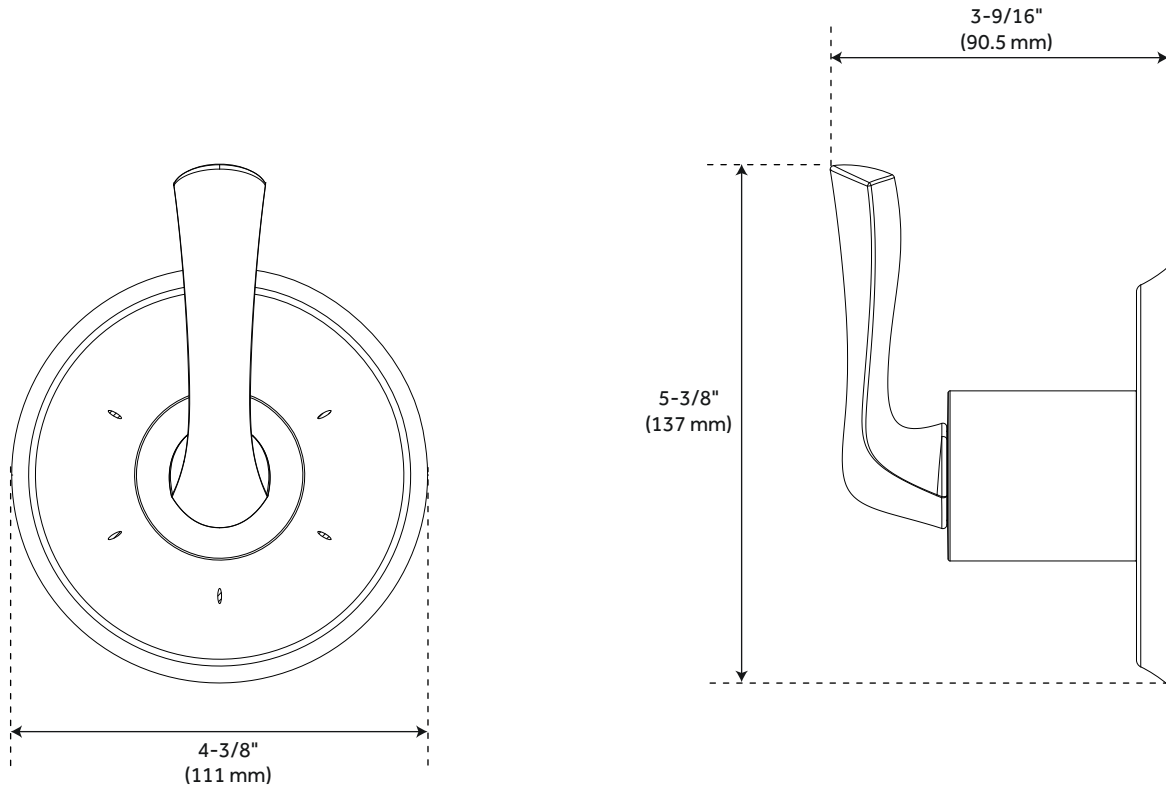
TRIM	.....	PAGE 2
ROUGH-IN VALVE	.....	PAGE 3

REVISED 01/17/2020

# PROVINCETOWN

## IN-WALL SHOWER DIVERTER TRIM KIT

SKU: 948542



### FEATURES

Material: Brass  
Shape: Round  
Handle Type: Lever  
Assembly Required: No  
Installation Type: Wall Mount  
Mounting Hardware Included: Yes  
Valve Trim Width: 4-3/8"  
Valve Trim Height: 5-3/8"  
Diverter Included: Optional  
Diverter Outlets: 3  
Six total settings allow for shared water flow between outlets, giving you the ability to use two functions at once.  
Available Single-Function Diverter Valve Cartridge restricts water flow to one outlet at a time.  
Not intended as a shut off valve.

### CODES/STANDARDS

cUPC  
ASME A112.18.1/CSA B125.1  
ICC/ANSI A117.1 (when installed according to ADA standards)  
Massachusetts Accepted



### SIGNATURE HARDWARE LIFETIME WARRANTY

See website for warranty information



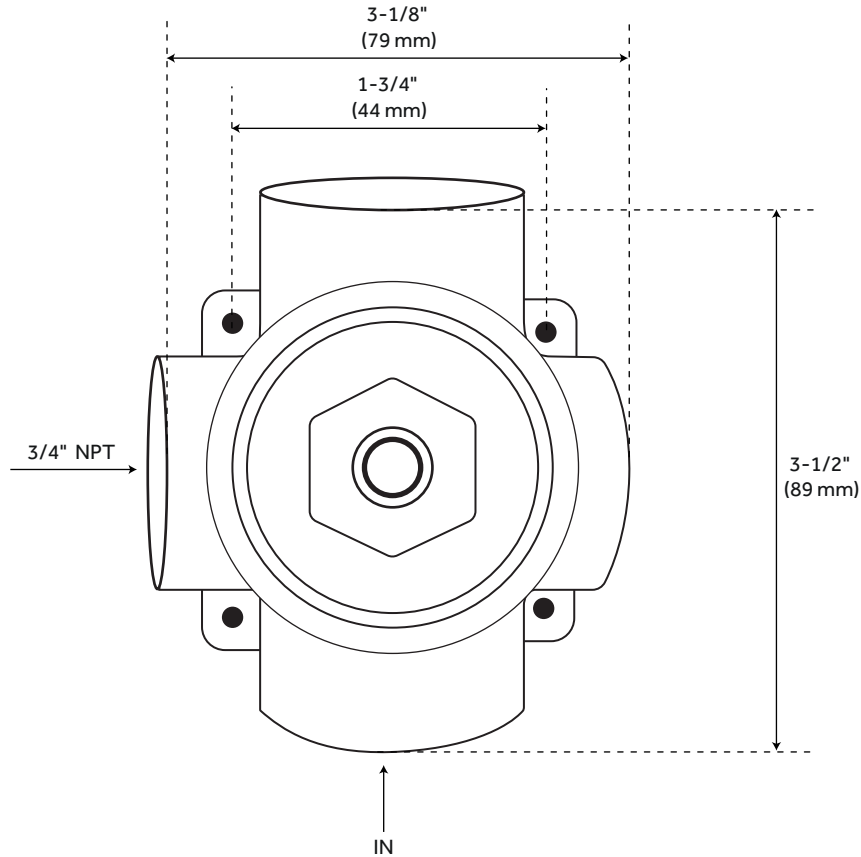
All dimensions and specifications are nominal and may vary. Use actual products for accuracy in critical situations.

PAGE 2  
CODE: SHPR9005NBN/SHPR9005NCP

# 3-WAY IN-WALL

## DIVERTER ROUGH-IN VALVE

SKU: 446519



### FEATURES

- Material: Brass
- NPT Connection: 3/4"
- Six total settings allow for shared water flow between outlets, giving you the ability to use two functions at once.
- Ceramic cartridge.
- Available Single-Function Diverter Valve Cartridge restricts water flow to one outlet at a time.
- Not intended as a shut off valve.
- Compatible with Boca Raton, Carraway, Edenton, Greyfield, Hibiscus, Key West, Pendleton, Pinecrest, Provincetown, Rigi, St. Martin and Vilamonte Diverter Trims.

### CODES/STANDARDS

- cUPC
- ASME A112.18.1/CSA B125.1
- Massachusetts Accepted



### SIGNATURE HARDWARE LIFETIME WARRANTY

See website for warranty information



All dimensions and specifications are nominal and may vary. Use actual products for accuracy in critical situations.

PAGE 3  
CODE: SH6103