

TRADITIONAL

ROUND RAINFALL SHOWER HEAD WITH GOOSENECK SHOWER ARM

SKU: 949068



FEATURES

- Shape: Round
- Assembly Required: No
- Features: Gooseneck
- Shower Head Installation Type: Wall
- Shower Head Spray: Single Function (Full Spray)
- Shower Arm Included: Yes
- Shower Head Spray: Rainfall
- Shower Head Swivel: Yes
- Easy Clean Rubber Nozzles
- Brass Ball Joint
- Escutcheon Included: Yes

SIGNATURE HARDWARE Lifetime Warranty

See website for detailed warranty information.

CONTENTS

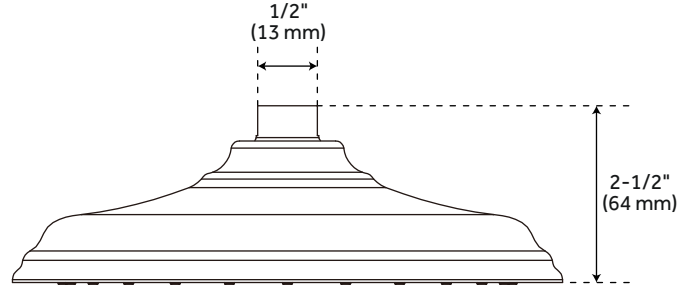
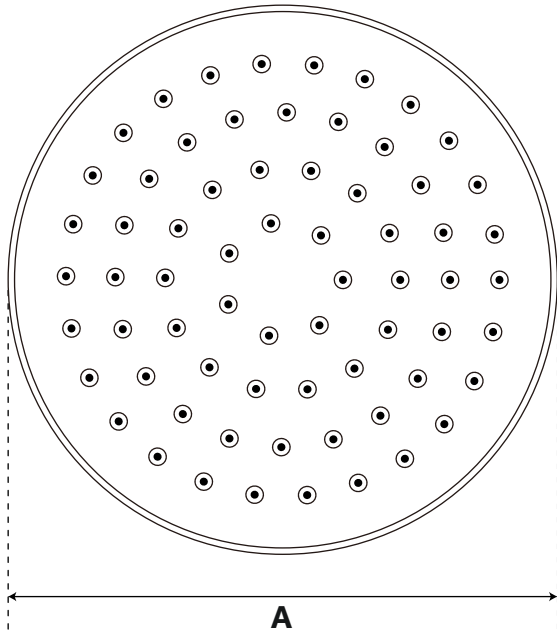
SHOWER HEAD	PAGE 2
SHOWER ARM	PAGE 3

REVISED 01/07/2020

TRADITIONAL

ROUND RAINFALL SHOWER HEAD

SKU: 949068



Product Code	Reference A	Max Flow-Rate
SHRS820TG	8" (203 mm)	1.8 gpm (6.8L/min) max @ 80 psi
SHRS825T	8" (203 mm)	2.5 gpm (9.5L/min) max @ 80 psi
SHRS1020TG	10" (254 mm)	1.8 gpm (6.8L/min) max @ 80 psi
SHRS1025T	10" (254 mm)	2.5 gpm (9.5L/min) max @ 80 psi

FEATURES

Material: Stainless Steel
 Height: 2-1/2"
 IPS: 1/2"

CODES/STANDARDS

SHRS820TG/SHRS1020TG
 cUPC
 ASME A112.18.1/CSA B125.1
 CEC Listed



SHRS825T/SHRS1025T
 cUPC
 ASME A112.18.1/CSA B125.1



SIGNATURE HARDWARE LIFETIME WARRANTY

See website for warranty information



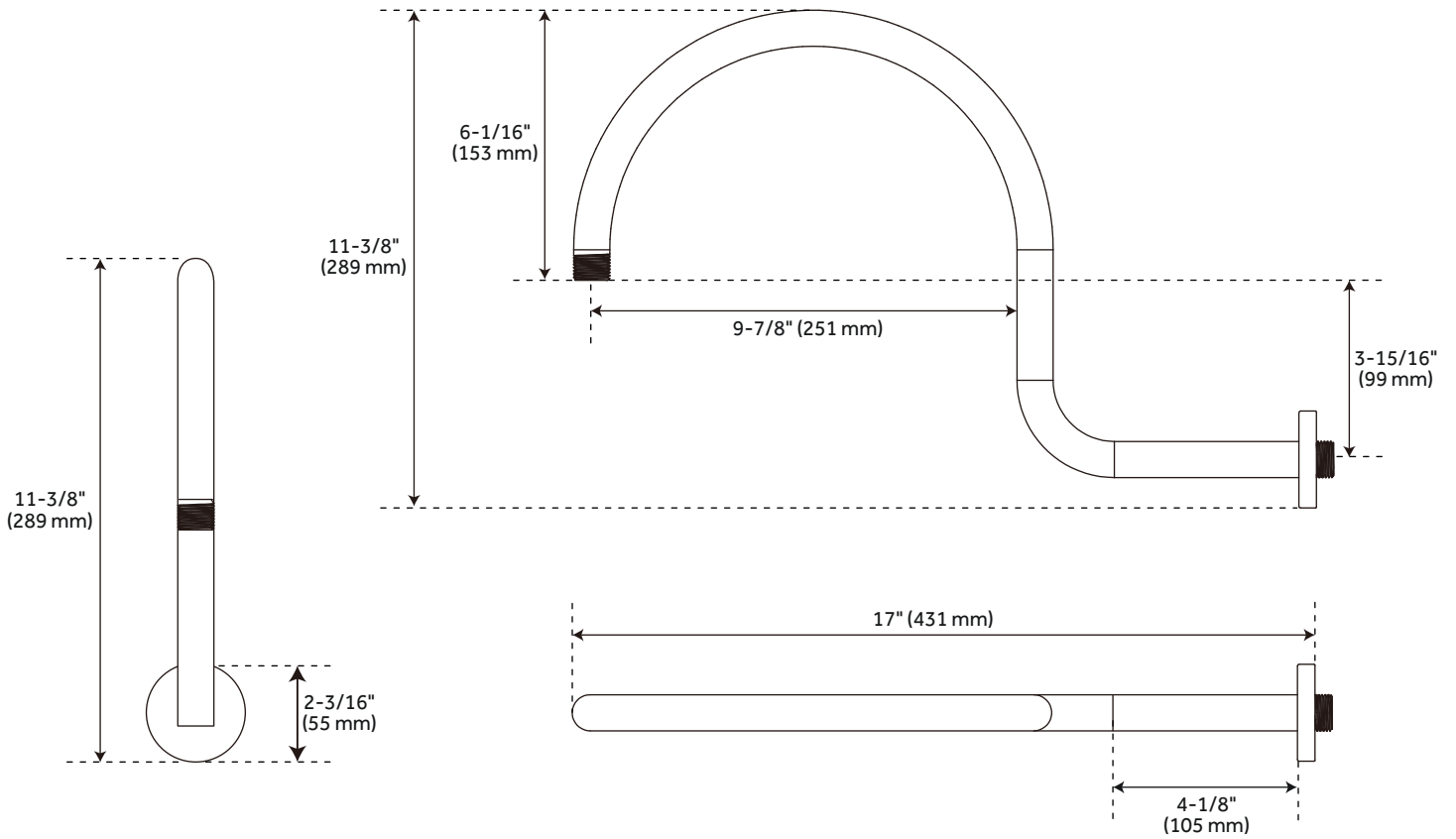
All dimensions and specifications are nominal and may vary. Use actual products for accuracy in critical situations.

PAGE 2
 Code: SHRS820TGBN
 SHRS820TGCP/SHRS820TGORB/SHRS820TGPB
 SHRS825TBN/SHRS825TCP/SHRS825TORB
 SHRS825TPN/SHRS1020TGBN/SHRS1020TGCP
 SHRS1020TGORB/SHRS1020TGPB/SHRS1025TBN
 SHRS1025TCP/SHRS1025TORB/SHRS1025TPN

TRADITIONAL

GOOSENECK SHOWER ARM

SKU: 949068



FEATURES

Material: Brass
Length: 17"
Height: 11-3/8"
IPS: 1/2"

CODES/STANDARDS

cUPC
ASME A112.18.1/CSA B125.1

SIGNATURE HARDWARE LIFETIME WARRANTY

See website for warranty information



All dimensions and specifications are nominal and may vary. Use actual products for accuracy in critical situations.

PAGE 3
Code: SHRSA160BN/SHRSA160CP
SHRSA160ORB/SHRSA160PN