

CLASSIC

MULTIFUNCTION HAND SHOWER WITH HOSE

SKU: 949085



FEATURES

Assembly Required: No
3 Function Hand Shower (Full Spray, Massage Spray, Full & Massage Spray)
Easy Clean Rubber Nozzles
Hand Shower Includes Backflow Prevention
60" - 72" Stretchable Metal Shower Hose
Double Spiral Constructed Hose
Metal Conical Nut
Maximum Flow Rate: 1.8 gpm (6.8L/min) max @ 80 psi

SIGNATURE HARDWARE Lifetime Warranty

See website for detailed warranty information.

CONTENTS

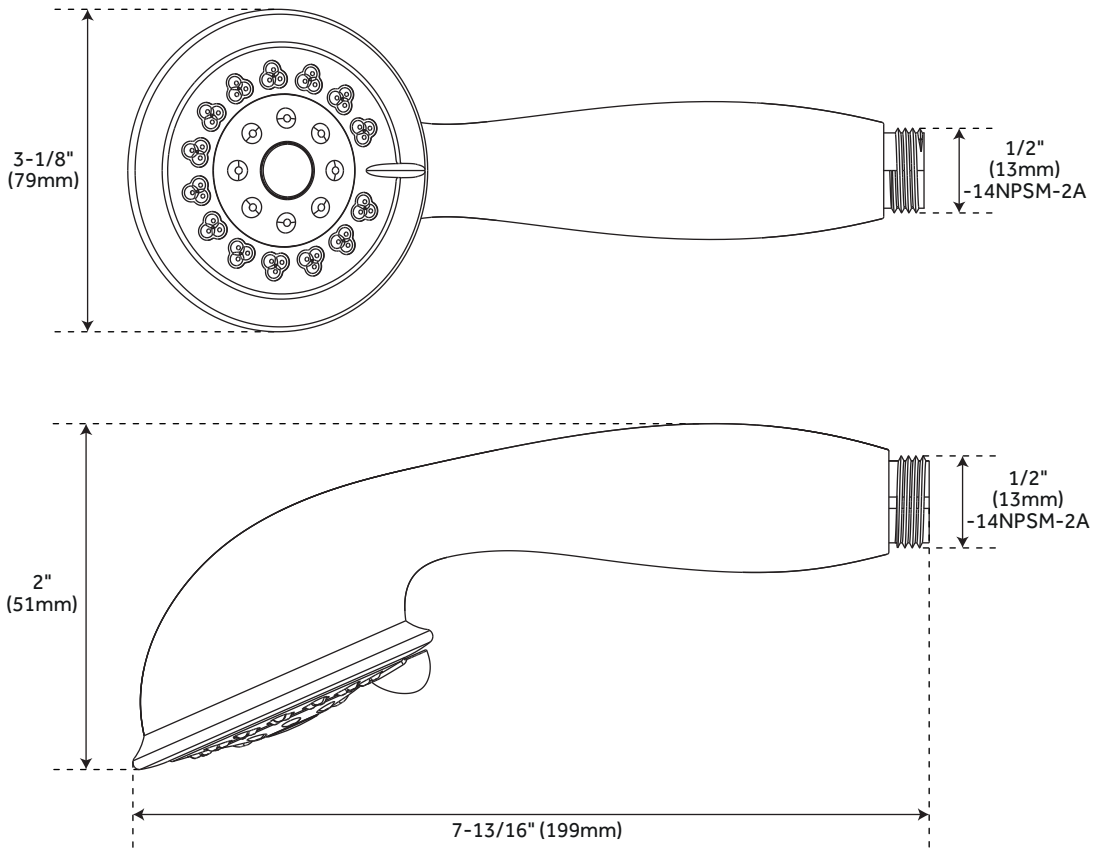
HAND SHOWER	PAGE 2
HOSE	PAGE 3

REVISED 12/19/2019

CLASSIC

MULTIFUNCTION HAND SHOWER

SKU: 949085



FEATURES

Material: ABS
Shape: Round
Length: 3-1/8"
Width: 2"
Height: 7-13/16"

CODES/STANDARDS

cUPC
ASME A112.18.1/CSA B125.1
ADA compliant (when installed according to
ADA standards)
ASME A112.18.3
WaterSense
Massachusetts Accepted

SIGNATURE HARDWARE LIFETIME WARRANTY

See website for warranty information



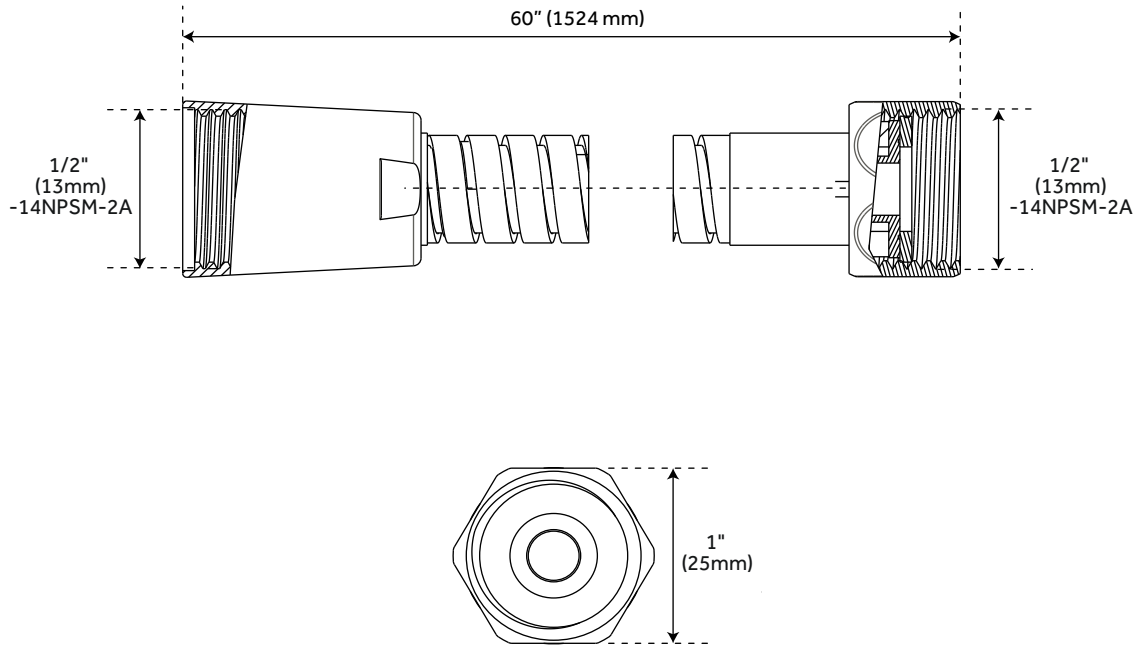
All dimensions and specifications are nominal and may vary. Use actual products for accuracy in critical situations.

PAGE 2
Code: SHHS4070GBN/SHHS4070GCP
SHHS4070GORB/SHHS4070GPN

CLASSIC

METAL HAND SHOWER HOSE

SKU: 949085



FEATURES

Length: 60"
Width: 1/2"
NPT Connection: 1/2"

CODES/STANDARDS

cUPC
ASME A112.18.1/CSA B125.1
Massachusetts Accepted

SIGNATURE HARDWARE LIFETIME WARRANTY

See website for warranty information



All dimensions and specifications are nominal and may vary. Use actual products for accuracy in critical situations.

PAGE 3
Code: SHH1010BN/SHH1010CP
SHH1010ORB/SHH1010PN