

# PENDLETON

## PRESSURE BALANCE SHOWER VALVE TRIM

SKU: 948893



### FEATURES

Shape: Round  
Handle Type: Lever  
Features: Pressure-Balanced  
Assembly Required: No  
Installation Type: Wall  
Metal Handle  
Extension Kit Available: ACF4001EXT  
Optional Rough-in Valve

### SIGNATURE HARDWARE Lifetime Warranty

See website for detailed warranty information.

### CONTENTS

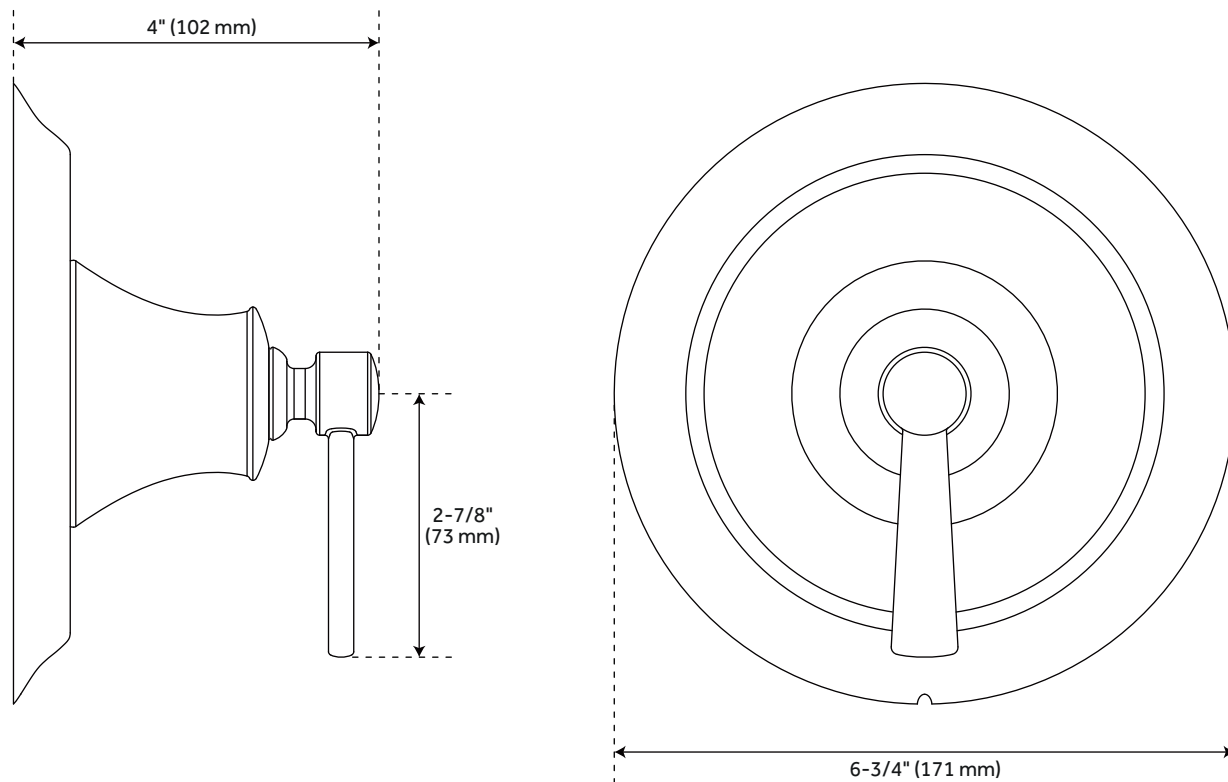
TRIM ..... PAGE 2  
VALVE ..... PAGE 3

REVISED 01/15/2020

# PENDLETON

## PRESSURE BALANCE SHOWER TRIM

SKU: 948893



### FEATURES

Material: Brass  
Width: 6-3/4"  
Height: 6-3/4"  
Depth: 4"  
NPT Connection: 1/2"

### CODES/STANDARDS

cUPC  
ASME A112.18.1/CSA B125.1  
ICC/ANSI A117.1 (when installed according  
to ADA standards)  
Massachusetts Accepted

### SIGNATURE HARDWARE LIFETIME WARRANTY

See website for warranty information



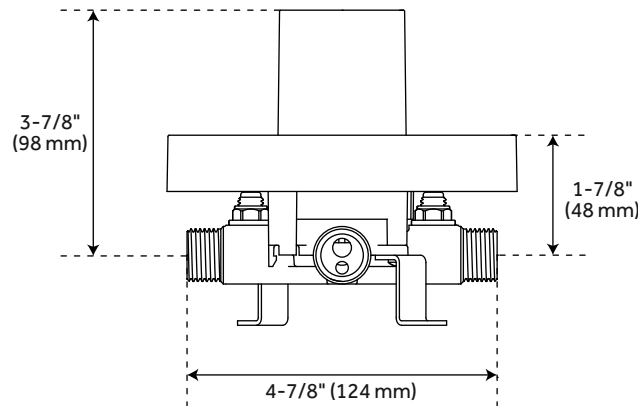
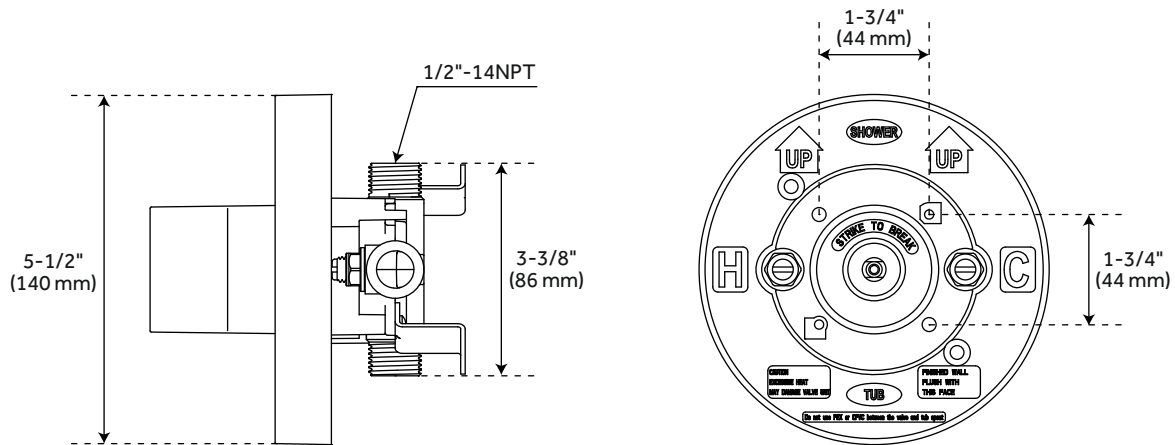
All dimensions and specifications are nominal and may vary. Use actual products for accuracy in critical situations.

PAGE 2  
Code: SHPT8010BN/SHPT8010CP/SHPT8010PN

# PENDLETON

## OPTIONAL PRESSURE BALANCE TUB AND SHOWER ROUGH IN VALVE

SKU: 948893



### FEATURES

- Pressure Balance Valve With Integral Stops
- One-Piece Cartridge Design For Ease Of Maintenance
- Back-To-Back Capability
- Ceramic Disc Valve Cartridge
- Cast Bronze Valve Body
- Adjustable Temperature Limit Stop
- Quick Remove Plaster Guard
- Easy Mounting Brackets

### CODES/STANDARDS

- cUPC
- ASME A112.18.1/CSA B125.1
- Massachusetts Accepted

### SIGNATURE HARDWARE LIFETIME WARRANTY

See website for warranty information



All dimensions and specifications are nominal and may vary. Use actual products for accuracy in critical situations.

PAGE 3  
Code: SH4001