

# KEY WEST

## PRESSURE BALANCE TUB AND SHOWER SET

SKU: 948671



### FEATURES

Material: Brass  
Shape: Round  
Handle Type: Lever  
Assembly Required: No  
Installation Type: Wall  
Shower Head Material: ABS  
Shower Head Spray: Multi-Function  
Shower Arm Included: Yes  
Shower Head Swivel: Yes  
Diverter Included: Yes  
5 Function Shower Head (Aerated, Aerated & Spray, Spray, Massage & Spray, and Massage).  
Slip-Fit Tub Spout  
Extension Kit Available: ACF4001EXT  
Optional Rough-In Valve  
Shower Head Flow Rate: 1.8 gpm  
(6.8L/min) max @ 80 psi

### SIGNATURE HARDWARE Lifetime Warranty

See website for detailed warranty information.

### CONTENTS

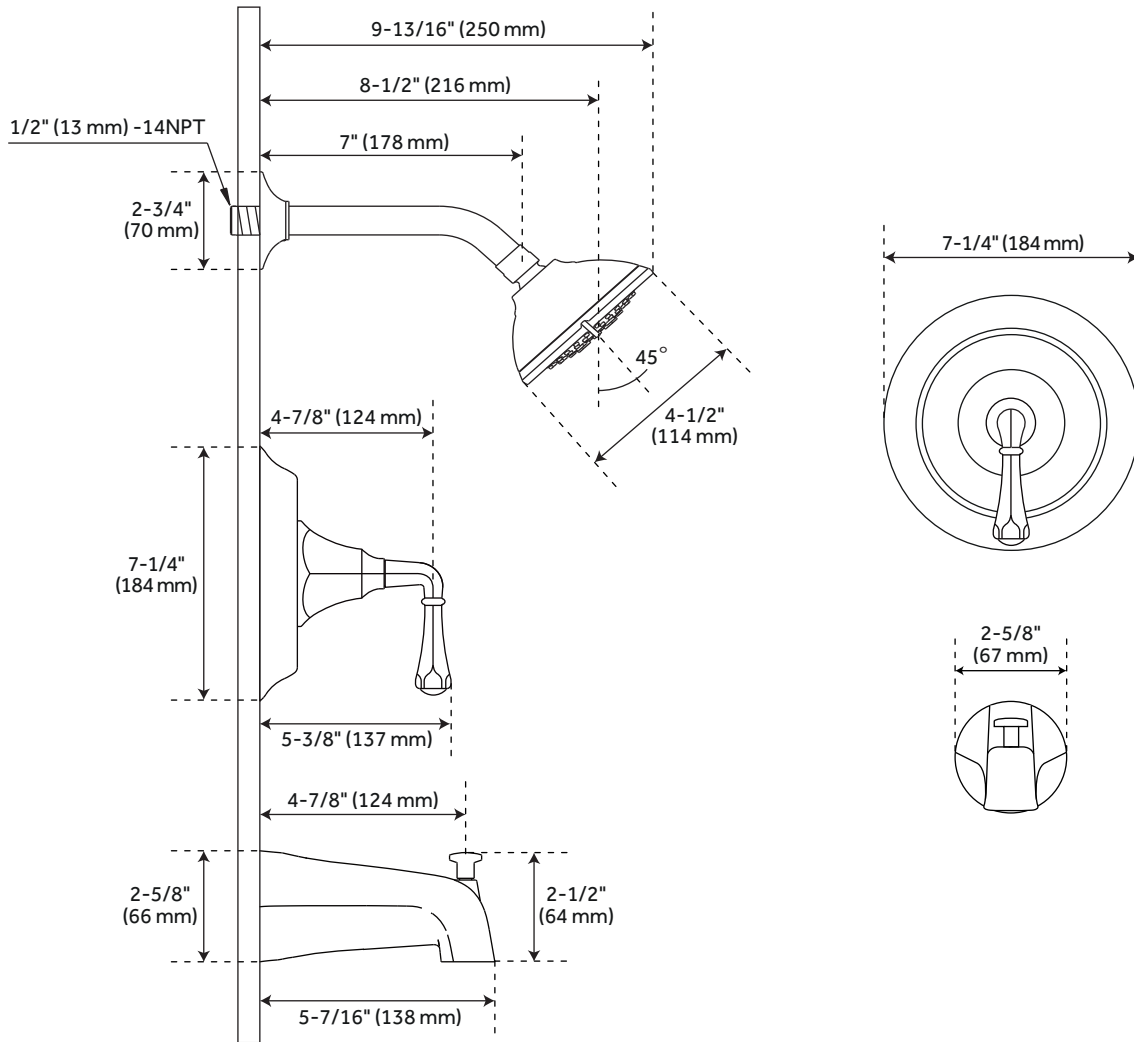
SHOWER SET .....	PAGE 2
VALVE .....	PAGE 3

REVISED 01/14/2020

# KEY WEST

## PRESSURE BALANCE TUB AND SHOWER SET

SKU: 948671



### FEATURES

- Shower Head Diameter: 4-1/2"
- Shower Arm Extension: 7"
- Shower Head IPS: 1/2"
- Tub Filler Spout Reach: 4-7/8"
- Valve Trim Width: 7-1/4"
- Valve Trim Height: 7-1/4"
- NPT Connection: 1/2"

### CODES/STANDARDS

- cUPC
- ASME A112.18.1/CSA B125.1
- ADA compliant (when installed according to ADA standards)
- WaterSense
- CEC Listed
- Cal Green
- Massachusetts Accepted

### SIGNATURE HARDWARE LIFETIME WARRANTY

See website for warranty information



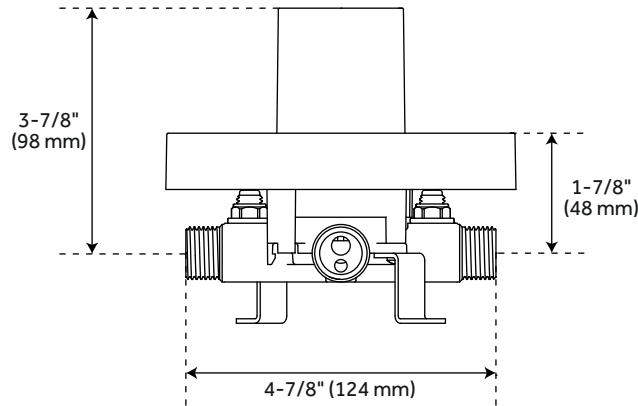
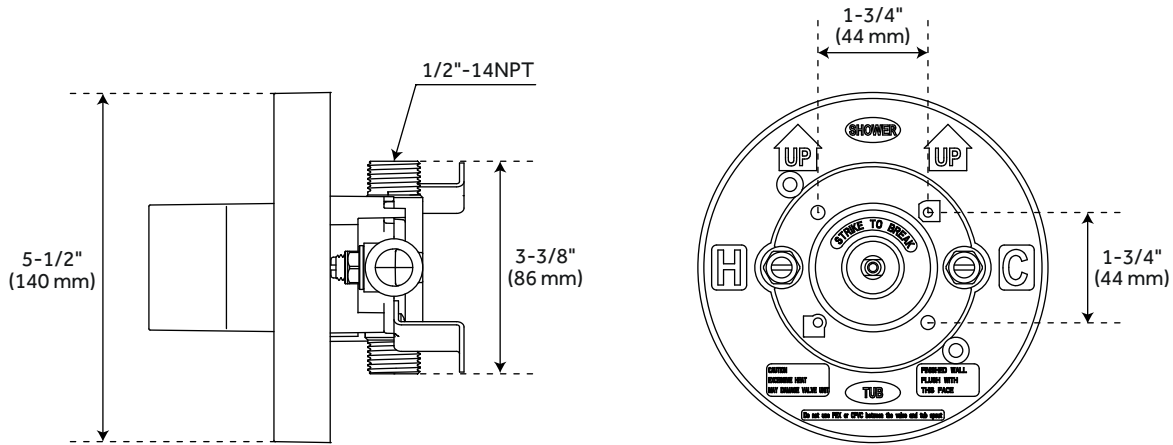
All dimensions and specifications are nominal and may vary. Use actual products for accuracy in critical situations.

PAGE 2  
Code: SHKW8030GBN/SHKW8030GCP  
SHKW8030GNORB

# KEY WEST

## OPTIONAL PRESSURE BALANCE TUB AND SHOWER ROUGH IN VALVE

SKU: 948671



### FEATURES

- Pressure Balance Valve With Integral Stops
- One-Piece Cartridge Design For Ease Of Maintenance
- Back-To-Back Capability
- Ceramic Disc Valve Cartridge
- Cast Bronze Valve Body
- Adjustable Temperature Limit Stop
- Quick Remove Plaster Guard
- Easy Mounting Brackets
- Check Valve
- ACF4001STOP: Replacement

### CODES/STANDARDS

- cUPC
- ASME A112.18.1/CSA B125.1
- Massachusetts Accepted

### SIGNATURE HARDWARE LIFETIME WARRANTY

See website for warranty information



All dimensions and specifications are nominal and may vary. Use actual products for accuracy in critical situations.

PAGE 3  
Code: SH4001