

PENDLETON

IN-WALL SHOWER DIVERTER

SKU: 948904



FEATURES

- Shape: Round
- Handle Type: Lever
- Assembly Required: No
- Installation Type: Wall
- Metal Lever Handle
- Not Intended as a Shut Off Valve
- Six Total Settings Allow For Shared Water Flow Between Outlets, Giving You the Ability to Use Two Functions at Once
- Optional Rough-In Valve

SIGNATURE HARDWARE Lifetime Warranty

See website for detailed warranty information.

CONTENTS

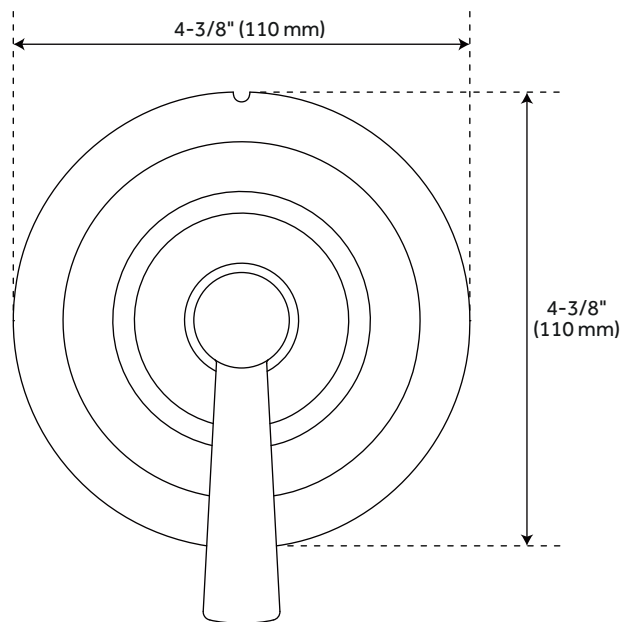
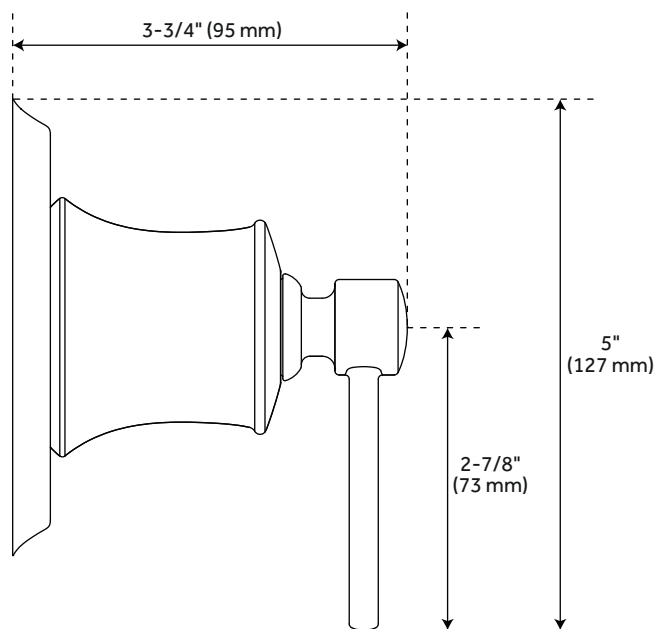
DIVERTER	PAGE 2
VALVE	PAGE 3

REVISED 01/16/2020

PENDLETON

IN-WALL SHOWER DIVERTER

SKU: 948904



FEATURES

Material: Brass
Width: $4\text{-}3/8"$
Height: $4\text{-}3/8"$
Depth: $3\text{-}3/4"$
NPT Connection: $3/4"$

CODES/STANDARDS

cUPC
ASME A112.18.1/CSA B125.1
ICC/ANSI A117.1 (when installed according to ADA standards)
Massachusetts Accepted

SIGNATURE HARDWARE LIFETIME WARRANTY

See website for warranty information



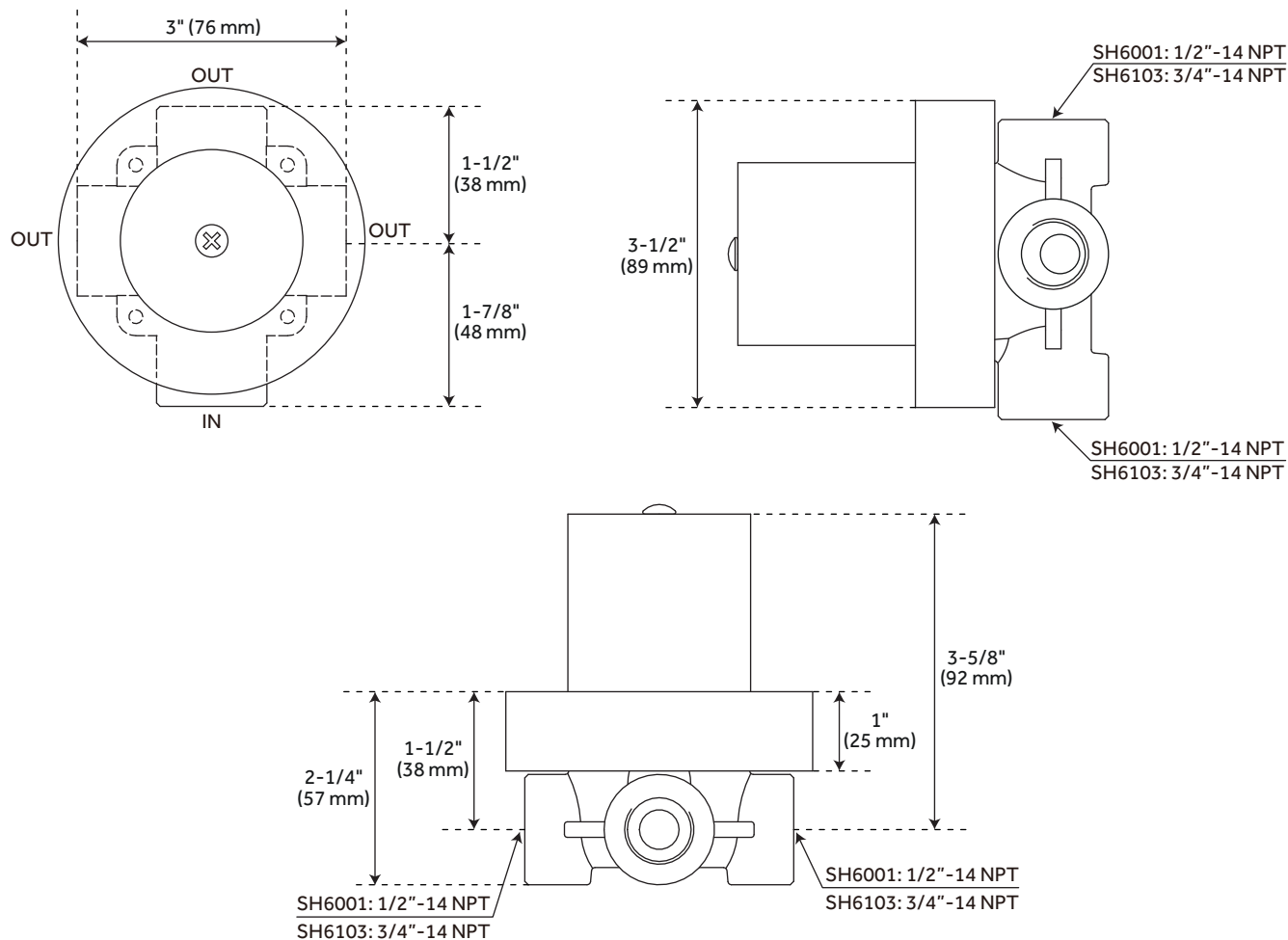
All dimensions and specifications are nominal and may vary. Use actual products for accuracy in critical situations.

PAGE 2
Code: SHPT9005BN/SHPT9005CP/SHPT9005PN

PENDLETON

OPTIONAL 3-WAY IN-WALL DIVERTER ROUGH-IN VALVE

SKU: 948904



FEATURES

- Material: Brass
- NPT Connection: 3/4"
- Available Single-Function Diverter Valve
 - Cartridge Restricts Water Flow to One Outlet at a Time
- Ceramic Cartridge
- Must Be Installed in Accordance With Provided Installation Instructions

CODES/STANDARDS

- cUPC
- ASME A112.18.1/CSA B125.1
- Massachusetts Accepted

SIGNATURE HARDWARE LIFETIME WARRANTY

See website for warranty information



All dimensions and specifications are nominal and may vary. Use actual products for accuracy in critical situations.

PAGE 3
Code: SH6103