



VINTAGE PRESSURE BALANCE SHOWER SYSTEM DUAL SHOWER HEADS AND 3 BODY SPRAYS LEVER HANDLE

SPECIFICATIONS

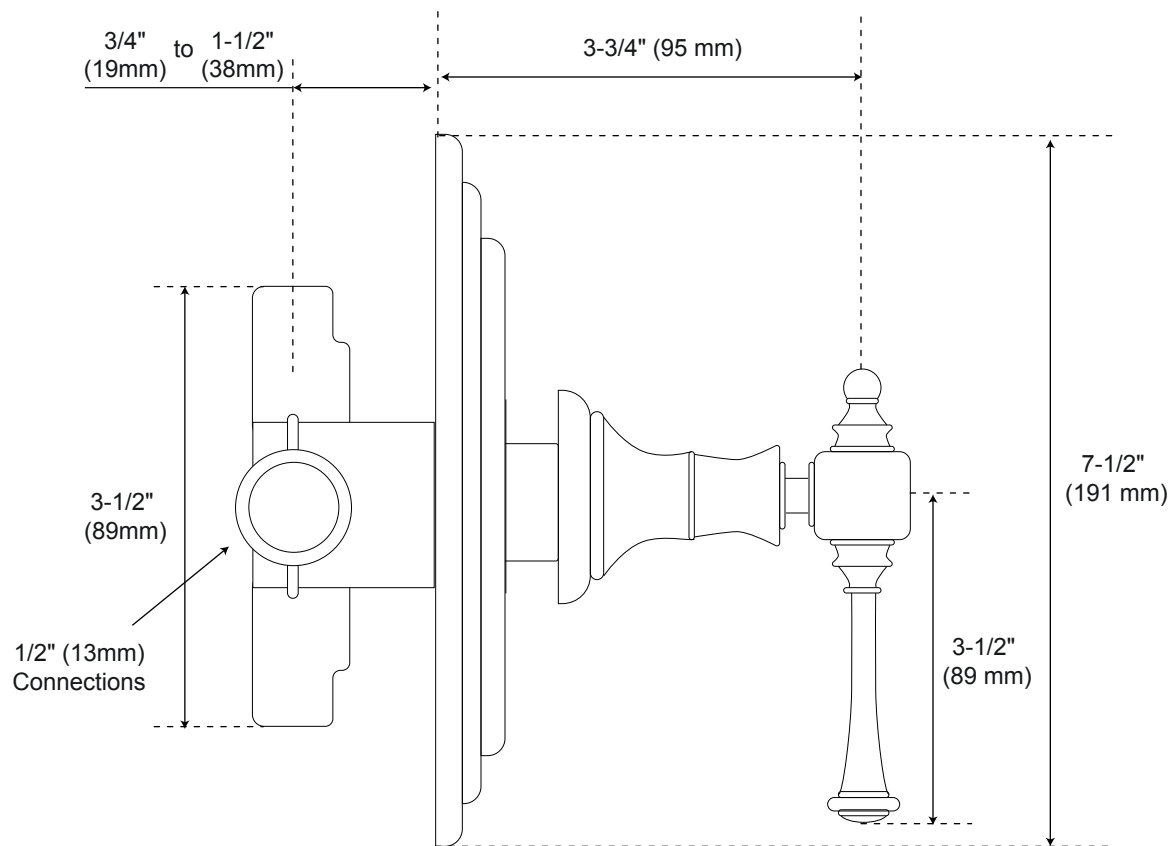
CONTENTS

| | |
|---------------------------|---|
| Shower Valve..... | 2 |
| Diverter..... | 3 |
| Wall Shower Head..... | 4 |
| Overhead Shower Head..... | 5 |
| Body Sprays..... | 6 |



Shower Valve

Side

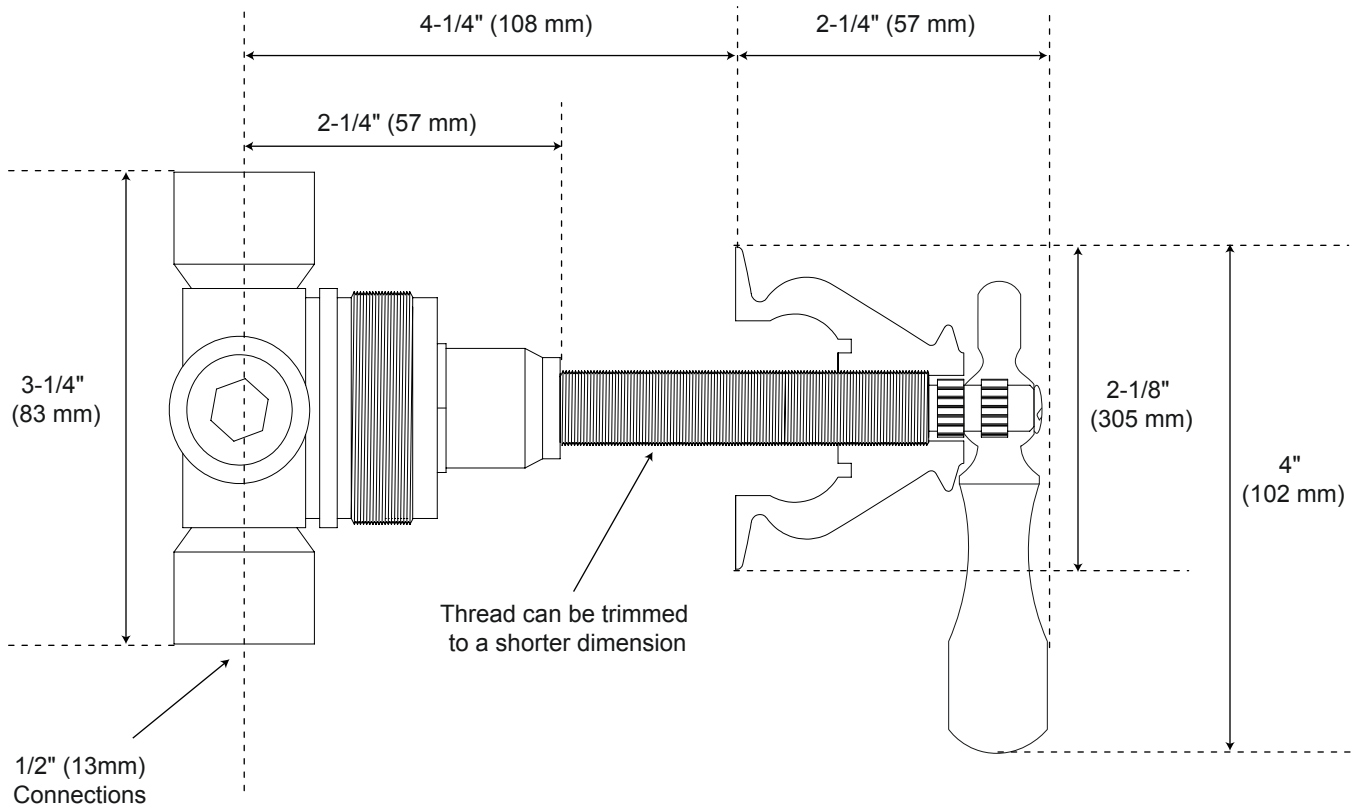


All product dimensions are nominal.



Diverter

Side

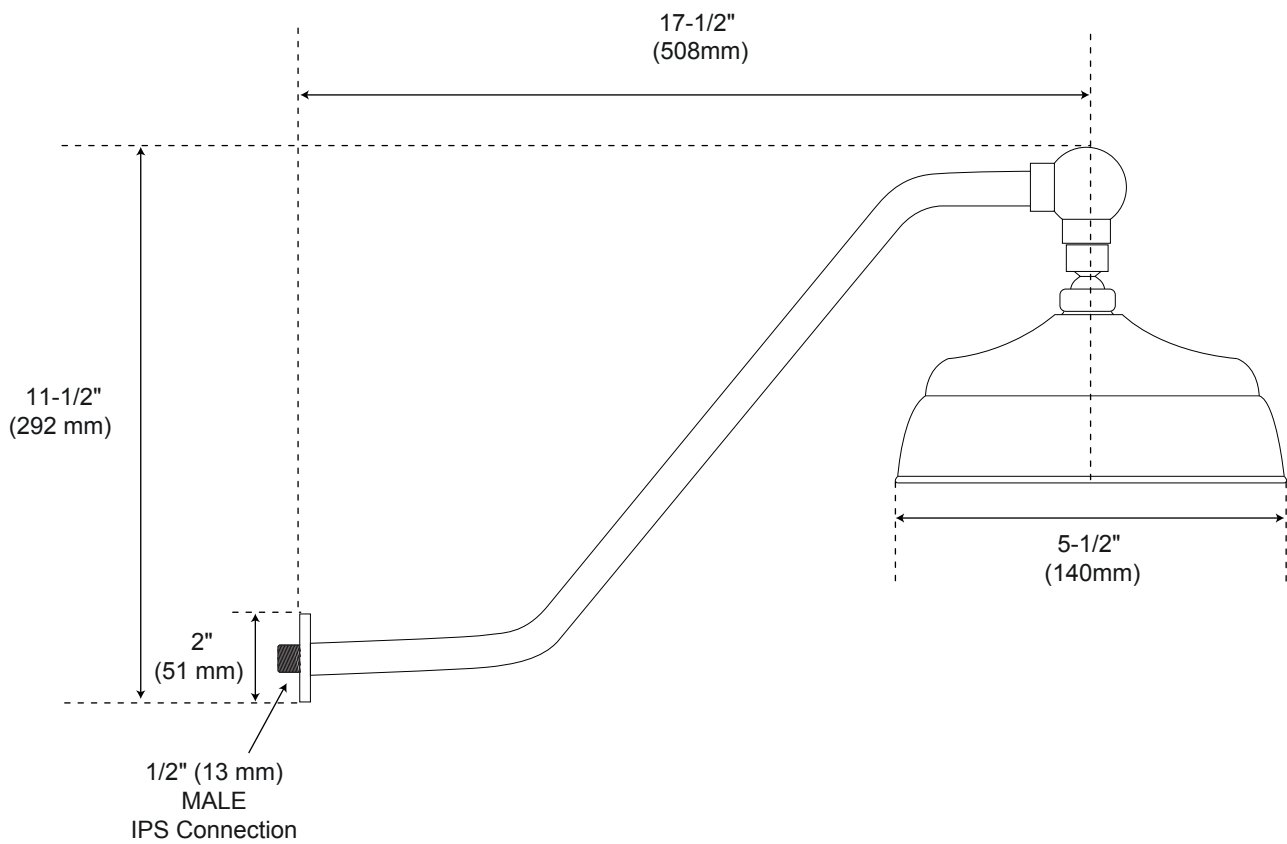


All product dimensions are nominal.



Wall Shower Head

Side

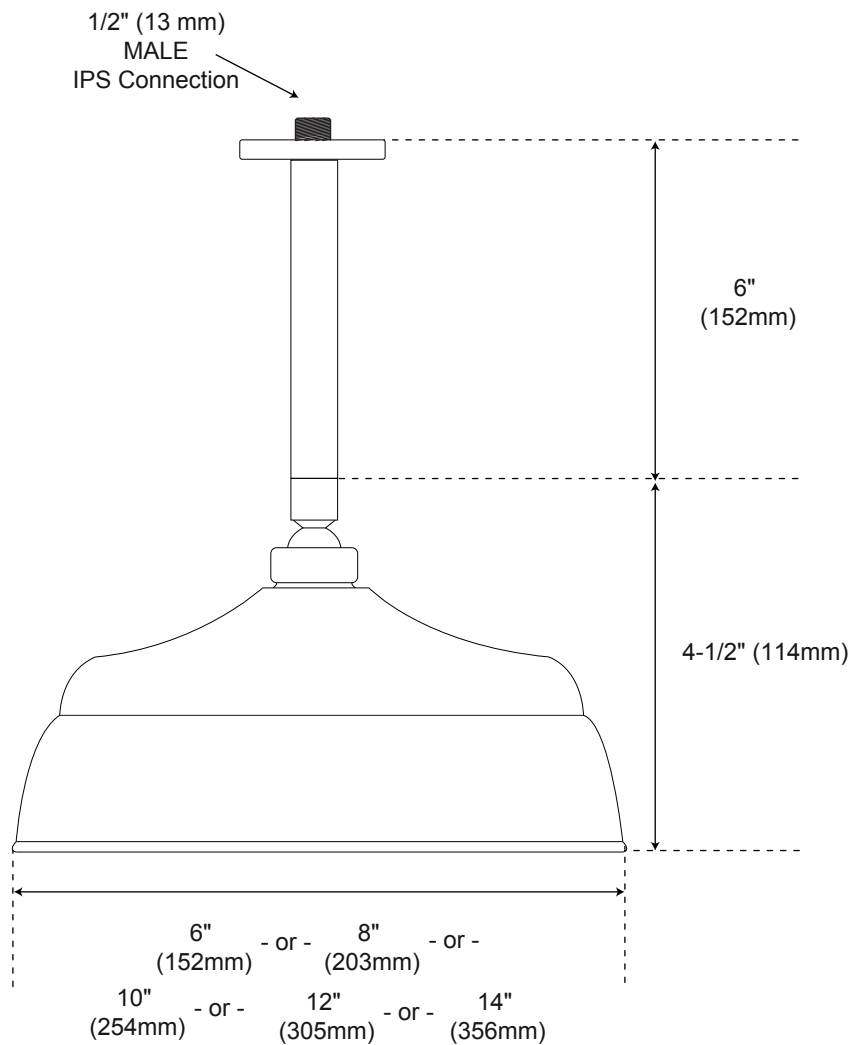


All product dimensions are nominal.



Overhead Shower Head

Side

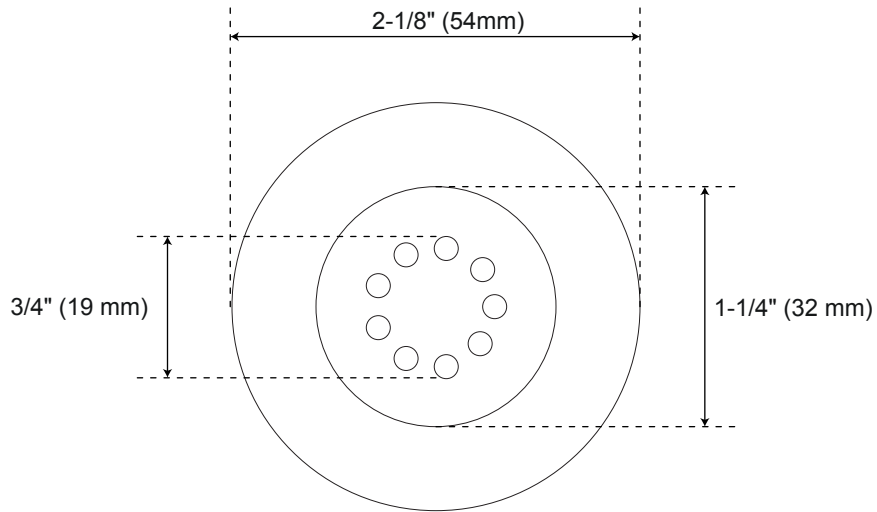


All product dimensions are nominal.

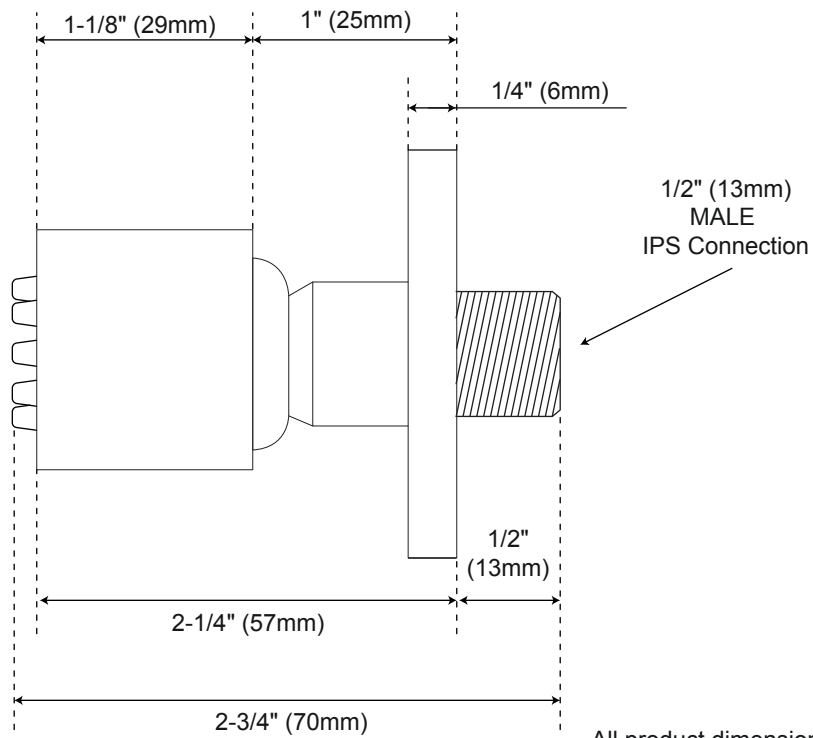


Body Sprays

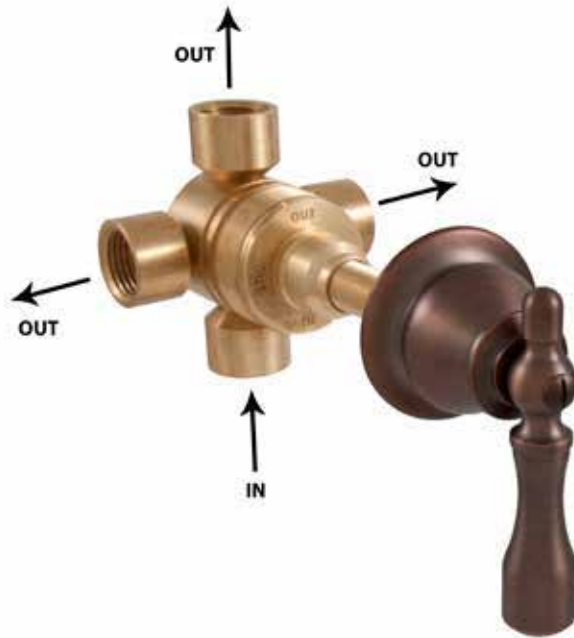
Front



Side



All product dimensions are nominal.



All product dimensions are nominal.