



VINTAGE PRESSURE BALANCE SHOWER SYSTEM DUAL SHOWER HEADS AND HAND SHOWER LEVER HANDLE

SPECIFICATIONS

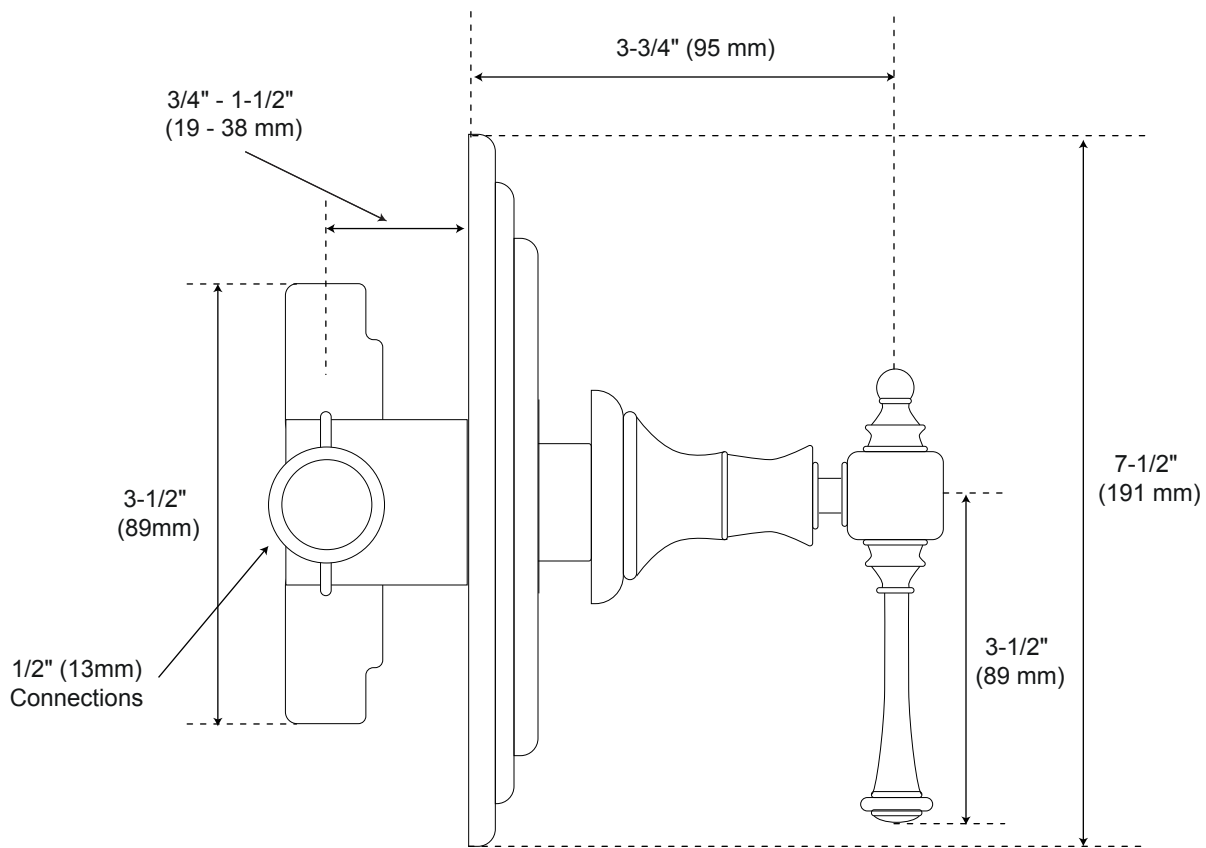
CONTENTS

| | |
|---------------------------|---|
| Shower Valve..... | 2 |
| Diverter..... | 3 |
| Wall Shower Head..... | 4 |
| Overhead Shower Head..... | 5 |
| Hand Shower..... | 6 |



Shower Valve

Side

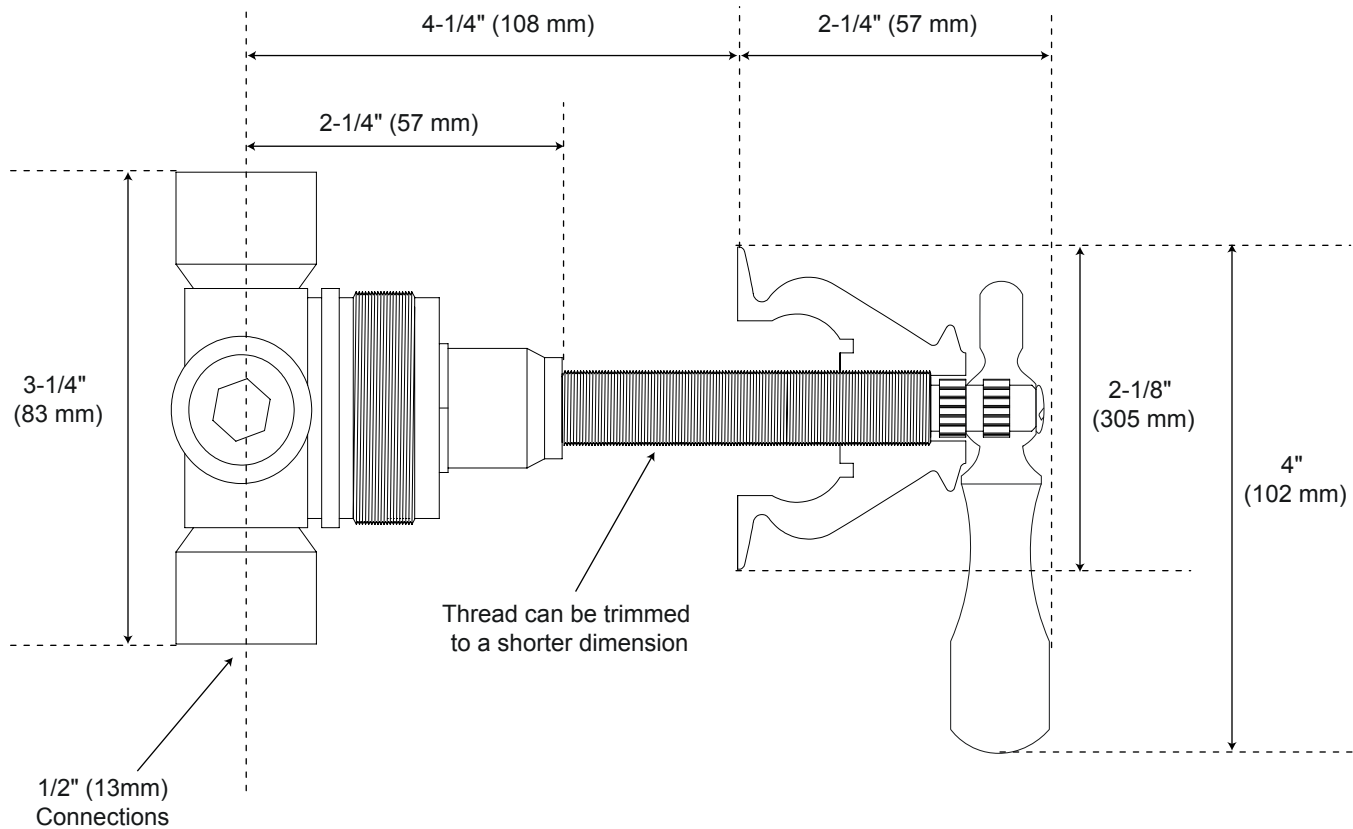


All product dimensions are nominal.



Diverter

Side

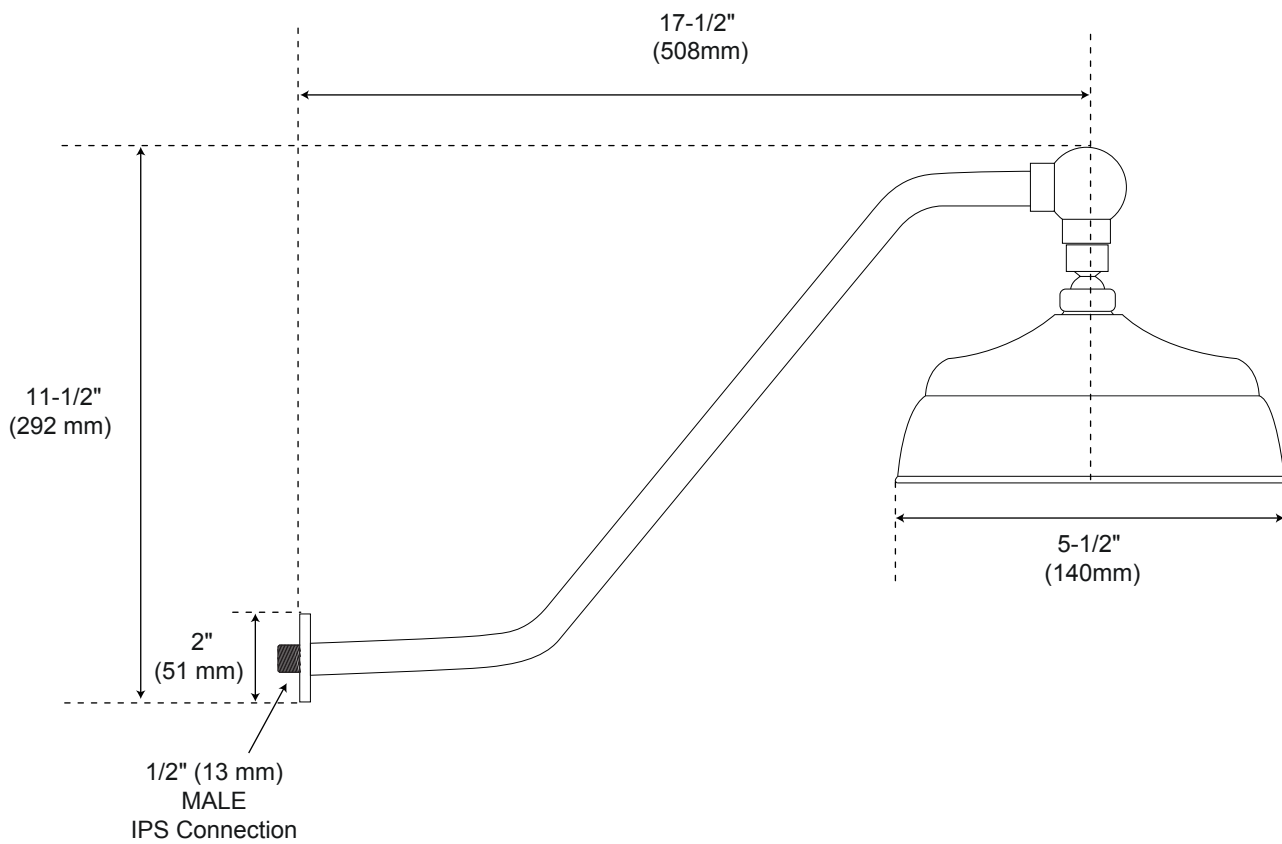


All product dimensions are nominal.

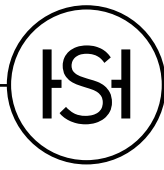


Wall Shower Head

Side

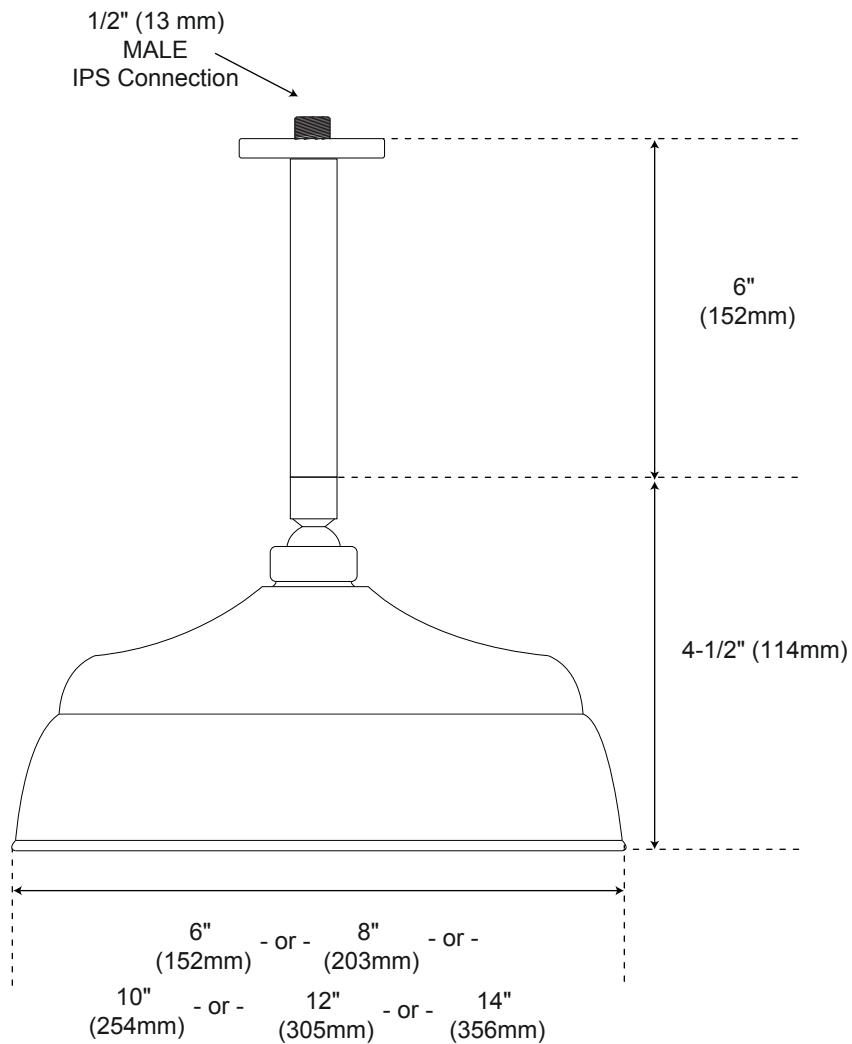


All product dimensions are nominal.



Overhead Shower Head

Side



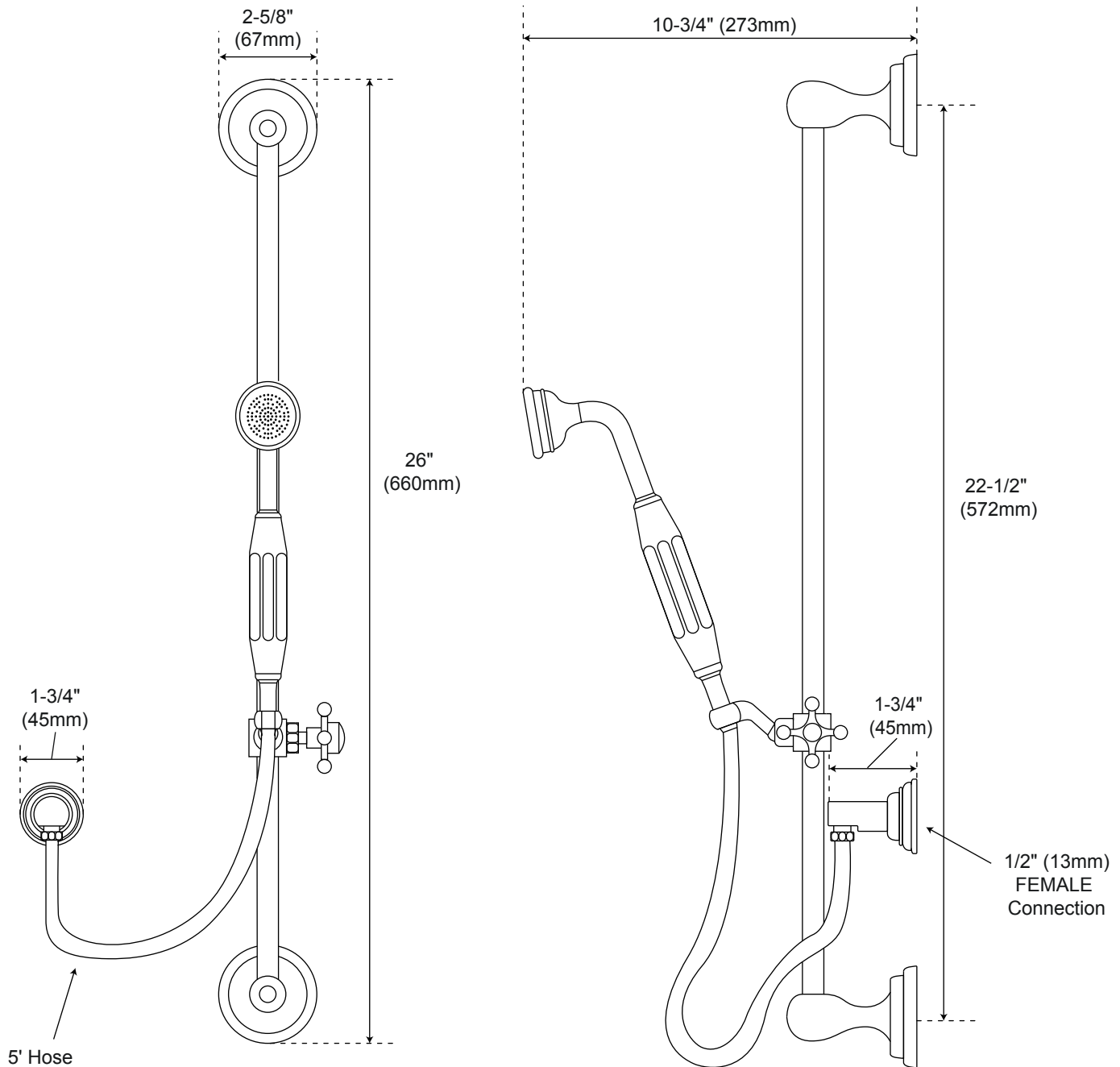
All product dimensions are nominal.



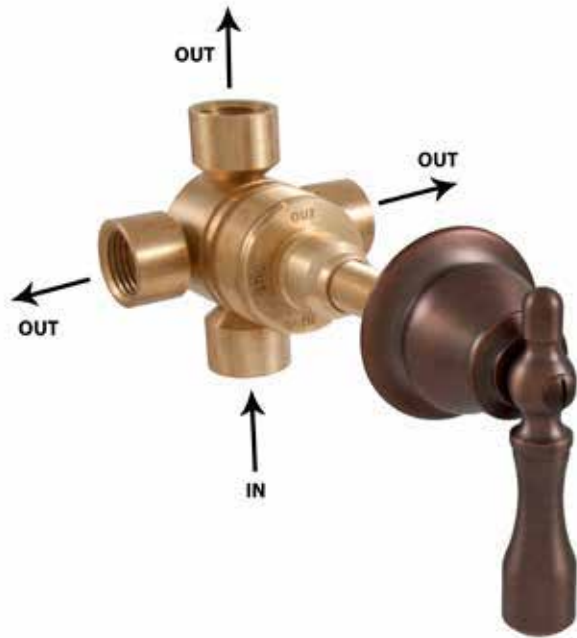
Handshower

Front

Side



All product dimensions are nominal.



All product dimensions are nominal.